



PARTS LIST

QUANTITY/VARIATION

NOTES:

- DRAWING E-AD-7021284-0-0, CHASSIS SLIDE ASSY, SHALL BE SHIPPED WITH THE RC25-BA AND THE RC25-CA DRIVES.
- DRAWING B-TC-RC25-0-DBU, SHALL BE SHIPPED WITH ALL RC25 VARIATIONS.

DRN.C. PUZZANGHERA DATE 24 OCT 83	DES.ENG.R. HUTNAK DATE 24 OCT 83	MFG.ENG.B. UPPSTROM DATE 24 OCT 83
CHK'D R. HUTNAK DATE 24 OCT 83	RESP. ENGP. HEARN DATE 24 OCT 84	NEXT HIGHER DOC. B-DD-RC25-0-DBU

ITEM NO.	DRAWING NO.	PART NO.	DESCRIPTION	QUANTITY/VARIATION										REFERENCE DESIGNATION			
				RC25-AA	RC25-BA	RC25-CA	RC25-DA	RC25-EA	RC25-FA								
1	E-UA-RC25-0-0	RC25-A	DRIVE TABLE TOP MASTER	1	-	-	-	-	-	-							
2	▲	RC25-B	DRIVE RACK MASTER	-	1	-	-	-	-	-							
3	↑	RC25-C	DRIVE RACK DUAL	-	-	1	-	-	-	-							
4	↓	RC25-D	DRIVE TABLE TOP SLAVE	-	-	-	1	-	-	-							
5	▼	RC25-E	DRIVE RACK ADD ON SLAVE	-	-	-	-	1	-	-							
6	E-UA-RC25-0-0	RC25-F	LCN - DRIVE	-	✓	-	-	-	1	-							
7	B-DD-RC25K-0	RC25K-DC	CARTRIDGE, DATA	1	1	2	1	1	1								
8	_____	1700150-02	POWER CORD	-	-	1	1	1	-								
9	_____	1700444-01	CABLE 37 COND	-	-	-	1	-	-								
10	_____	1700446-01	CABLE 15 COND	-	-	-	1	-	-								
11	B-TC-RC25-0-DBU	SEE NOTE 2	TABLE OF CONTENTS, RC25	1	1	1	1	1	1								
12	_____	EK-CRC25-IN	INSTALLATION GUIDE	1	1	1	1	1	1								
13	_____	EK-ORC25-OP	OPERATORS GUIDE	1	1	1	1	1	1								
14	D-AD-7021284-0-0	7021284-01	CHASSIS SLIDE ASSY	-	1	1	-	-	-								
15	D-AD-7021284-0-0	SEE NOTE 1	CHASSIS SLIDE ASSY (DWG)	-	1	1	-	-	-								
16	_____	3622554-02	LABEL, UNIT SELECT	1	1	1	1	1	1								
17	_____	3700806-01	PACKAGING INSTRUCTION	1	-	-	1	-	-								
18	_____	3700806-02	PACKAGING INSTRUCTION	-	1	1	-	-	-								
19	_____	3700806-03	PACKAGING INSTRUCTION	-	-	-	-	1	1								
20	A-PS-1700083-0-0	1700083-09	POWER CORD 120 VAC	1	1	1	-	-	-								
21	A-PS-1700083-0-0	1700083-10	POWER CORD 240 VAC	1	1	1	-	-	-								

ECO NO. INITIAL
A

<small>"THIS DRAWING AND SPECIFICATION, HEREIN, ARE THE PROPERTY OF DIGITAL EQUIPMENT CORPORATION AND SHALL NOT BE REPRODUCED OR COPIED OR USED IN WHOLE OR IN PART AS THE BASIS FOR THE MANUFACTURE OR SALE OF ITEMS WITHOUT WRITTEN PERMISSION. COPYRIGHT © 1984 DIGITAL EQUIPMENT CORPORATION"</small>	TITLE	ASSY. NO.	SIZE	CODE	NUMBER	REV.
	RC25 SHIPPING LIST	B-PL-RC25-0-DBU	B	PL	RC25-0-DBU	A
	SECTION	OF			SHEET	OF

SHO

" THE MATERIAL HEREIN IS FOR INFORMATION PURPOSES ONLY AND IS SUBJECT TO CHANGE WITHOUT NOTICE. DIGITAL EQUIPMENT CORPORATION ASSUMES NO RESPONSIBILITY FOR ANY ERRORS WHICH MAY APPEAR HEREIN."

DRAWING DIRECTORY

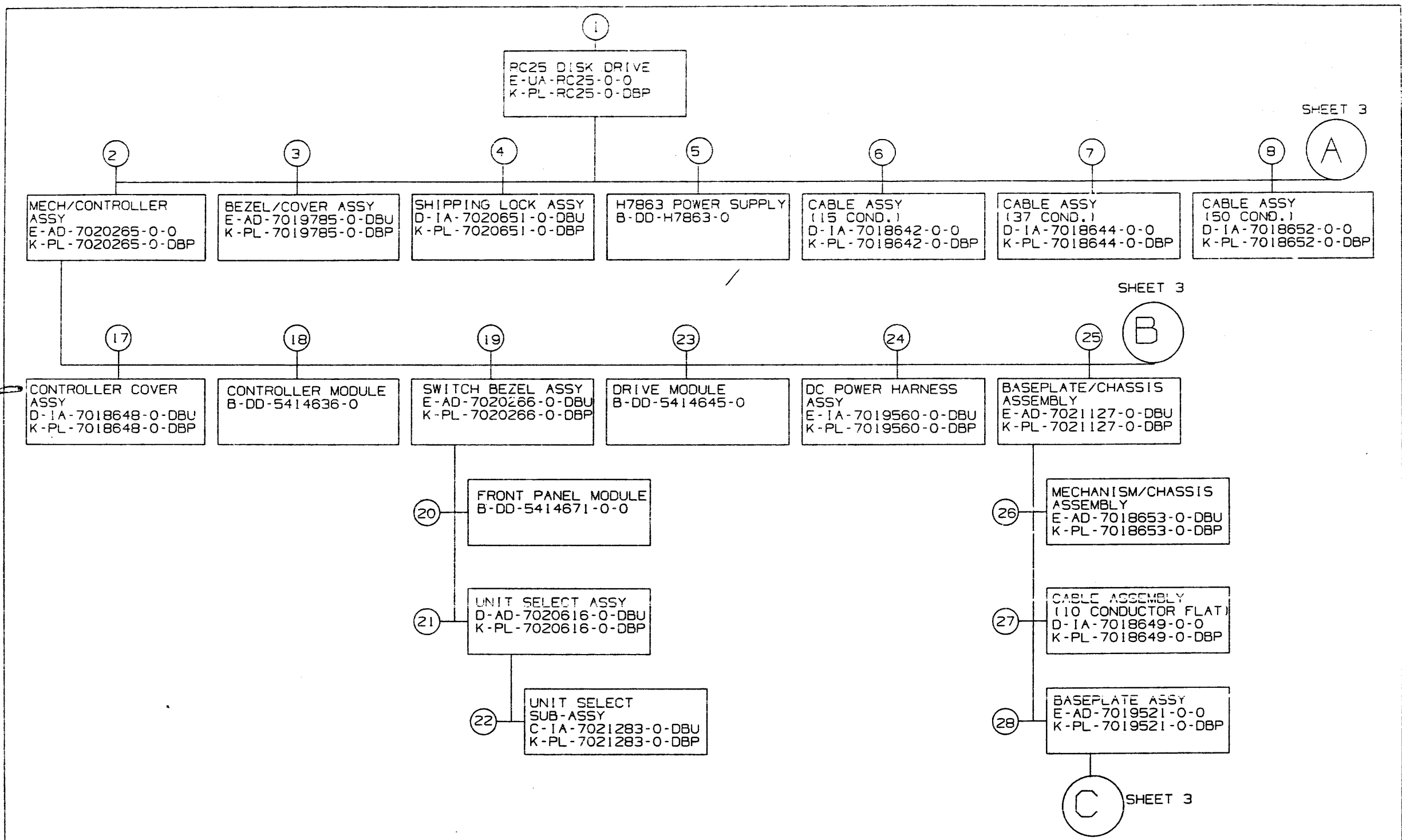
" THIS DRAWING AND SPECIFICATIONS, HEREIN, ARE THE PROPERTY OF DIGITAL EQUIPMENT CORPORATION AND SHALL NOT BE REPRODUCED OR COPIED OR USED IN WHOLE OR IN PART AS THE BASIS FOR THE MANUFACTURE OR SALE OF ITEMS WITHOUT WRITTEN PERMISSION." COPYRIGHT © 1984 DIGITAL EQUIPMENT CORPORATION.

UNIT VARIATIONS

VAR	TITLE
RC25-A	SINGLE DISK DRIVE/TABLE TOP MASTER, 120/240 VAC
RC25-B	SINGLE DISK DRIVE/RACK MOUNT MASTER 120/240 VAC
RC25-C	DUAL DISK DRIVE/RACK MOUNT 120/240 VAC
RC25-D	SINGLE DISK DRIVE/TABLE TOP SLAVE 120/240 VAC
RC25-E	SINGLE DISK DRIVE/RACK MOUNT SLAVE 120/240 VAC
RC25-F	SINGLE DISK DRIVE, 11/725 CONFIGURATION

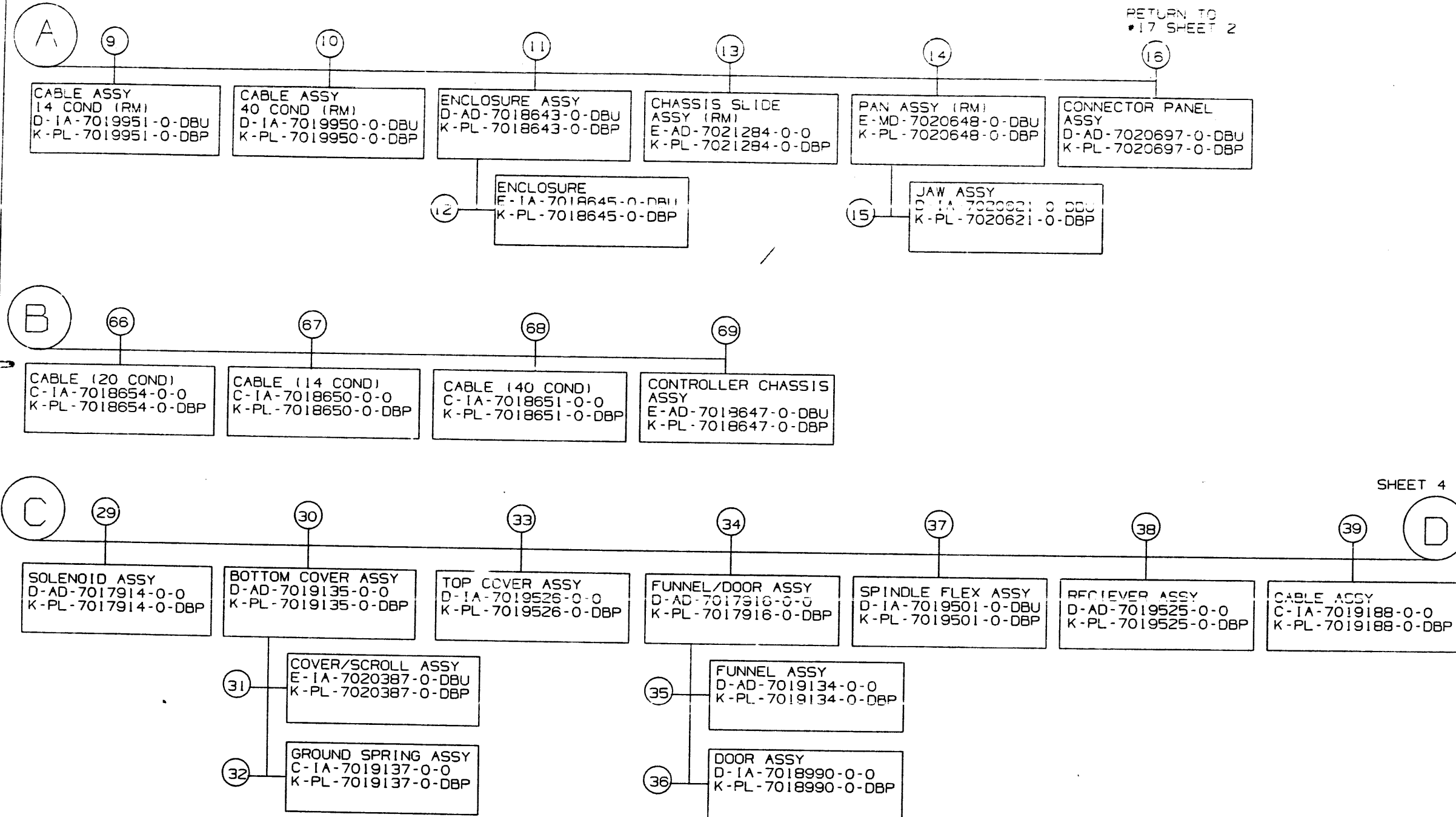
REVISIONS				USED ON OPTION/MODEL	DRN. G DRAYTON	DATE 12/9/82	TITLE RC25 DISK DRIVE								
				RC25-AA	CHK'D R BERTHIAUME	DATE 7/17/84	<div style="border: 1px solid black; padding: 2px;">digital</div> <table border="1" style="width: 100%;"> <tr> <td>SIZE CODE</td> <td>NUMBER</td> <td>REV.</td> </tr> <tr> <td>BDD</td> <td>RC25-0</td> <td>A</td> </tr> </table>			SIZE CODE	NUMBER	REV.	BDD	RC25-0	A
				SIZE CODE	NUMBER	REV.									
				BDD	RC25-0	A									
				RC25-BA	PROJ. ENG. R BERTHIAUME	DATE 12/9/82									
				RC25-CA	PROD. D. KLOSS	DATE 7/17/84									
				RC25-DA											
RC25-EA															
RC25-FA															
	SHEET 1 OF 12	TOP DOC. B-DD-RC25-0	DIST.												

SHO



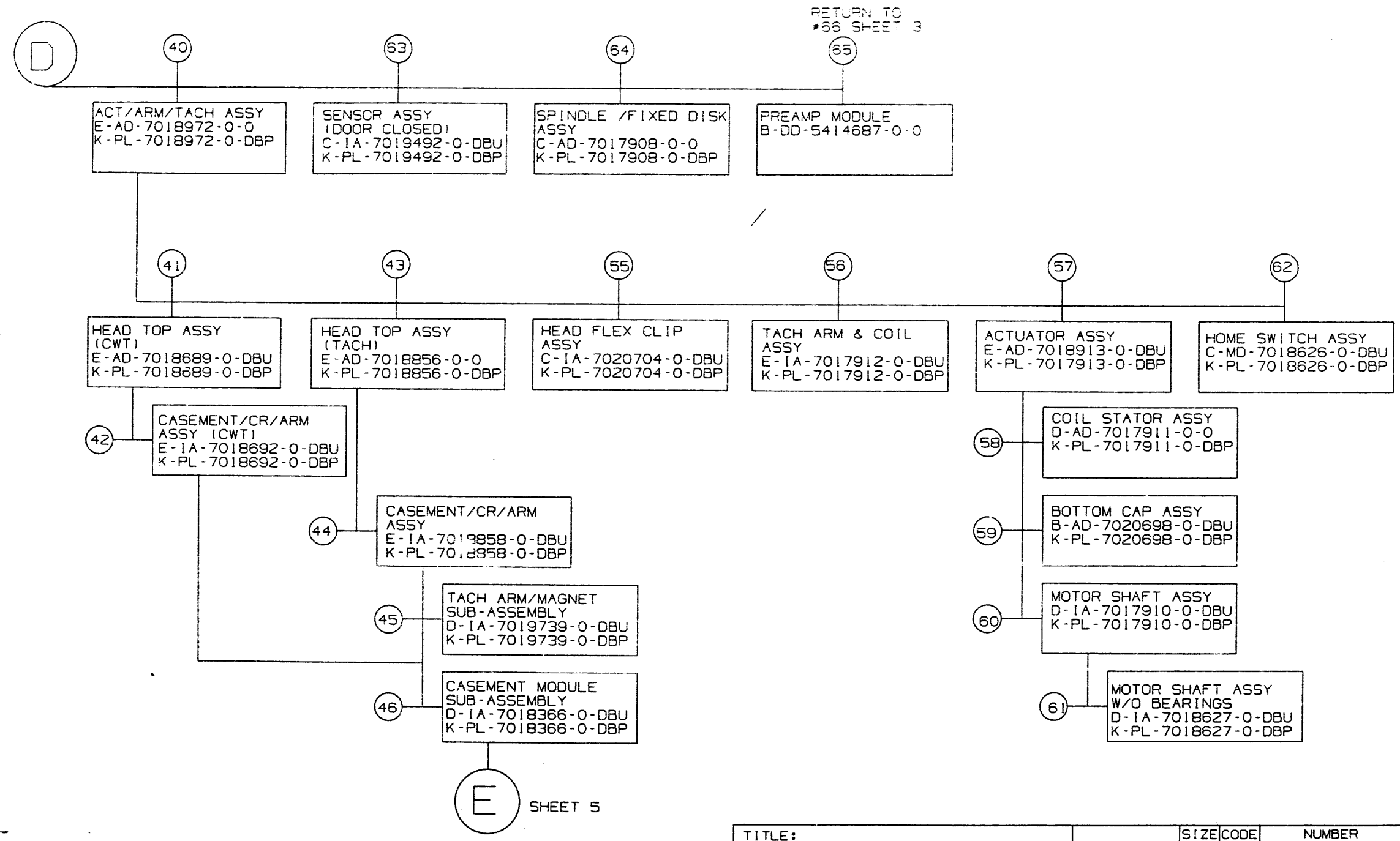
TITLE:	RC25 DISK DRIVE	SHEET 2 of 12	SIZE CODE	BDD	NUMBER	RC25-0	REV.	A
--------	-----------------	---------------	-----------	-----	--------	--------	------	---

RETURN TO
#17 SHEET 2

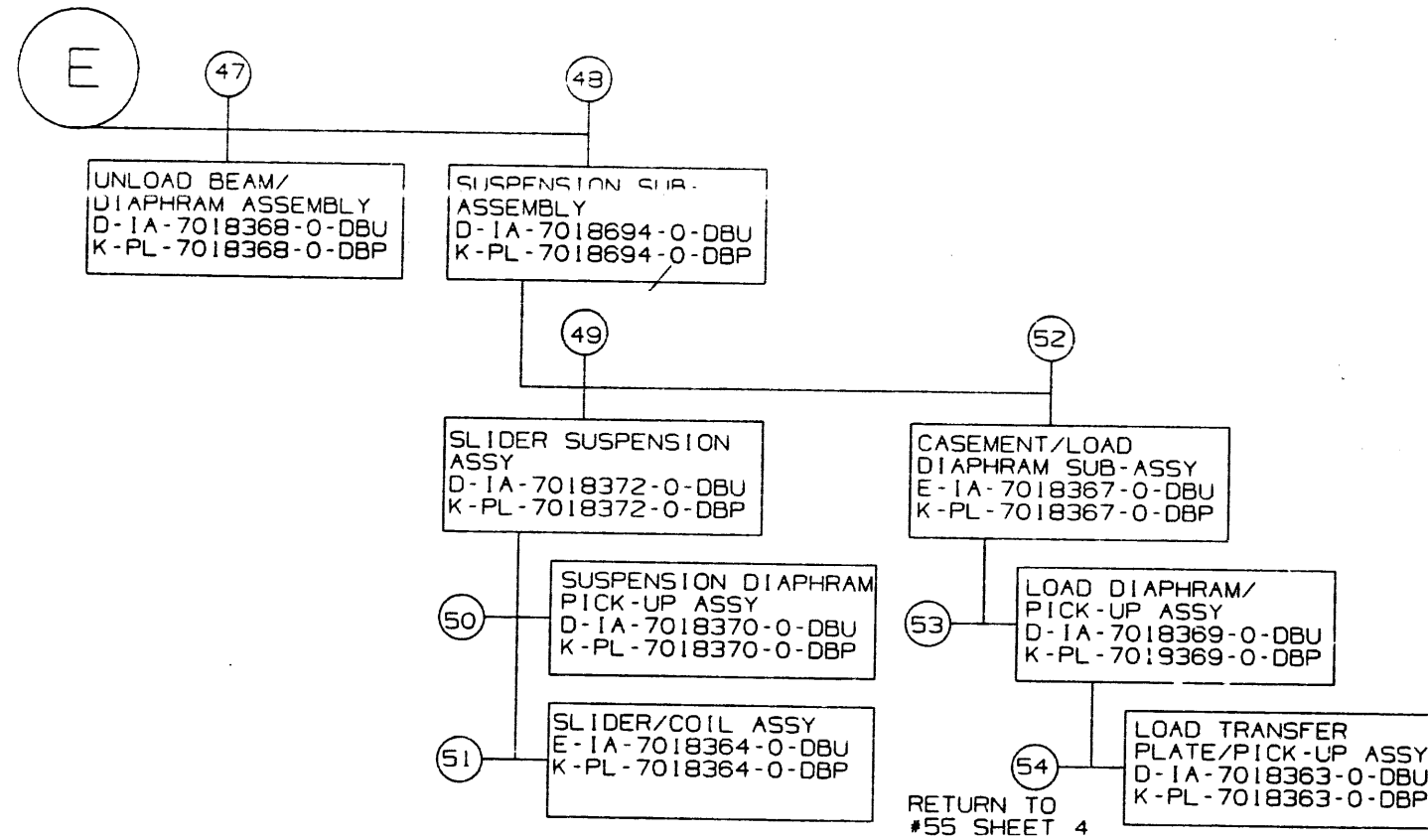


SHEET 4

TITLE: RC25 DISK DRIVE	SHEET 3 OF 12	SIZE CODE B DD	NUMBER RC25-0	REV. A
---------------------------	---------------	-------------------	------------------	-----------



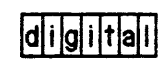
TITLE: RC25 DISK DRIVE	SHEET 4 OF 12	SIZE CODE B DD	NUMBER RC25-0	REV. A
---------------------------	---------------	-------------------	------------------	-----------



TITLE:	RC25 DISK DRIVE	SHEET 5 OF 12	SIZE CODE B DD	NUMBER RC25-0	REV. A
--------	-----------------	---------------	-------------------	------------------	-----------

FIND NO.	DRAWING NO.	DESCRIPTION	TYPE	FIND NO.	DRAWING NO.	DESCRIPTION	TYPE
	MPO1612-00	FIELD MAINTENANCE PRINT SET, RC25	-	3	E-AD-7019785-0-DBU	BEZEL/COVER ASSY	M
	B-TC-RC25-0-0	TABLE OF CONTENTS, RC25	-		K-PL-7019785-0-DBP	BEZEL/COVER ASSY (PARTS LIST)	-
	B-PL-RC25-0-0	SHIPPING LIST, RC25	-		E-MD-7428980-0-DBU	COVER, RACK MOUNT	M
	A-SP-RC25-0	DISK DRIVE, RC25 SPECIFICATION	-		E-MD-7427210-0-DBU	BEZEL, DUAL RACK	M
	A-PS-3700806-0-0	SHIPPING PACKAGE ASSEMBLY, RC25	-		C-MD-7429416-0-DBU	PIN, BULLET, RACK MOUNT	M
1	E-UA-RC25-0-0	RC25 UNIT ASSEMBLY	E/M		D-MD-7427211-0-DBU	PANEL BEZEL, RACK MOUNT	M
	K-PL-RC25-0-DBP	RC25 UNIT ASSEMBLY (PL)	-				
	B-DD-H7863-0	POWER SUPPLY (H7863) (REF)	E/M				
	D-AD-7018643-0-DBU	ENCLOSURE ASSEMBLY (REF)	M				
	C-MD-7425794-0-DBU	BRACKET SUPPORT, FRONT	M				
	C-MD-7425796-0-DBU	BRACKET SUPPORT, REAR	M	4	D-1A-7020651-0-DBU	SHIPPING LOCK ASSEMBLY	M
	C-MD-7425797-0-DBU	ALIGNMENT PIN	M		K-PL-7020651-0-DBP	SHIPPING LOCK ASSEMBLY (PARTS LIST)	-
	E-AD-7020265-0-0	MECHANISM/CONTROLLER ASSEMBLY (REF)	E/M		A-PS-3620213-0-0	LABEL, ("REMOVE")	M
	E-AD-7021284-0-DBU	CHASSIS SLIDE ASSY (REF)	M		A-PS-3620214-0-0	LABEL, ("ARROW")	M
	D-AD-7020697-0-DBU	CONNECTOR PANEL ASSEMBLY (REF)	M		E-1A-7426985-0-DBU	SHIPPING LOCK	M
	D-1A-7018642-0-0	CABLE ASSEMBLY, 15 POS. D-SUB (REF)	E/M				
	D-1A-7018644-0-0	CABLE ASSEMBLY, 37 POS. D-SUB (REF)	E/M				
	D-1A-7018652-0-0	CABLE ASSEMBLY, 50 POS. D-SUB (REF)	E/M				
	C-1A-7428134-0-DBU	COVER, MOUNTING HOLE	M				
	D-1A-7019950-0-DBU	CABLE ASSY, 40 COND (RM) REF	E/M	5	B-DD-H7863-0	H7863 POWER SUPPLY	-
	D-1A-7019951-0-DBU	CABLE ASSY, 14 COND (RM) REF	E/M		E-UA-H7863-0-DBU	H7863 POWER SUPPLY (UNIT ASSY)	E/M
	E-AD-7019785-0-DBU	BEZEL COVER ASSY (RM) REF	M		K-PL-H7863-0-DBP	H7863 POWER SUPPLY (PARTS LIST)	-
	E-MD-7020648-0-DBU	PAN ASSY (RM) REF	M				
	D-1A-7020651-0-DBU	SHIPPING LOCK ASSY (REF)	M				
	C-MD-7427296-0-DBU	GASKET, PAN (RM)	M				
	E-MD-7427135-0-DBU	BACK, PANEL (RM)	M				
				6	D-1A-7018642-0-0	CABLE ASSEMBLY, 15 POS. D-SUB	E/M
					K-PL-7018642-0-DBP	CABLE ASSEMBLY, 15 POS. D-SUB (PARTS LIST)	-
2	E-AD-7020265-0-0	MECHANISM/CONTROLLER ASSY	E/M				
	K-PL-7020265-0-DBP	MECHANISM/CONTROLLER ASSY (PARTS LIST)	-				
	E-1A-7019560-0-DBU	POWER HARNESS (REF)	E/M				
	B-DD-5414845-0	DRIVE MODULE (REF)	E	7	D-1A-7018644-0-0	CABLE ASSEMBLY, 37 POS. D-SUB (PARTS LIST)	E/M
	B-DD-5414636-0	CONTROLLER MODULE (REF)	E		K-PL-7018644-0-DBP	CABLE ASSEMBLY, 37 POS D-SUB (PARTS LIST)	-
	E-AD-7021127-0-DBU	BASEPLATE/CHASSIS ASSEMBLY (REF)	E/M				
	E-AD-7020266-0-DBU	SWITCH BEZEL ASSEMBLY (REF)	E/M				
	E-AD-7018647-0-DBU	CONTROLLER CHASSIS ASSEMBLY (REF)	M				
	D-1A-7018648-0-DBU	CONTROLLER COVER ASSEMBLY (REF)	M				
	E-MD-7428484-0-DBU	PLENUM	M	8	D-1A-7018652-0-0	CABLE ASSY, 50 POS. D-SUB	E/M
	A-PS-1218668-0-DBU	CENTRIFUGAL BLOWER	E/M		K-PL-7018652-0-DBP	CABLE ASSY, 50 POS. D-SUB (PARTS LIST)	-
	D-MD-7427627-0-DBU	GASKET, PLENUM	M				
	D-MD-7425803-0-DBU	BAIL WIRE	M				
	C-1A-7019654-0-0	CABLE ASSEMBLY, 20 COND (REF)	E/M				
	C-1A-7018650-0-0	CABLE ASSEMBLY, 14 COND (REF)	E/M				
	C-1A-7018651-0-0	CABLE ASSEMBLY, 40 COND (REF)	E/M	9	D-1A-7019951-0-DBU	CABLE ASSY, 14 COND (RM)	E/M
					K-PL-7019951-0-DBP	CABLE ASSY, 14 COND (RM) (PARTS LIST)	-

TYPE: E ELECTRICAL
M MECHANICAL
E/M ELECTRO/MECHANICAL



TITLE: RC25 DISK DRIVE
SHEET 6 OF 12
SIZE CODE: BDD
NUMBER: RC25-0
REV.: A

FIND NO.	DRAWING NO.	DESCRIPTION	TYPE	FIND NO.	DRAWING NO.	DESCRIPTION	TYPE
10	D-1A-7019950-0-DBU	CABLE ASSEMBLY, 40 COND (RM)	E/M	16	D-AD-7020697-0-DBU	CONNECTOR PANEL ASSEMBLY	E/M
	K-PL-7019950-0-DBP	CABLE ASSEMBLY, 40 COND (RM) (PARTS LIST)	-		K-PL-7020697-0-DBP	CONNECTOR PANEL (PARTS LIST)	-
					E-MD-7425795-0-DBU	PANEL, CONNECTOR	M
					A-PS-9009146-0-0	WASHER, WEAR	M
					A-PS-1217430-0-0	SPRING, COMPRESSION	M
					A-PS-9000026-0-0	FASTENER, 1/4 TURN	M
					A-PS-9008200-0-0	RETAINER	M
11	D-AD-7018643-0-DBU	ENCLOSURE ASSEMBLY	M				
	K-PL-7018643-0-DBP	ENCLOSURE ASSEMBLY (PARTS LIST)	-				
	E-MD-7425792-0-0	BEZEL, 10 INCH	M				
	E-1A-7018645-0-DBU	ENCLOSURE (REF)	M				
	A-PS-1221015-0-0	FOAM, ACOUSTIC	M				
				17	D-1A-7018648-0-DBU	CONTROLLER COVER ASSEMBLY	M
					K-PL-7018648-0-DBP	CONTROLLER COVER ASSEMBLY (PARTS LIST)	-
					D-MD-7425052-0-0	CONTROLLER COVER	M
					D-MD-7425046-0-0	COVER INSULATOR	M
12	E-1A-7018645-0-DBU	ENCLOSURE	M				
	K-PL-7018645-0-DBU	ENCLOSURE (PARTS LIST)	-				
	D-MD-7425800-0-DBU	SHELL, ENCLOSURE	M				
	D-1A-7425801-0-DBU	FLANGE, FRONT	M				
	D-1A-7425802-0-DBU	FLANGE, REAR	M				
	D-MD-7427345-0-DBU	STIFFNER	M	18	B-DD-5414636-0	CONTROLLER MODULE	-
	C-MD-7427346-0-DBU	RETAINER	M		D-UA-5414636-0-DBU	CONTROLLER MODULE (UNIT ASSY)	E/M
	D-MD-7428704-0-DBU	BRACKET, ANGLE	M		K-PL-5414636-0-DBP	CONTROLLER MODULE (PARTS LIST)	-
13	E-AD-7021284-0-0	CHASSIS SLIDE ASSEMBLY	M				
	K-PL-7021284-0-DBP	CHASSIS SLIDE ASSEMBLY (PARTS LIST)	-	19	E-AD-7020266-0-DBU	BEZEL SWITCH ASSEMBLY	E/M
	D-1A-7427209-0-DBU	BRACKET, CHASSIS SLIDE	M		K-PL-7020266-0-DBP	BEZEL SWITCH ASSEMBLY (PARTS LIST)	-
	A-PS-1220935-0-0	SLIDE, CHASSIS 2 SECTION LOCKING	M		B-DD-5414617-0	FRONT PANEL MODULE (REF)	E
	C-MD-7428863-0-DBU	BRACKET, RC25 SLIDE LOCKING	M		E-MD-7425081-0-DBU	BEZEL, SWITCH	M
					A-PS-3621012-0-0	LABEL, RC25 BEZEL SWITCH	M
					D-AD-7020616-0-DBU	UNIT SELECT ASSY (REF)	M
14	E-AD-7020648-0-DBU	PAN ASSEMBLY	M				
	K-PL-7020648-0-DBP	PAN ASSEMBLY (PARTS LIST)	-	20	B-DD-5414671-0	FRONT PANEL MODULE	E
	E-1A-7427154-0-DBU	PAN	M		D-UA-5414671-0-DBU	FRONT PANEL MODULE (UNIT ASSY)	E/M
	E-1A-7427079-0-DBU	HAT SECTION, FRONT	M		K-PL-5414671-0-DBP	FRONT PANEL MODULE (PARTS LIST)	-
	E-1A-7427080-0-DBU	HAT SECTION, REAR	M				
	D-1A-7020621-0-DBU	JAW ASSEMBLY (REF)	M				
15	D-1A-7020621-0-DBU	JAW ASSEMBLY	M	21	D-AD-7020616-0-DBU	UNIT SELECT ASSEMBLY	E/M
	K-PL-7020621-0-DBP	JAW ASSEMBLY (PARTS LIST)	-		K-PL-7020616-0-DBP	UNIT SELECT ASSEMBLY (PARTS LIST)	-
	C-MD-7428430-0-DBU	JAW, CLAMPING	M		A-PS-1228096-0-0	SWITCH, DIP	E/M
	D-MD-7428429-0-DBU	SLIDE, JAW	M		A-PS-3622554-0-0	LABEL	M
					A-PS-7021283-0-DBU	UNIT SELECT SUB-ASSEMBLY (REF)	M

TYPE: E ELECTRICAL
M MECHANICAL
E/M ELECTRO/MECHANICAL

digital

TITLE:

RC25 DISK DRIVE

SHEET 7 OF 12

SIZE CODE
B DD

NUMBER
RC25-0

REV.
A

DRB 108A

FIND NO.	DRAWING NO.	DESCRIPTION	TYPE	FIND NO.	DRAWING NO.	DESCRIPTION	TYPE
22	C-1A-7021283-0-DBU	UNIT SELECT SUB-ASSY	E/M	28	E-AD-7019521-0-0	BASEPLATE ASSEMBLY	E/M
	K-PL-7021283-0-DBP	UNIT SELECT SUB-ASSY (PARTS LIST)	-		K-PL-7019521-0-DBP	BASEPLATE ASSEMBLY (PARTS LIST)	-
	E-MD-7428517-0-DBU	COVER, UNIT SELECT	M		E-1A-7426332-0-DBU	BASEPLATE (DIECAST)	M
	E-MD-7428518-0-DBU	HOUSING, UNIT SELECT	M		D-MD-7427527-0-DBU	BRACKET, BELLCRANK	M
					C-MD-7427528-0-DBU	GUIDE, BELLCRANK	M
					C-MD-7425665-0-DBU	BELLCRANK	M
					C-MD-7425667-0-DBU	CAM, LINKAGE	M
23	B-DD-5414644-0	DRIVE MODULE	E/M		D-AD-7017914-0-0	SOLENOID ASSEMBLY (REF)	
	D-UA-5414644-0-0	DRIVE MODULE (UNIT ASSY)	E/M		D-1A-7019501-0-DBU	SPINDLE FLEX ASSEMBLY (REF)	E/M
	K-PL-5414644-0-DBP	DRIVE MODULE (PARTS LIST)	-		D-MD-7425664-0-DBU	CLAMP, FLEX CIRCUIT	M
					D-MD-7425662-0-DBU	GASKET, PC BOARD	M
					B-DD-5414687-0-0	PREAMP MODULE (REF)	E
					D-MD-7425663-0-DBU	CLAMP, PC BOARD	M
					D-MD-7425078-0-DBU	RECIEVER, BEARING	M
24	E-1A-7019560-0-DBU	POWER HARNESS ASSEMBLY, DC	E/M		C-MD-7426148-0-DBU	LOCATOR, CARTRIDGE	M
	K-PL-7019560-0-DBP	POWER HARNESS ASSEMBLY, DC (PARTS LIST)	-		C-MD-7425661-0-DBU	EJECTOR, TRIGGER	M
	D-MD-7425045-0-DBU	BRACKET, INSULATOR	M		A-PS-1218871-0-0	FILTER, RECIRCULATING/MAKE-UP	M
					C-AD-7017908-0-0	SPINDLE/FIXED DISK ASSEMBLY (REF)	M
					A-PS-1217692-0-0	SPINDLE DRIVE MOTOR, 24V DC BRUSHLESS	E/M
					E-MD-7425072-0-DBU	COVER, INNER	M
25	E-AD-7021127-0-DBU	BASEPLATE/CHASSIS ASSEMBLY	M		C-MD-7425088-0-DBU	GROUND BUTTON	M
	K-PL-7021127-0-DBP	BASEPLATE/CHASSIS ASSEMBLY (PARTS LIST)	-		D-MD-7425069-0-DBU	GASKET, BOTTOM COVER	M
	E-AD-7019521-0-0	BASEPLATE ASSEMBLY (REF)	M		D-AD-7019135-0-0	BOTTOM COVER ASSEMBLY (REF)	M
	E-AD-7018683-0-DBU	MECHANISM/CHASSIS ASSEMBLY (REF)	M		D-MD-7425068-0-DBU	COVER, DISK	M
	D-1A-7018640-0-DBU	CABLE ASSEMBLY, 10 CONDUCTOR (REF)	E/M		C-1A-7019492-0-DBU	SENSOR ASSEMBLY DOOR CLOSED (REF)	E/M
					D-AD-7019525-0-DBU	RECIEVER ASSEMBLY (REF)	M
					B-MD-7425687-0-0	SHAFT, RECIEVER	M
					B-PS-1218850-0-0	BUSHING, RECIEVER	M
					D-MD-7425666-0-DBU	LINK, SIDE	M
26	E-AD-7018653-0-DBU	MECHANISM CHASSIS ASSEMBLY	M		D-AD-7017916-0-0	FUNNEL/DOOR ASSEMBLY (REF)	M
	K-PL-7018653-0-DBP	MECHANISM CHASSIS ASSEMBLY (PARTS LIST)	-		C-1A-7019188-0-0	CABLE ASSEMBLY (REF)	E/M
	C-MD-7428736-0-DBU	LUG, CHASSIS	M		E-AD-7018972-0-0	ACTUATOR, ARM/TACHOMETER ASSEMBLY (REF)	M
	D-MD-7425599-0-DBU	BRACKET (FRONT SHOCK MOUNT)	M		D-1A-7019526-0-0	COVER ASSEMBLY, TOP (REF)	M
	D-MD-7425600-0-DBU	BRACKET (REAR SHOCK MOUNT)	M		C-MD-7426829-0-DBU	SHIELD, ACTUATOR	M
	A-PS-1219686-0-0	MOUNT, ISOLATION	M				
	E-1A-7428790-0-DBU	CHASSIS, MECHANISM	M				
				29	D-AD-7017914-0-0	SOLENOID/BRACKET ASSEMBLY	E/M
					K-PL-7017914-0-DBP	SOLENOID/BRACKET ASSEMBLY (PARTS LIST)	
27	D-1A-7018649-0-0	CABLE ASSEMBLY, 10 CONDUCTOR FLAT	E/M		A-PS-1219815-0-0	SOLENOID, 24V	E/M
	K-PL-7018649-0-DBP	CABLE ASSEMBLY, 10 CONDUCTOR FLAT (PARTS LIST)	-		A-PS-1218840-0-0	COMPRESSION SPRING	M
					C-MD-7425054-0-DBU	SOLENOID BRACKET	M
					D-MD-7427566-0-DBU	SOLENOID CAP	M
					A-PS-1220836-0-DBU	COMPRESSION SPRING	M
					C-MD-7427567-0-DBU	PLUNGER RETAINER	M

TYPE: E ELECTRICAL
M MECHANICAL
E/M ELECTRO/MECHANICAL

digital

TITLE:

RC25 DISK DRIVE

SHEET 8 OF 12

SIZE CODE
B DD

NUMBER
RC25-0

REV.
A

FIND NO.	DRAWING NO.	DESCRIPTION	TYPE	FIND NO.	DRAWING NO.	DESCRIPTION	TYPE
30	D-AD-7019135-0-0	BOTTOM COVER ASSEMBLY	M	35	D-AD-7019134-0-0	FUNNEL ASSEMBLY	M
	K-PL-7019135-0-DBP	BOTTOM COVER ASSEMBLY (PARTS LIST)	-		K-PL-7019134-0-DBP	FUNNEL ASSEMBLY (PARTS LIST)	-
	E-1A-7020387-0-DBU	COVER/SCROLL ASSEMBLY (REF)	M		C-MD-7425092-0-0	PAWL	M
	C-1A-7019137-0-0	GROUND SPRING ASSEMBLY (REF)	M		C-MD-7425093-0-0	PAWL SHAFT	M
					C-PS-1218838-0-DBU	PAWL SPRING	M
					D-MD-7425094-0-0	LINK	M
					E-MD-7428239-0-DBU	FUNNEL. MOUNT SENSOR	M
31	E-1A-7020387-0-DBU	COVER/SCROLL ASSEMBLY	M	36	D-1A-7018990-0-0	DOOR ASSY	M
	K-PL-7020387-0-DBP	COVER/SCROLL ASSEMBLY (PARTS LIST)	-		K-PL-7018990-0-DBP	DOOR ASSY (PARTS LIST)	-
	E-MD-7426331-0-DBU	COVER, BOTTOM	M		C-MD-7427254-0-DBU	DOOR FOAM	M
	F-MD-7427919-0-DBU	COVER, SCROLL	M		C-MD-7427302-0-DBU	DOOR GASKET CLAMP	M
					E-MD-7428187-0-DBU	DOOR, FUNNEL	M
					C-MD-7427255-0-DBU	DOOR, GASKET	M
32	C-1A-7019137-0-0	GROUND SPRING ASSEMBLY	M	37	D-1A-7019501-0-DBU	SPINDLE FLEX ASSEMBLY	E/M
	K-PL-7019137-0-DBP	GROUND SPRING ASSEMBLY (PARTS LIST)	-		K-PL-7019501-0-DBP	SPINDLE FLEX ASSEMBLY (PARTS LIST)	-
	D-MD-7425071-0-DBU	GROUND SPRING	M		A-PS-1700262-0-0	FLEXIBLE CIRCUIT	E
	B-MD-7425672-0-DBU	GROUND CONTACT	M		A-PS-1912785-0-0	OPTICAL SWITCH	E
33	D-1A-7019526-0-0	TOP COVER ASSEMBLY	M	38	D-AD-7019525-0-0	RECEIVER ASSEMBLY	M
	K-PL-7019526-0-DBP	TOP COVER ASSEMBLY (PARTS LIST)	-		K-PL-7019525-0-DBP	RECEIVER ASSEMBLY (PARTS LIST)	-
	E-MD-7425096-0-DBU	TOP COVER	M		E-1A-7425076-0-DBU	RECEIVER	M
	C-MD-7425097-0-DBU	GASKET STRIP	M		C-MD-7425686-0-DBU	RECEIVER GASKET	M
					D-MD-7425613-0-DBU	LATCH	M
					A-PS-1219605-0-0	SWITCH, SPST	E/M
					B-MD-1218775-0-DBU	LATCH SPRING	M
					C-MD-7425612-0-DBU	LATCH PIVOT	M
34	D-AD-7017916-0-0	FUNNEL/DOOR ASSEMBLY	M	39	C-1A-7019188-0-0	CABLE ASSEMBLY	E/M
	K-PL-7017916-0-DBP	FUNNEL/DOOR ASSEMBLY (PARTS LIST)	-		K-PL-7019188-0-DBP	CABLE ASSEMBLY (PARTS LIST)	-
	C-PS-1218701-0-DBU	RECEIVER SPRING	M				
	D-AD-7019134-0-0	FUNNEL ASSEMBLY (REF)	M				
	D-1A-7018990-0-0	DOOR ASSEMBLY (REF)	M				

TYPE: E ELECTRICAL
M MECHANICAL
E/M ELECTRO/MECHANICAL



TITLE: RC25 DISK DRIVE
SHEET 9 OF 12
SIZE CODE B DD
NUMBER RC25-0
REV. A

DRB 108A

FIND NO.	DRAWING NO.	DESCRIPTION	TYPE	FIND NO.	DRAWING NO.	DESCRIPTION	TYPE
40	E-AD-7018972-0-0	ACTUATOR/ARM/TACHOMETER ASSEMBLY	E/M	44	E-1A-7018858-0-DBU	CASEMENT/CR/ARM ASSEMBLY (TACH)	M
	K-PL-7018972-0-DBP	ACTUATOR/ARM/TACHOMETER ASSEMBLY (PARTS LIST)	-		K-PL-7018858-0-DBP	CASEMENT/CR/ARM ASSEMBLY (TACH) (PARTS LIST)	-
	A-SP-7018972-0-1	ACTUATOR/ARM./TACH ASSY TEST EQUIP & PROCEDURE	-		D-1A-7019739-0-DBU	TACH ARM/MAGNET SUB-ASSEMBLY (REF)	M
	D-MD-7425877-0-DBU	ACTUATOR SHIM	M		E-MD-7425623-0-DBU	FLEX CIRCUIT	E
	D-MD-7425061-0-DBU	TACHOMETER MOUNT	M		D-1A-7018366-0-DBU	CASEMENT MODULE SUB-ASSEMBLY (REF)	M
	E-AD-7018689-0-DBU	HEAD TOP ASSEMBLY (CWT) UP (REF)	M				
	E-AD-7018689-1-DBU	HEAD TOP ASSEMBLY (CWT) DOWN (REF)	E/M				
	B-MD-7425056-0-DBU	PRECISION SPACER	M				
	E-AD-7018856-0-0	HEAD TOP ASSEMBLY (TACH) (REF)	E/M				
	C-MD-7425058-0-DBU	SHAFT CAP	M	45	D-1A-7019739-0-DBU	TACH ARM/MAGNET SUB-ASSEMBLY	M
	E-1A-7017912-0-DBU	TACHOMETER ARMATURE & COIL ASSEMBLY (REF)	E/M		K-PL-7019739-0-DBP	TACH ARM/MAGNET SUB-ASSEMBLY (PARTS LIST)	-
	C-MD-7018626-0-DBU	HOME SWITCH ASSEMBLY (REF)	E/M		E-MD-7424711-0-DBU	ARM, TACHOMETER (CASTING)	M
	D-MD-7425057-0-DBU	ACTUATOR CAM	M		A-PS-1218907-0-0	TACHOMETER, MAGNET	M
	C-1A-7020204-0-DBU	HEAD FLEX CLIP ASSEMBLY (REF)	M				
	E-AD-7017913-0-DBU	ACTUATOR ASSEMBLY (REF)	E/M				
	D-MD-7425066-0-0	CRASHSTOP, ARM	M				
	C-AD-7020301-0-DBU	ACTUATOR GROUND	M				
	A-PS-9010446-0-0	WASHER, SHAFT CAP	M	46	D-1A-7018366-0-DBU	CASEMENT MODULE SUB-ASSEMBLY	M
					K-PL-7018366-0-DBP	CASEMENT MODULE SUB-ASSEMBLY (PARTS LIST)	-
					D-1A-7018693-0-DBU	UNLOAD DIAPHRAM SUB-ASSEMBLY (REF)	M
41	E-AD-7018689-0-DBU	HEAD TOP ASSEMBLY (CWT) UP	M	47	D-1A-7018368-0-DBU	UNLOAD BEAM/DIAPHRAM ASSEMBLY	M
	K-PL-7018689-0-DBP	HEAD TOP ASSEMBLY (CWT) UP (PARTS LIST)	-		K-PL-7018368-0-DBP	UNLOAD BEAM/DIAPHRAM ASSEMBLY (PARTS LIST)	-
	E-1A-7018692-0-DBU	CASEMENT/CR/ARM ASSEMBLY (CWT) (REF)	M		E-MD-7425370-0-DBU	UNLOAD DIAPHRAM	M
	D-MD-7425638-0-0	LOAD ACTUATOR ARM	M		E-MD-7425369-0-DBU	UNLOAD BEAM	M
42	E-1A-7018692-0-DBU	CASEMENT/CR/ARM ASSEMBLY (CWT)	E/M	48	D-1A-7018694-0-DBU	SUSPENSION SUB-ASSEMBLY	M
	K-PL-7018692-0-DBP	CASEMENT/CR/ARM ASSEMBLY (CWT) (PARTS LIST)	-		K-PL-7018694-0-DBP	SUSPENSION SUB-ASSEMBLY (PARTS LIST)	-
	E-MD-7424710-0-DBU	ARM COUNTER WEIGHT, MACHINED	M		E-1A-7018367-0-DBU	CASEMENT/LOAD DIAPHRAM SUB-ASSEMBLY (REF)	M
	D-1A-7018366-0-DBU	CASEMENT MODULE SUB-ASSEMBLY (REF)	M		E-1A-7018372-0-DBU	SLIDER/SUSPENSION ASSEMBLY (REF)	M
	E-MD-7425623-0-DBU	FLEX CIRCUIT	M				
43	E-AD-7018856-0-0	HEAD TOP ASSEMBLY (TACH)	M	49	D-1A-7018372-0-DBU	SLIDER/SUSPENSION ASSEMBLY	M
	E-AD-7018856-0-DBP	HEAD TP ASSEMBLY (TACH) (PARTS LIST)	-		K-PL-7018372-0-DBP	SLIDER/SUSPENSION ASSEMBLY (PARTS LIST)	-
	E-1A-7018858-0-DBU	CASEMENT/CR/ARM ASSEMBLY (TACH) REF	M		D-1A-7018370-0-DBU	SUSPENSION DIAPHRAM/PICK-UP (REF)	M
	D-MD-7425638-0-DBU	LOAD ACTUATOR ARM	M		E-1A-7018364-0-DBU	SLIDER/COIL ASSEMBLY (REF)	M

TYPE: E ELECTRICAL
M MECHANICAL
E/M ELECTRO/MECHANICAL



TITLE: RC25 DISK DRIVE
SHEET 10 OF 12
SIZE CODE BDD
NUMBER RC25-0
REV. A

FIND NO.	DRAWING NO.	DESCRIPTION	TYPE	FIND NO.	DRAWING NO.	DESCRIPTION	TYPE
50	D-1A-7018370-0-DBU	SUSPENSION DIAPHRAM/PICK-UP ASSEMBLY	E/M	56	E-1A-7017912-0-DBU	TACHOMETER ARMATURE & COIL ASSEMBLY	M
	K-PL-7018370-0-DBP	SUSPENSION DIAPHRAM/PICK-UP ASSEMBLY (PARTS LIST)	-		K-PL-7017912-0-DBP	TACHOMETER ARMATURE & COIL ASSEMBLY (PARTS LIST)	-
	D-MD-7425366-0-DBU	SUSPENSION DIAPHRAM	E/M		D-MD-7425059-0-DBU	TACHOMETER ARMATURE	M
	D-MD-7425353-0-DBU	SUSPENSION PICK-UP	M		C-MD-7425734-0-DBU	TACHOMETER FILLER	M
					C-MD-7427155-0-DBU	FLEX CIRCUIT	E
					B-MD-7425060-0-DBU	TACHOMETER SPACER	M
51	E-1A-7018364-0-DBU	SLIDER/COIL ASSEMBLY	E/M	57	E-AD-7017913-0-DBU	ACTUATOR ASSEMBLY	E/M
	K-PL-7018364-0-DBP	SLIDER/COIL ASSEMBLY (PARTS LIST)	-		K-PL-7017913-0-DBP	ACTUATOR ASSEMBLY (PARTS LIST)	-
	E-MD-7425358-0-DBU	SLIDER	E/M		D-1A-7017910-0-DBU	MOTOR SHAFT ASSEMBLY (REF)	M
	C-MD-7425357-0-DBU	CABLE SHEATH	E/M		C-MD-7425605-0-DBU	ARM STACK WASHER	M
					D-MD-7424121-0-0	TOP CAP	M
					D-AD-7017911-0-0	COIL/STATOR ASSEMBLY (REF)	E/M
					B-AD-7020698-0-DBU	BOTTOM CAP ASSEMBLY (REF)	M
52	E-1A-7018367-0-DBU	CASEMENT/LOAD DIAPHRAM SUB-ASSEMBLY	E/M		C-MD-7425065-0-DBU	BEARING SPACER	M
	K-PL-7018367-0-DBP	CASEMENT/LOAD DIAPHRAM SUB-ASSEMBLY (PARTS LIST)	-		A-PS-1219331-0-0	FLAT WASHER	M
	E-MD-7425351-0-DBU	CASEMENT	E/M		A-PS-9009939-0-0	WAVE SPRING	M
	D-1A-7018369-0-DBU	LOAD DIAPHRAM/PICK-UP ASSEMBLY (REF)	E/M		C-MD-7425643-0-DBU	PRELOAD NUT	M
							M
53	D-1A-7018369-0-DBU	LOAD DIAPHRAM/PICK-UP ASSEMBLY	M	58	D-AD-7017911-0-0	COIL/STATOR ASSEMBLY	M
	K-PL-7018369-0-DBP	LOAD DIAPHRAM/PICK-UP ASSEMBLY (PARTS LIST)	-		K-PL-7017911-0-DBP	COIL/STATOR ASSEMBLY (PARTS LIST)	-
	E-MD-7425364-0-DBP	LOAD DIAPHRAM	E/M		E-MD-7425062-0-DBU	STATOR, HOUSING	M
	D-1A-7018363-0-DBU	LOAD TRANSFER PLATE/PICK-UP ASSEMBLY (REF)	E/M				
54	D-1A-7018363-0-DBU	LOAD TRANSFER PLATE/PICK-UP	M	59	B-AD-7020698-0-DBU	BOTTOM CAP ASSEMBLY	M
	K-PL-7018363-0-DBP	LOAD TRANSFER PLATE/PICK-UP	-		K-PL-7020698-0-DBP	BOTTOM CAP ASSEMBLY (PARTS LIST)	-
	D-MD-7425356-0-DBU	LOAD TRANSFER PLATE	M		D-MD-7424122-0-0	BOTTOM CAP	M
	D-MD-7425361-0-DBU	TRANSFER PLATE PICK-UP	M		A-PS-1221493-0-0	BALL PLUNGER, SET SCREW	M
							M
55	C-1A-7020704-0-DBU	HEAD FLEX CLIP ASSEMBLY	E/M	60	D-1A-7017910-0-DBU	MOTOR SHAFT ASSEMBLY	M
	K-PL-7020704-0-DBP	HEAD FLEX CLIP ASSEMBLY (PARTS LIST)	-		K-PL-7017910-0-DBP	MOTOR SHAFT ASSEMBLY (PARTS LIST)	-
	C-MD-7425635-0-DBU	CLIP, HEAD FLEX	M		D-1A-7018627-0-DBU	MOTOR SHAFT ASSEMBLY W/O BEARINGS (REF)	M
	C-MD-7428791-0-DBU	STRIP, COMPRESSION	M		A-PS-1218834-0-0	BALL BEARING	M
					C-MD-7425735-0-DBU	BEARING RETAINER	M

TYPE: E ELECTRICAL
M MECHANICAL
E/M ELECTRO/MECHANICAL



TITLE: RC25 DISK DRIVE
SHEET 11 OF 12
SIZE CODE BDD
NUMBER RC25-0
REV. A

FIND NO.	DRAWING NO.	DESCRIPTION	TYPE	FIND NO.	DRAWING NO.	DESCRIPTION	TYPE
61	D-1A-7018627-0-DBU	MOTOR SHAFT ASSEMBLY W/O BEARINGS	M	66	D-1A-7018654-0-0	CABLE ASSEMBLY, 20 COND	E/M
	K-PL-7018627-0-DBP	MOTOR SHAFT ASSEMBLY W/O BEARINGS (PARTS LIST)	-		K-PL-7018654-0-DBP	CABLE ASSEMBLY, 20 COND (PARTS LIST)	-
	D-MD-7425064-0-DBU	MOTOR SHAFT	M				
	D-MD-7425063-0-DBU	MOTOR MAGNET	E/M				
62	C-MD-7018626-0-DBU	HOME SWITCH ASSEMBLY	E/M	67	D-1A-7018650-0-0	CABLE ASSEMBLY, 14 COND	E/M
	K-PL-7018626-0-DBP	HOME SWITCH ASSEMBLY	-		K-PL-7018650-0-DBP	CABLE ASSEMBLY, 14 COND (PARTS LIST)	-
	B-MD-7425634-0-DBU	HOME SWITCH BRACKET	M				
	A-PS-1219951-0-0	MICRO SWITCH SPST	E/M				
63	C-1A-7019492-0-DBU	SENSOR ASSEMBLY (DOOR CLOSED)	E/M	68	D-1A-7018651-0-0	CABLE ASSEMBLY, 40 COND	E/M
	K-PL-7019492-0-DBP	SENSOR ASSEMBLY (DOOR CLOSED) (PARTS LIST)	-		K-PL-7018651-0-DBP	CABLE ASSEMBLY, 40 COND (PARTS LIST)	-
	A-PS-1912785-0-0	OPTICAL SWITCH	E				
	A-PS-1700293-0-DBU	FLEXIBLE CIRCUIT	E	69	E-AD-7018647-0-DBU	CONTROLLER CHASSIS ASSEMBLY	M
					K-PL-7018647-0-DBP	CONTROLLER CHASSIS ASSEMBLY (PARTS LIST)	-
					D-1A-7425842-0-DBU	CONTROLLER CHASSIS	M
					D-MD-7425048-0-0	CHASSIS INSULATOR	M
					D-MD-7425082-0-0	HINGE POST	M
					D-1A-7425798-0-DBU	BRACKET, MOUNTING	M
64	C-AD-7017908-0-0	SPINDLE/FIXED DISK ASSEMBLY	M		C-1A-7426134-0-0	MOUNTING BRACKET RIGHT HAND	M
	K-PL-7017908-0-DBP	SPINDLE/FIXED DISK ASSEMBLY (PARTS LIST)	-		C-MD-7430485-0-DBU	NUT, SHOULDER	M
	E-PS-1218776-0-DBU	SPINDLE	M				
	C-MD-1219021-0-DBU	MAGNET RING	M				
	A-SP-7425787-0-0	DISK, RC25 SPECIFICATION	M				
	D-MD-7425095-0-DBU	CLAMP RING	M				
65	B-DD-5414687-0	PRE AMP MODULE	-				
	D-UA-5414687-0-0	PRE AMP MODULE (UNIT ASSY)	E/M				
	K-PL-5414687-0-DBP	PRE AMP MODULE (PARTS LIST)	-				

TYPE: E ELECTRICAL
M MECHANICAL
E/M ELECTRO/MECHANICAL



TITLE: RC25 DISK DRIVE

SHEET 12 OF 12

SIZE CODE BDD

NUMBER RC25-0

REV. A

DRB 108A

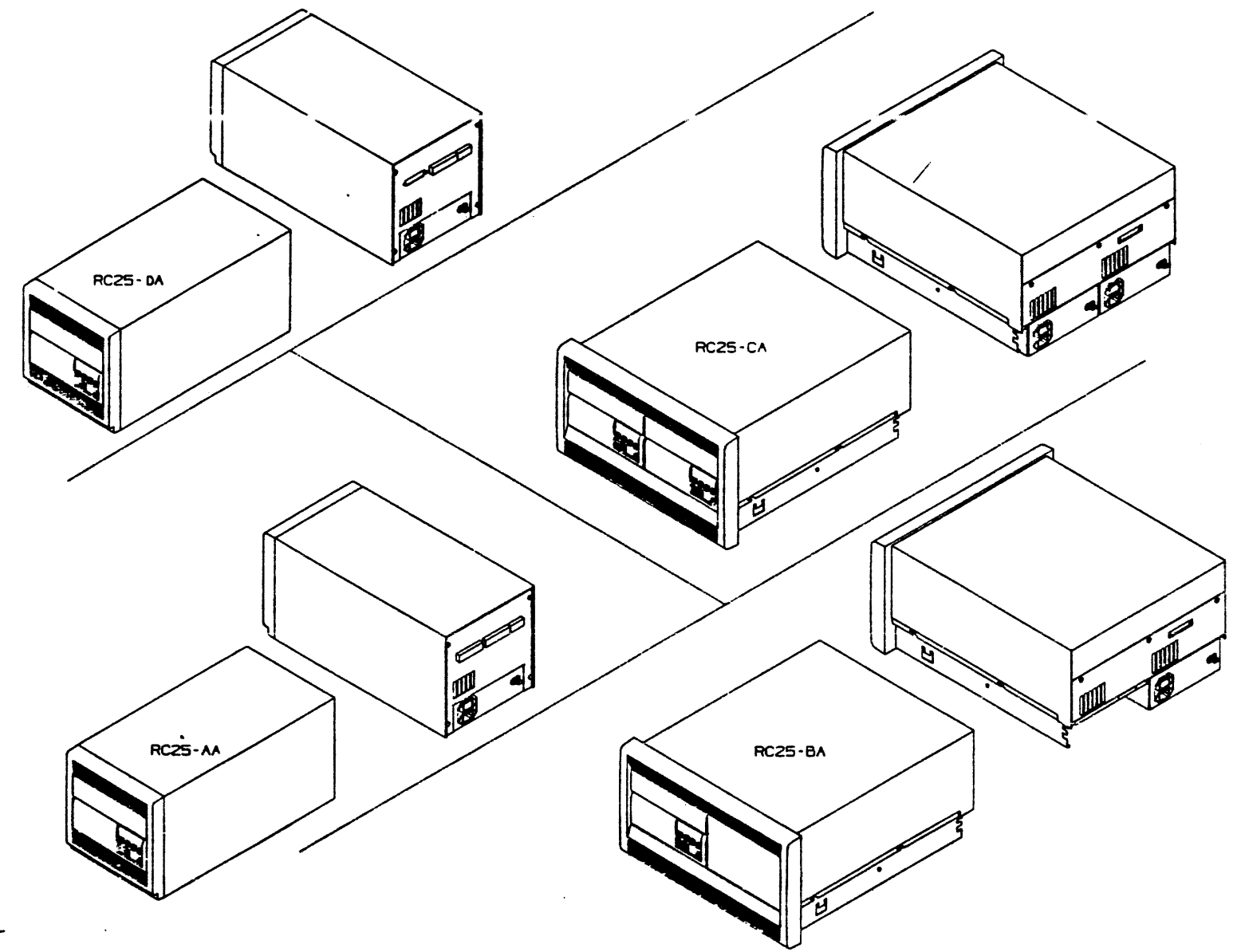
FOR THE USE OF THE CUSTOMER, THE INFORMATION CONTAINED HEREIN IS UNCLASSIFIED AND IS TO BE RELEASED TO THE PUBLIC ON REQUEST.

OPTION	REVISION	DESCRIPTION	COMMENTS
RC25-AA	A1	TABLE TOP MASTER 120/240 VAC	SEE SHEETS 3 AND 4 OF 9
RC25-BA	A1	RACK MOUNT MASTER 120/240 VAC	SEE SHEETS 3 AND 5 OF 9
RC25-CA	A1	DUAL RACK MOUNT 120/240 VAC	SEE SHEETS 3 AND 6 OF 9
RC25-DA	A1	TABLE TOP SLAVE 120/240 VAC	SEE SHEETS 3 AND 7 OF 9
RC25-EA	A1	RACK MOUNT ADD-ON 120/240 VAC	SEE SHEETS 3 AND 8 OF 9
RC25-FA	A1	TABLE TOP MASTER, ODM 120/240 VAC	SEE SHEETS 3 AND 9 OF 9

APPLICABLE RC25 VARIATION	NOTES:
-AA -BA -CA -DA -EA -FA	1. THE SHIPPING LOCK ASSY (ITEM 40) SHALL BE INSTALLED IN EACH RC25 DISK DRIVE PRIOR TO PACKAGING AND SHIPMENT. THE MECHANISM DOOR MUST BE OPENED, THE SHIPPING LOCK ASSY INSERTED INTO THE DRIVE UNTIL LATCHED AND THE DOOR THEN CLOSED COMPLETELY. (SEE FIGURE 1 SHEET 3)
-AA -BA -CA -DA -EA	2. THE VOLTAGE SELECT SWITCH (PART OF ITEM 1) SHALL BE SET AT 240 VOLT SETTING. (SEE FIGURE 2 SHEET 3)
-AA -BA -CA -DA -EA	3. THE WARNING LABEL (ITEM 39) SHALL BE PLACED OVER THE POWER INPUT RECEPTACLE (PART OF ITEM 1) BEFORE PACKAGING AND SHIPMENT OF THE RC25 DISK DRIVE. (SEE FIGURE 2 SHEET 3)
-AA -BA -CA -DA -EA -FA	4. THE MODEL/ELECTRICAL DATA LABEL (ITEM 34 OR ITEM 35) SHALL HAVE THE MODEL NUMBER, WATTAGE, VOLTAGE AND AMPERAGE INFORMATION PER TABLE 1 TYPED ON THE LABEL. (REF DETAIL A (SHEET 3))
-AA -BA -CA -DA -EA -FA	5. THE FOLLOWING PARTS LIST ITEMS SHALL NOT BE ASSEMBLED TO THE RC25 DISK DRIVE. THEY SHALL BE SHIPPED AS LOOSE ITEMS WITH THE DISK DRIVE. (REFERENCE: SHIPPING LIST, RC25 DISK DRIVE, DWG. NO. B-PL-RC25-0-0) a. POWER CORD: ITEM 41 b. DATA CARTRIDGE RC25K-DC: ITEM 42 c. CABLE, 37 COND: ITEM 43 d. CABLE, 15 COND: ITEM 44 e. CHASSIS SLIDE ASSY: ITEM 47

J
I
F
E
D
C
B
A

J
H
F
E
D
C
A



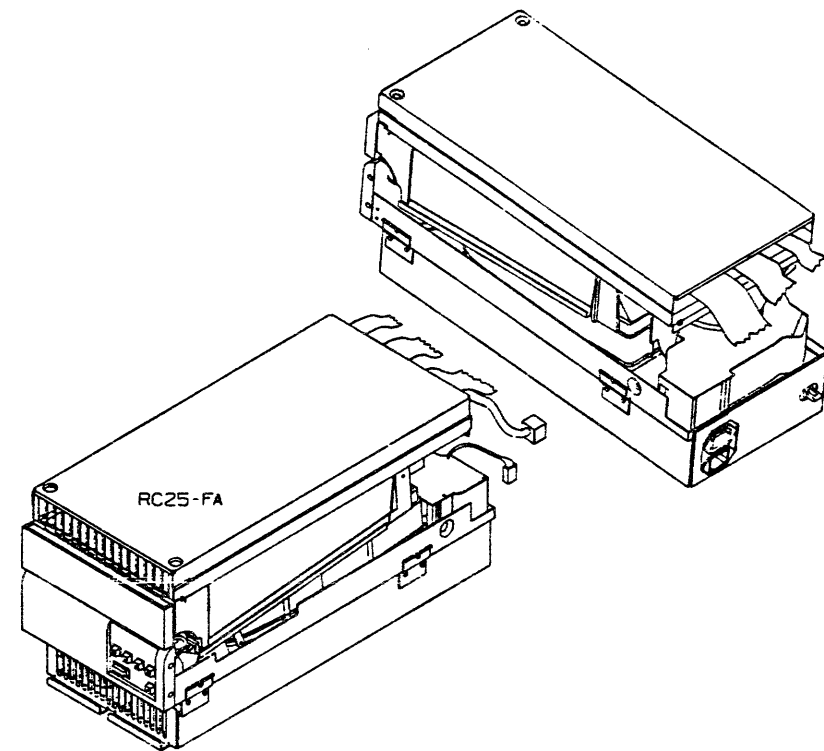
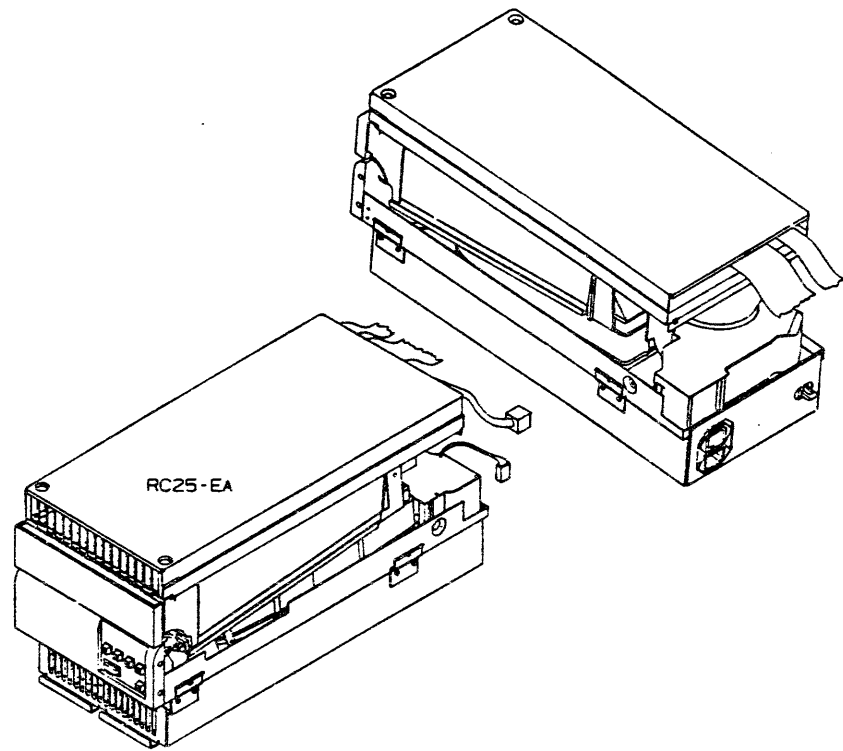
CAUTION
OFF SHEETS PARTS LISTS EXISTS
SEE K-PL-RC25-0-DBP

REV	INITIAL
1	A

DESCRIPTION		DRAWING NO.	PART NO.
UNLESS OTHERWISE SPECIFIED DIMENSIONS ARE IN INCHES AND THE FOLLOWING TOLERANCES APPLY (PER DEC STD 114)			
FINISH	QUANTITY & UNIT	DIMENSION RANGE IN INCHES	
ASSEMBLY	ASSEMBLY	0.000	0.000
DRILLING	DRILLING	0.000	0.000
WELDING	WELDING	0.000	0.000
OTHER	OTHER	0.000	0.000
DATE	BY	DATE	BY
7 NOV 83	R. MITNIK	7 NOV 83	R. MITNIK
7 NOV 83	R. MITNIK	7 NOV 83	R. MITNIK
7 NOV 83	P. HEARN	7 NOV 83	P. HEARN
7 NOV 83	D. KLOSS	7 NOV 83	D. KLOSS
TITLE		DOCUMENT NUMBER	
RC25 DISK DRIVE		E-UA-RC25-0-0	
DRAWN BY		DATE	
E-UA-RC25-0-0		7 NOV 83	

THIS DRAWING IS THE PROPERTY OF THE UNITED STATES GOVERNMENT. IT IS TO BE REPRODUCED IN WHOLE OR IN PART AS THE BASIS FOR THE MANUFACTURE OF SALE OF THIS DRAWING OR FOR ANY OTHER PURPOSE.

I
H
G
F
E
D
C
B
A



I
H
G
F
E
D
C
B
A

REVISION HISTORY		
DATE	ECO HISTORY	REV
	SEE SHEET 1	

TITLE
RC25
DISK DRIVE

DOCUMENT NUMBER		
SYMBOL	NUMBER	REV
EJUA	RC25-0-0	A
SCALE 1:2		SHEET 2 OF 9

THIS DRAWING AND SPECIFICATIONS HERETOIN ARE THE PROPERTY OF DIGITAL EQUIPMENT CORPORATION AND SHALL NOT BE REPRODUCED OR COPIED OR USED IN WHOLE OR IN PART AS THE BASIS FOR THE MANUFACTURE OR SALE OF EQUIPMENT WITHOUT WRITTEN PERMISSION.
 © 1974 DIGITAL EQUIPMENT CORPORATION

TABLE 1

MODEL NUMBER	ELECTRICAL DATA			
	VOLTS	AMPS	WATTS	HZ
RC25-AA	120/220-240	4.6/2.3	320	50/60
RC25-BA	120/220-240	4.6/2.3	320	50/60
RC25-CA	120/220-240	4.6/2.3	320	50/60
RC25-DA	120/220-240	2.0/1.2	218	50/60
RC25-EA	120/220-240	2.0/1.2	216	50/60
RC25-FA	120/220-240	4.6/2.3	320	50/60

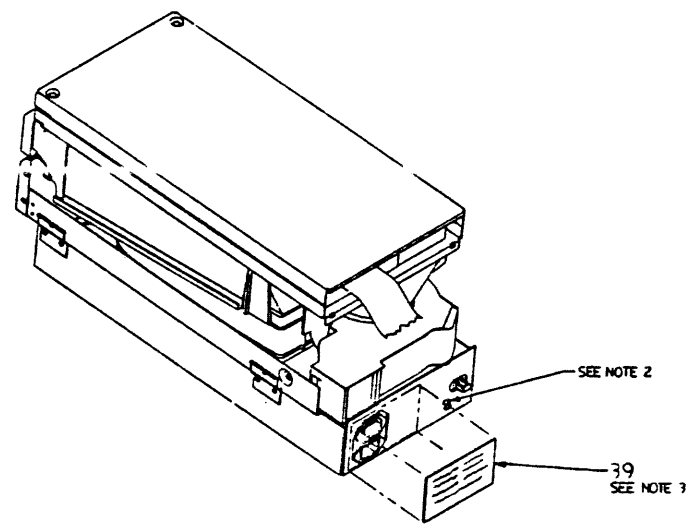
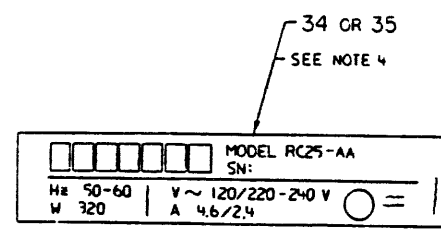


FIGURE 2



DETAIL A
 LABEL ILLUSTRATION
 REF ONLY

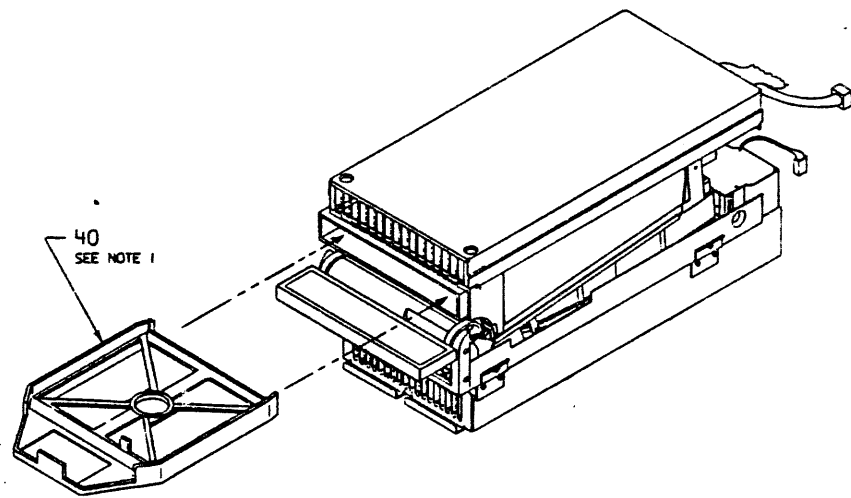


FIGURE 1

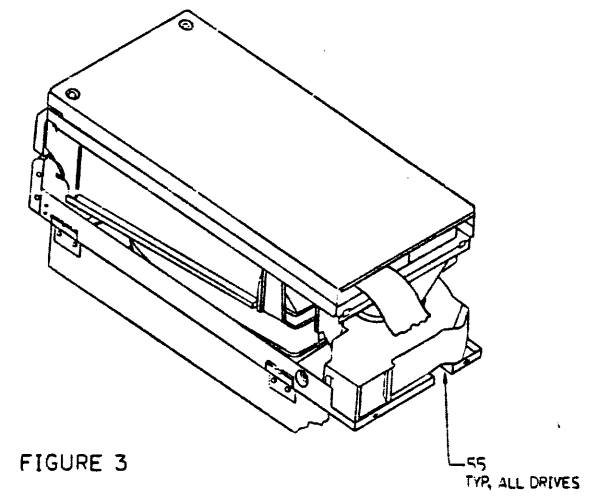


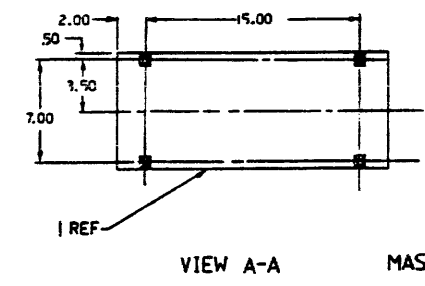
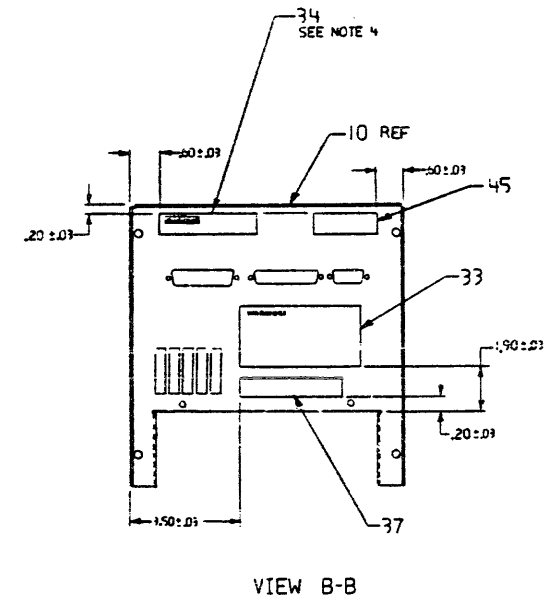
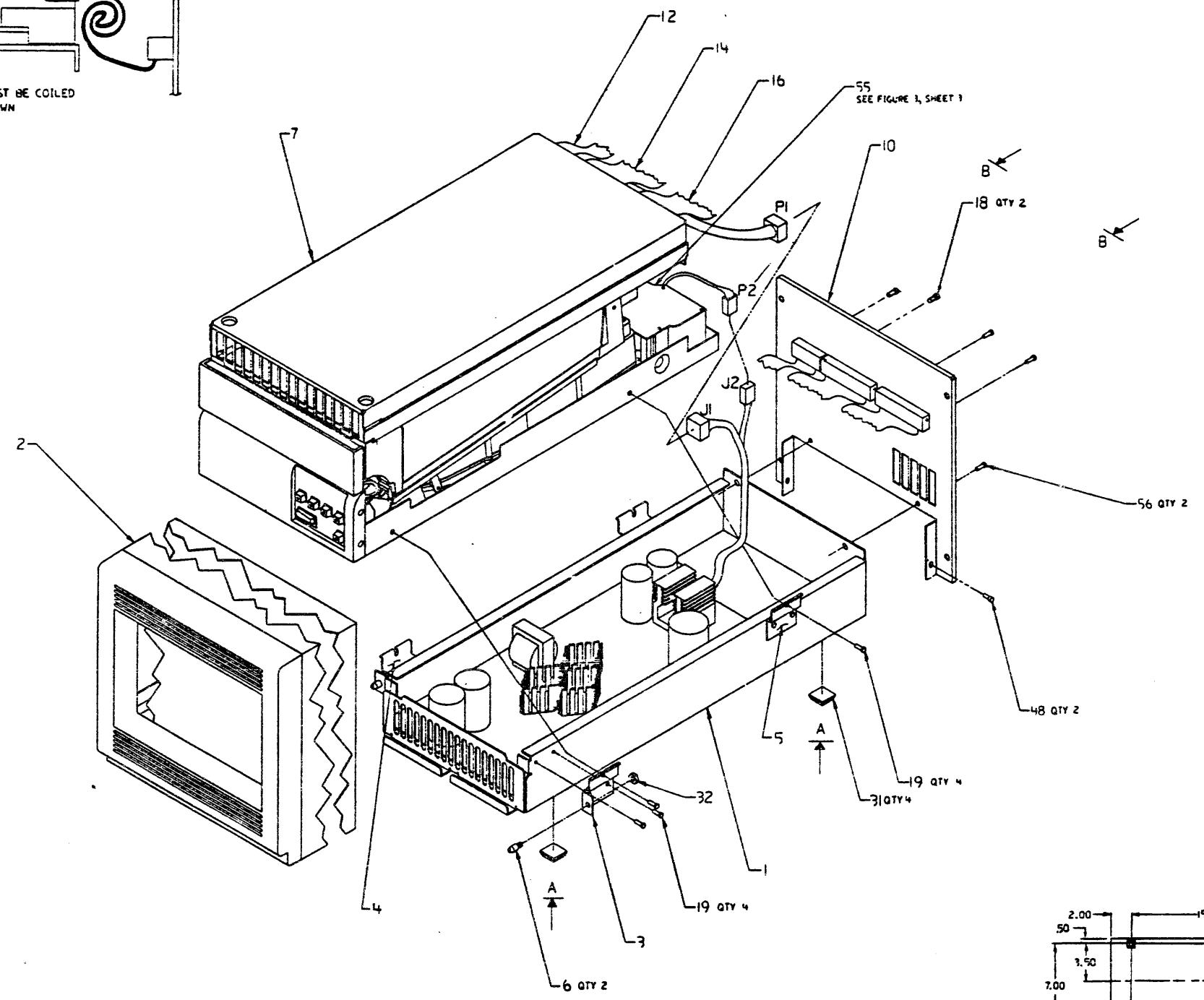
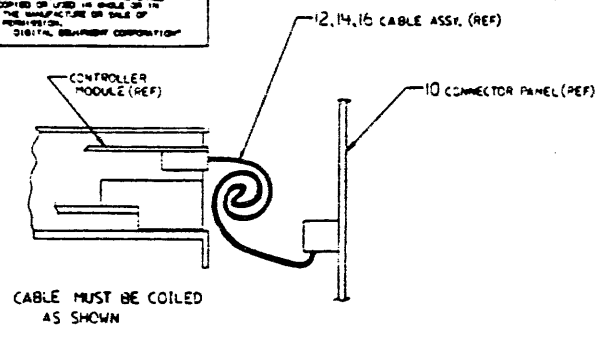
FIGURE 3

REVISION HISTORY		
DATE	FOR HISTORY	REV
	SEE SHEET 1	

TITLE		DOCUMENT NUMBER	
STANDARD	NUMBER	REV	
EUA	RC25-0-0	A	

ALL DIMENSIONS AND SPECIFICATIONS HEREIN ARE THE PROPERTY OF ELMAR, AND MUST BE OBSERVED AND SHALL NOT BE REPRODUCED OR COPIED IN WHOLE OR IN PART AS THE BASIS FOR THE MANUFACTURE OF ANY ITEM, WITHOUT WRITTEN PERMISSION.
 COMPANY © 1984 "DIGITAL EQUIPMENT CORPORATION"

J
I
E
U
R
C
2
5
-
0
-
0
A



RC25-AA
 MASTER DRIVE TABLETOP

REVISION HISTORY		
DATE	ADD HISTORY	REV
SEE SHEET 1		

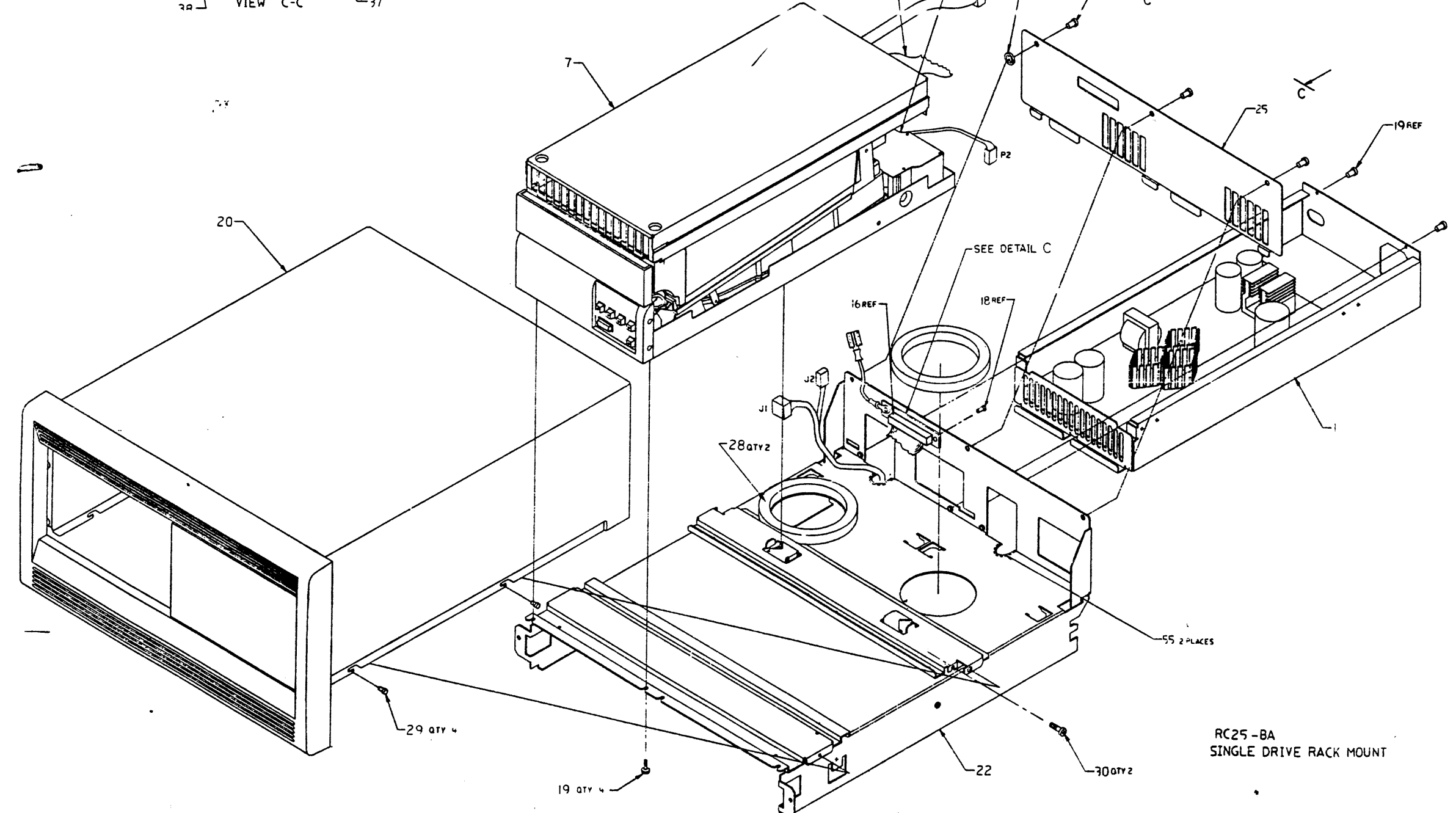
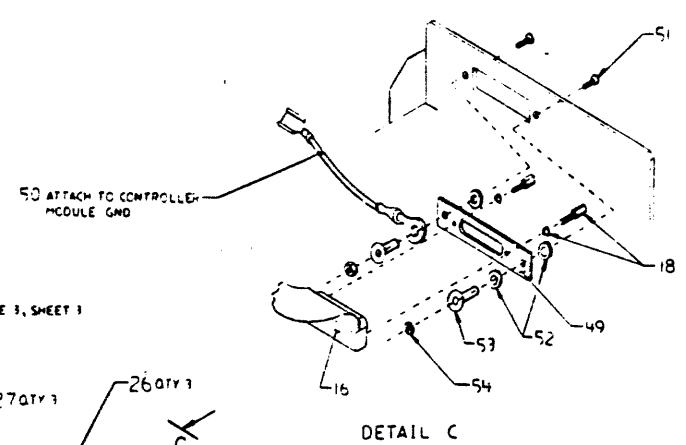
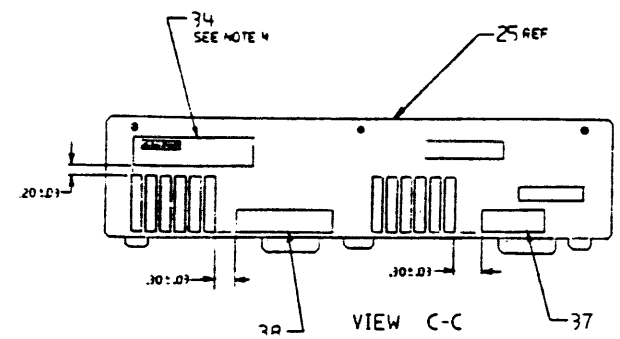
TITLE
 RC25 DISK DRIVE

DOCUMENT NUMBER	
SYMBOL	NUMBER
EUA	RC25-0-0
SCALE	1/2 SHEET 4 OF 4

EUA RC25-0-0 A

THIS DRAWING AND SPECIFICATIONS HEREBY ARE THE PROPERTY OF DIGITAL EQUIPMENT CORPORATION AND SHALL NOT BE REPRODUCED OR COPIED OR USED IN WHOLE OR IN PART AS THE BASIS FOR THE MANUFACTURE OR SALE OF ITEMS WITHOUT WRITTEN PERMISSION.
 COPYRIGHT © 1984 DIGITAL EQUIPMENT CORPORATION

J
I
H
G
F
E
D
C
B
A



RC25-BA
SINGLE DRIVE RACK MOUNT

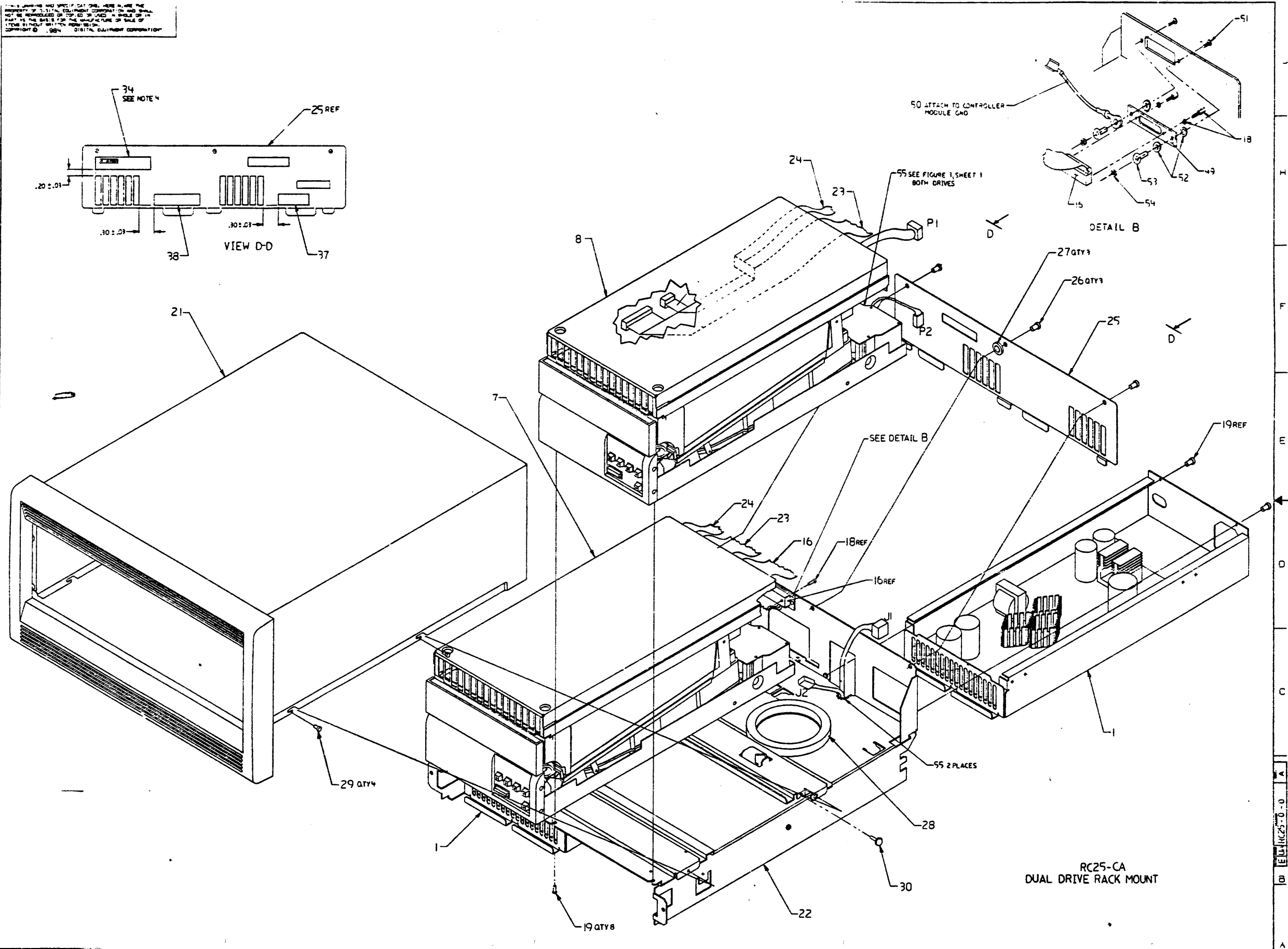
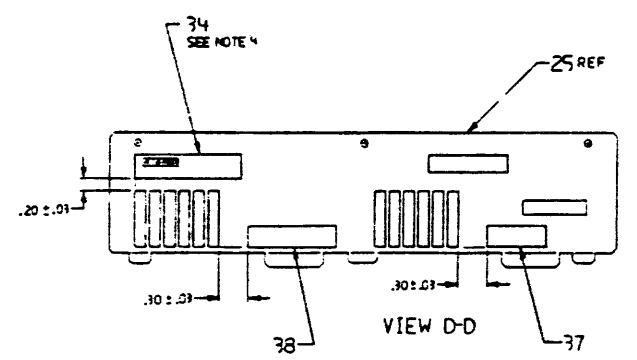
REVISION HISTORY		
DATE	ADD HISTORY	REV
	SEE SHEET 1	

TITLE		DOCUMENT NUMBER	
DESCRIPTION	NUMBER	REV	
RC25 DISK DRIVE	EUAJ RC25-0-0	A	

J
I
H
G
F
E
D
C
B
A

THIS DRAWING AND SPECIFICATION ARE THE PROPERTY OF DIGITAL EQUIPMENT CORPORATION AND SHALL NOT BE REPRODUCED OR COPIED IN WHOLE OR IN PART FOR THE BASIS OF THE MANUFACTURE OR SALE OF ITEMS WITHOUT WRITTEN PERMISSION. COPYRIGHT © 1974 DIGITAL EQUIPMENT CORPORATION

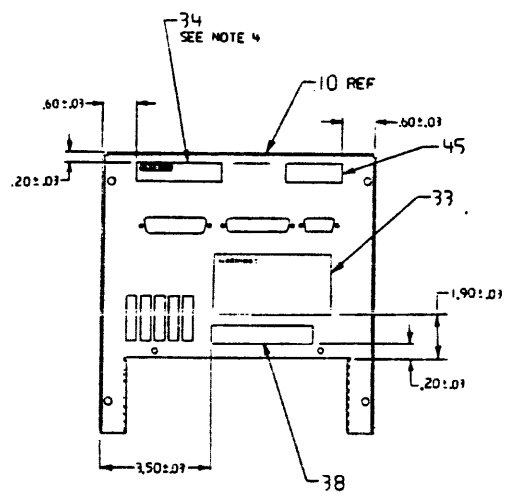
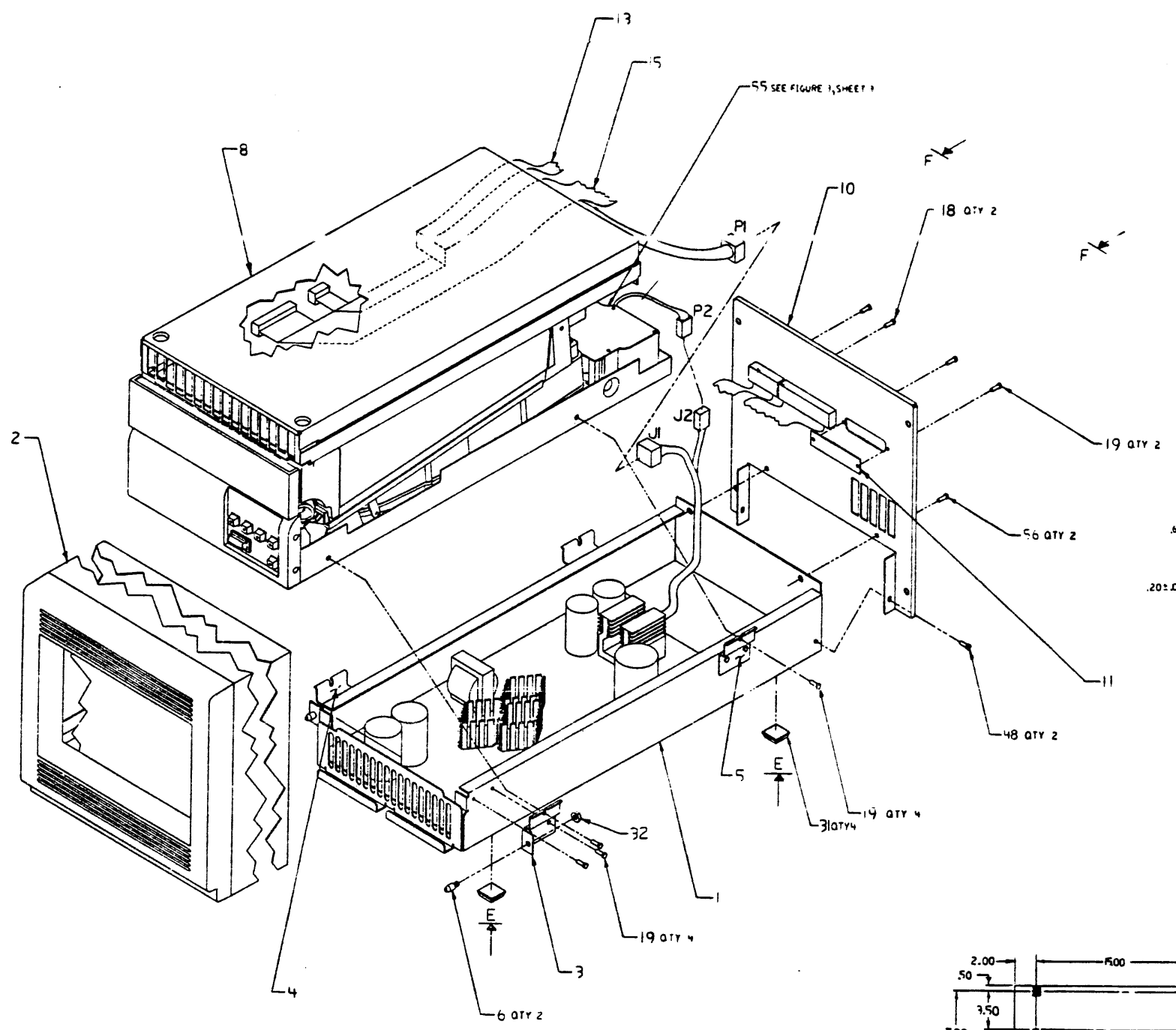
J
I
H
G
F
E
D
C
B
A



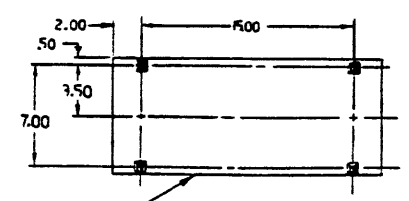
REVISION HISTORY		DOCUMENT NUMBER	
DATE	REV. HISTORY	STANDARD NUMBER	REV. NUMBER
	SEE SHEET 1	EUA RC25-0-0	A

REPRODUCTION OF THIS DOCUMENT IS PROHIBITED WITHOUT THE WRITTEN PERMISSION OF DIGITAL EQUIPMENT CORPORATION.

EILA RC25-0-0 A



VIEW F-F



VIEW E-E

RC25-DA
SLAVE DRIVE TABLE TOP

REVISION HISTORY		
DATE	ECO HISTORY	REV
SEE SHEET 1		

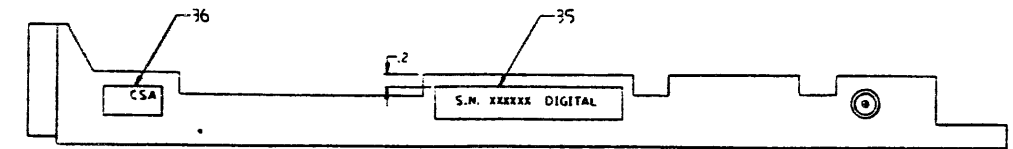
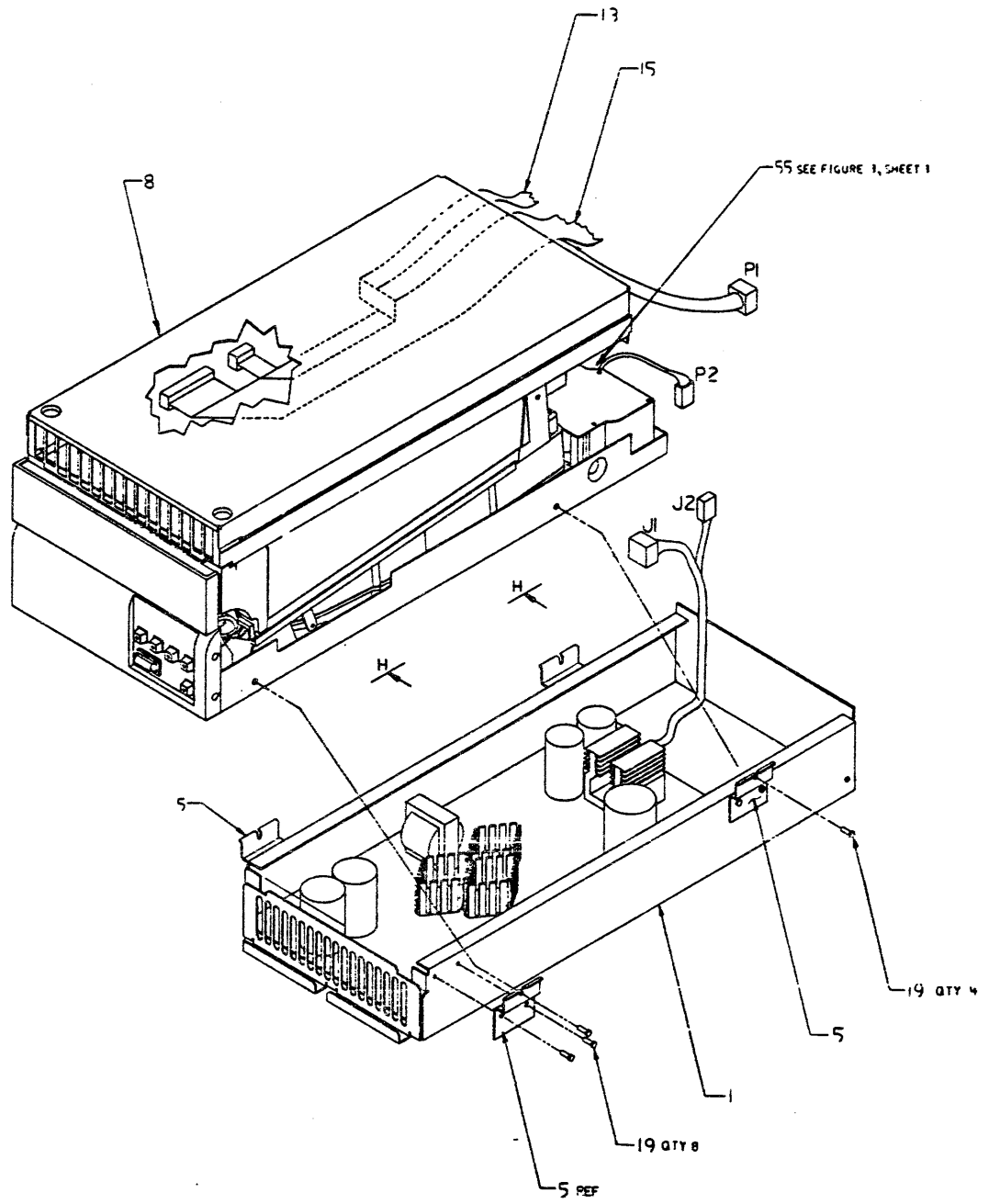
TITLE		DOCUMENT NUMBER	
DESCRIPTION	NUMBER	SYMBOL	REV
RC25 DISK DRIVE	EILA RC25-0-0		A

EILA RC25-0-0 A

THIS DRAWING IS UNCLASSIFIED, HEREIN, BY THE
 AUTHORITY OF THE NATIONAL ARCHIVES AND RECORDS
 ADMINISTRATION ON 08-28-2014. FOR INFORMATION
 ONLY. THIS DRAWING IS UNCLASSIFIED, HEREIN,
 BY THE AUTHORITY OF THE NATIONAL ARCHIVES AND
 RECORDS ADMINISTRATION ON 08-28-2014. FOR
 INFORMATION ONLY. THIS DRAWING IS UNCLASSIFIED,
 HEREIN, BY THE AUTHORITY OF THE NATIONAL
 ARCHIVES AND RECORDS ADMINISTRATION ON 08-28-2014.
 FOR INFORMATION ONLY.

I
 H
 G
 F
 E
 D
 C
 B
 A

I
 H
 G
 F
 E
 D
 C
 B
 A



VIEW H-H
 APPROXIMATE LABEL LOCATION

RC25-EA
 SLAVE DRIVE RACK MOUNT
 ADD CN

REVISION HISTORY		
DATE	BY	REV
SEE SHEET 1		

TITLE		DOCUMENT NUMBER	
DESCRIPTION	NUMBER	SYMBOL	REV
RC25 DISK DRIVE	EUA RC25-0-C		A

THIS DRAWING AND SPECIFICATIONS ARE THE PROPERTY OF DIGITAL EQUIPMENT CORPORATION AND SHALL NOT BE REPRODUCED OR COPIED IN WHOLE OR IN PART FOR THE PURPOSE OF SALE OF ITEMS IN ANY MANNER WITHOUT PERMISSION. COPYRIGHT © 1984 DIGITAL EQUIPMENT CORPORATION

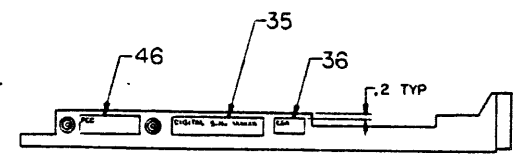
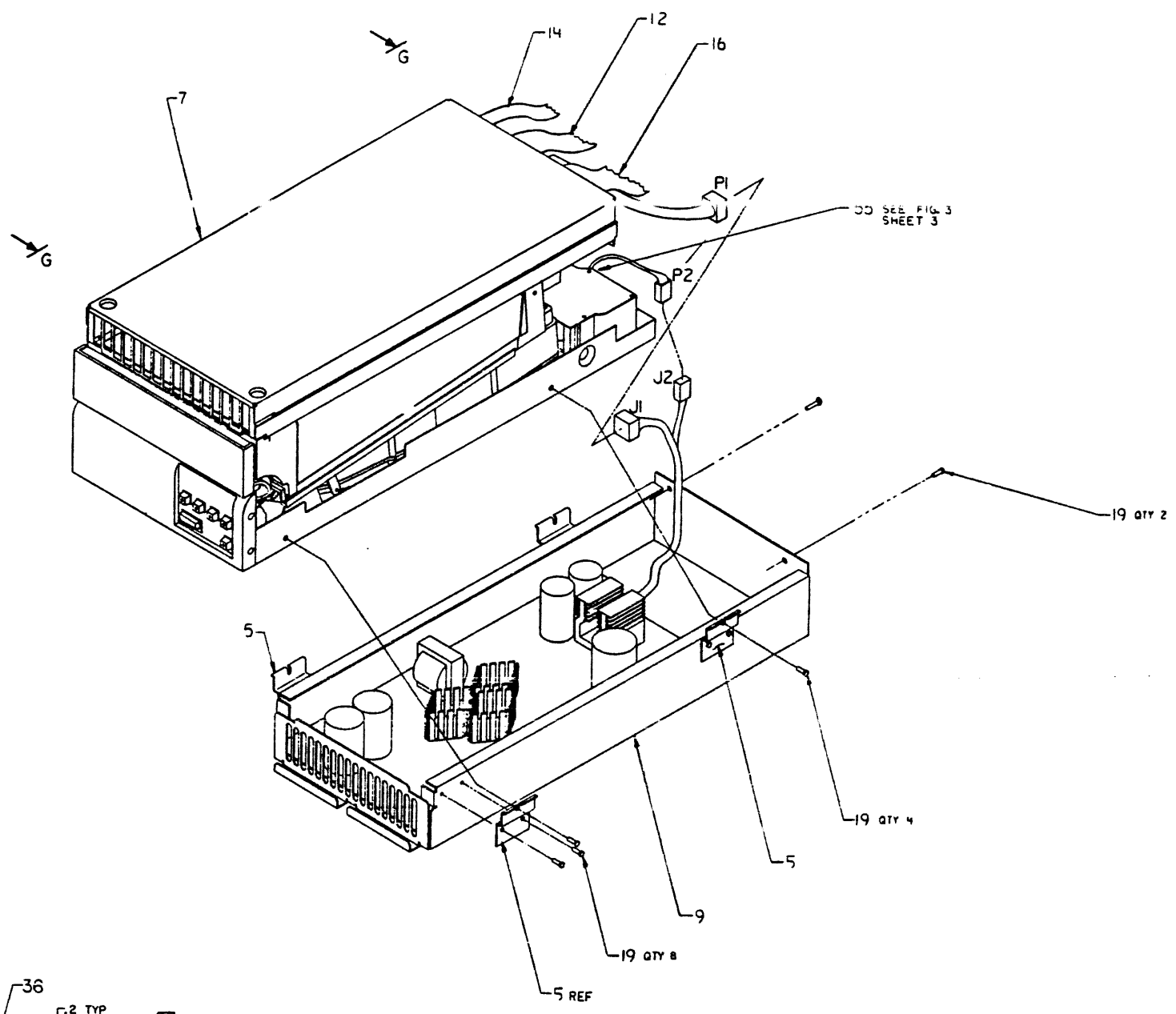
REV. RC25-0-0

REV. RC25-0-0

REV. RC25-0-0

REV. RC25-0-0

REVISION HISTORY		
DATE	ECO HISTORY	REV
SEE SHEET 1		



VIEW G-G
APPROXIMATE LABEL LOCATION

RC25-FA
MASTER DRIVE
LCN

TITLE	DOCUMENT NUMBER
RC25 DISK DRIVE	63UAR025-0-0

REV. RC25-0-0

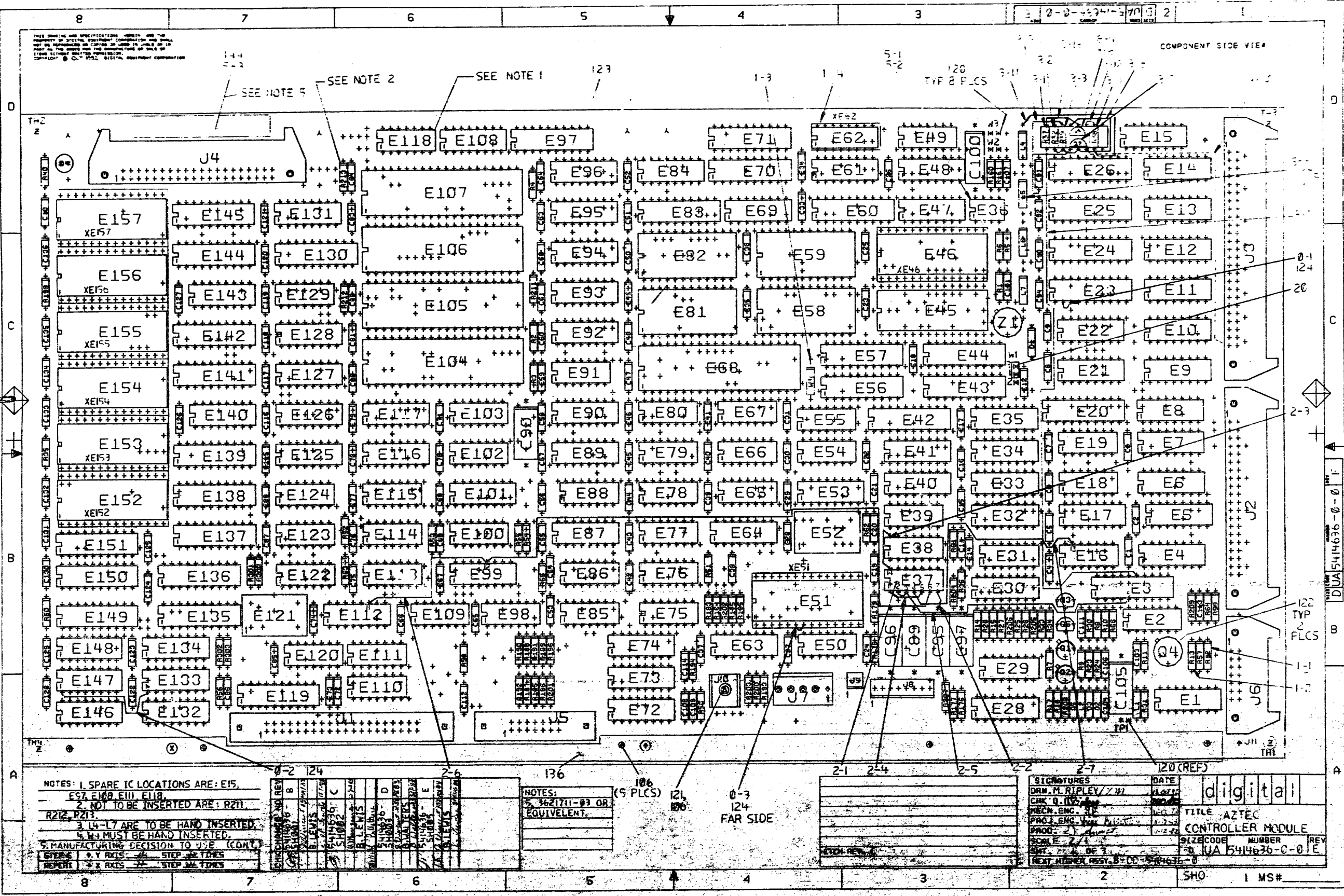
LINE ITEM	TOP DOCUMENT	PART NUMBER	MIN REV	DESCRIPTION	QTY PER VARIATION					
					AA	BA	CA	DA	EA	FA
1	1	E-UA-H7863-0-DBU	H7863-A	RC25 PS: 5V 15.8A,-5.2V 3.0A,+24	1	1	2	1	1	-
2	2	D-AD-7018643-0-DBU	7018643-00	ENCLOSURE ASSY (SA)	1	-	-	1	-	-
3	3	D-MD-7425794-0-DBU	7425794-00	BRACKET, MOUNTING, RIGHT	1	-	-	1	-	-
4	4	D-MD-7425794-0-DBU	7425794-01	BRACKET, MOUNTING LEFT	1	-	-	1	-	-
5	5	C-MD-7425796-0-DBU	7425796-00	BRACKET	2	-	-	2	4	4
6	6	C-MD-7425797-0-DBU	7425797-00	PIN, ALIGNMENT	2	-	-	2	-	-
7	7	E-AD-7020265-0-0	7020265-00	MECHANISM/CONTROLLER ASSY/MASTER	1	1	1	-	-	1
8	8	E-AD-7020265-0-0	7020265-01	MECHANISM/CONTROLLER ASSY/SLAVE	-	-	1	1	1	-
9	9	E-UA-H7863-0-DBU	H7863-B	H7863-A WITH NO CKT BREAKER,LINE	-	-	-	-	-	1
10	10	D-AD-7020697-0-DBU	7020697-01	CONNECTOR PANEL ASSY	1	-	-	1	-	-
11	11	C-IA-7428134-0-DBU	7428134-01	COVER, MOUNTING HOLE	-	-	-	1	-	-
12	12	D-IA-7018642-0-0	7018642-00	15 POS. D-SUB CABLE ASSY.	1	-	-	-	-	1
13	13	D-IA-7018642-0-0	7018642-01	15 POS. D-SUB CABLE ASSY.	-	-	-	1	-	-
14	14	D-IA-7018644-0-0	7018644-00	37 POS. D-SUB CABLE ASSY.	1	-	-	-	-	1
15	15	D-IA-7018644-0-0	7018644-01	37 POS. D-SUB CABLE ASSY.	-	-	-	1	-	-
16	16	D-IA-7018652-0-0	7018652-00	CABLE, 50 POSITION D-SUB CONN	1	1	1	-	-	1
17	17	A-PS-9010402-0-0	9010402-01	SCREW,SEMS,PAN PHIL .4-	-	-	-	2	-	-
18	18	A-PS-9008451-0-0	9008451-00	SCREW LOCK,ASSY .060TH	3	1	1	2	-	-
19	19	A-PS-9010402-0-0	9010402-04	SCREW,SEMS,PAN PHIL .6-	12	4	8	12	12	14
20	20	E-AD-7019785-0-0	7019785-01	BEZEL/COVER ASSY	-	1	-	-	-	-
21	21	E-AD-7019785-0-0	7019785-02	BEZEL/COVER ASSY.	-	-	1	-	-	-
22	22	D-IA-7020648-0-0	7020648-01	PAN ASSY	-	1	1	-	-	-
23	23	D-IA-7019950-0-DBU	7019950-00	CABLE, 40 CONNECTOR DUAL RACK	-	-	1	-	1	-
24	24	D-IA-7019951-0-DBU	7019951-00	CABLE, 14 CONNECTOR DUAL RACK	-	-	1	-	1	-
25	25	E-MD-7427135-0-DBU	7427135-01	PANEL,BACK	-	1	1	-	-	-
26	26	A-PS-9000026-0-0	9000026-02	FASTENER,1/4 TURN DUAL	-	3	3	-	-	-
27	27	A-PS-9008200-0-0	9008200-00	RETAINER, SOUTH CD 82-32-101-17	-	3	3	-	-	-
28	28	C-MD-7427296-0-DBU	7427296-01	GASKET,PAN	-	2	2	-	-	-
29	29	A-PS-9006024-0-0	9006024-03	SCREW,MACH TRUSS PHIL .6-	-	4	4	-	-	-
30	30	A-PS-9010174-0-0	9010174-02	SCREW,SEMS PAN PHIL .8-	-	2	2	-	-	-

REVISION HISTORY			BASIC PART NO: RC25		DRN: R. BURHANS		DATE: 04/03/84		DIGITAL	
ENG	ECD NUMBER	REV	SECTION A OF A	CHK'D:	R. HUTNAK	DATE:	04/03/84	TITLE	PARTS LIST	
	INITIAL	A	SECTION VARIATION INDEX [AJAA,BA,CA,DA,EA,FA]					RC25 UNIT ASSY		
			[BJ]	DES.ENG:	R. HUTNAK	DATE:	04/03/84	DOCUMENT NUMBER		
			[CJ]	RESP.ENG.:	P. HEARN	DATE:	04/03/84	SIZE!CODE! NUMBER	REV	
			[DJ]					K ! PL ! RC25-0-DBP	A	
			[EJ]	MFG.ENG.:	D. KLOSS	DATE:	04/03/84	RELEASE DATE:	11-APR-84	
			[FJ]	ASSEMBLY NUMBER:		TOP DOCUMENT NUMBER:		FILE NAME:	EDIT #	
				E-UA-RC25-0-0		E-UA-RC25-0-0		Z5959A.PLS	16	

"THIS DRAWING AND THE SPECIFICATIONS CONTAINED HEREIN ARE CONFIDENTIAL AND PROPRIETARY. THEY ARE THE PROPERTY OF DIGITAL EQUIPMENT CORPORATION AND SHALL NOT BE REPRODUCED OR COPIED OR USED IN WHOLE OR IN PART AS THE BASIS FOR THE MANUFACTURE OR SALE OF ITEMS WITHOUT WRITTEN PERMISSION. THIS IS AN UNPUBLISHED WORK PROTECTED UNDER THE FEDERAL COPYRIGHT LAWS."

LINE	ITEM	TOP DOCUMENT	PART NUMBER	MIN REV	DESCRIPTION	QTY PER VARIATION					
						AA	BA	CA	DA	EA	FA
31	31	A-PS-1209750-0-0	1209750-01		RUBBER BUMPER 5023 BLK	4	-	-	4	-	-
32	32	A-PS-9006565-0-0	9006565-00		NUT,HEX EXT TOOTH LCKWSHR 10-32	4	-	-	4	-	-
33	33	A-PS-3621277-0-0	3621277-01		LABEL,AIR DISCHARGE WARNING RC25	1	-	-	1	-	-
34	34	A-PS-3617674-0-0	3617674-01		LABEL,SERIAL/POWER W UL & CSA	1	1	1	1	-	-
35	35	A-PS-3617674-0-0	3617674-00		LABEL,SERIAL/POWER W/G UL + CSA	-	-	-	-	1	1
36	36	A-PS-3613211-0-0	3613211-00		DECAL,CLEAR PREPRINTED CSA 1-1/4	-	-	-	-	1	1
37	37	A-PS-3621276-0-0	3621276-01		LABEL,OUTLET,RC25	1	1	1	-	-	-
38	38	A-PS-3621276-0-0	3621276-02		LABEL,OUTLET,RC25 NUT FOR EXTERN	-	1	1	1	-	-
39	39	A-PS-3617905-0-0	3617905-04		LABEL,WARNING,220-240V50HZ H-1/4	1	1	1	1	1	1
40	40	D-IA-7020651-0-DBU	7020651-01		LOCK, SHIPPING ASSY	1	1	2	1	1	1
41	41	A-PS-1700150-0-0	1700150-02		PWR CORD,TERM 3-18 SJT 250	-	-	1	1	1	-
42	42	E-UA-RC25K-DC-0	RC25K-DC		RC25 26 BYTE DATA CARTRIDGE	1	1	2	1	1	1
43	43	A-PS-1700444-0-0	1700444-01		CABLE ASSY W/D SUB CONN,36 COND	-	-	-	1	-	-
44	44	A-PS-1700446-0-0	1700446-01		CABLE ASSY W/D SUB CONN,14 COND	-	-	-	1	-	-
45	45	A-PS-3617880-0-0	3617880-03		LABEL,FCC,CLASS A,PERIPHERAL	1	-	-	1	-	-
46	46	A-PS-3617880-0-0	3617880-09		LABEL,CLASS "A" SUBASSEMBLY	-	-	-	-	-	1
47	47	E-AD-7021284-0-0	7021284-01		CHASSIS SLIDE ASSY.	-	1	1	-	-	-
48	48	A-PS-9010174-0-0	9010174-00		SCREW,SEMS PAN PHIL 6-	2	-	-	2	-	-
49	49	D-MD-7428666-0-DBU	7428666-01		BULKHEAD,"Q"	-	1	1	-	-	-
50	50	B-IA-7021740-0-0	7021740-01		GROUND WIRE	-	1	1	-	-	-
51	51	A-PS-9006024-0-0	9006024-01		SCREW,MACH PAN PHIL 6-	-	2	2	-	-	-
52	52	A-PS-9008990-0-0	9008990-00		WASHER,SHOULDER NYLON	-	3	3	-	-	-
53	53	A-PS-9008278-0-0	9008278-06		INSULATOR, NYLON, MACHINE SCREW,	-	2	2	-	-	-
54	54	A-PS-9008055-0-0	9008055-00		NUT,HEX SLF LCKNG NYL INS 6-32	-	2	2	-	-	-
55	55	A-PS-9007035-0-0	9007035-00		GRUMMET,CATERPILLAR POLYAMIDE	A/R	A/R	A/R	A/R	A/R	A/R
56	56	A-PS-9009701-0-0	9009701-00		SCREW,SEMS PAN PHIL 6-	2	-	-	2	-	-

D	I	G	I	T	A	L	TITLE	RC25 UNIT ASSY	SECTION A OF A	SIZE/	CODE/	DOCUMENT NUMBER	REV
										K	PL	RC25-0-DRP	A

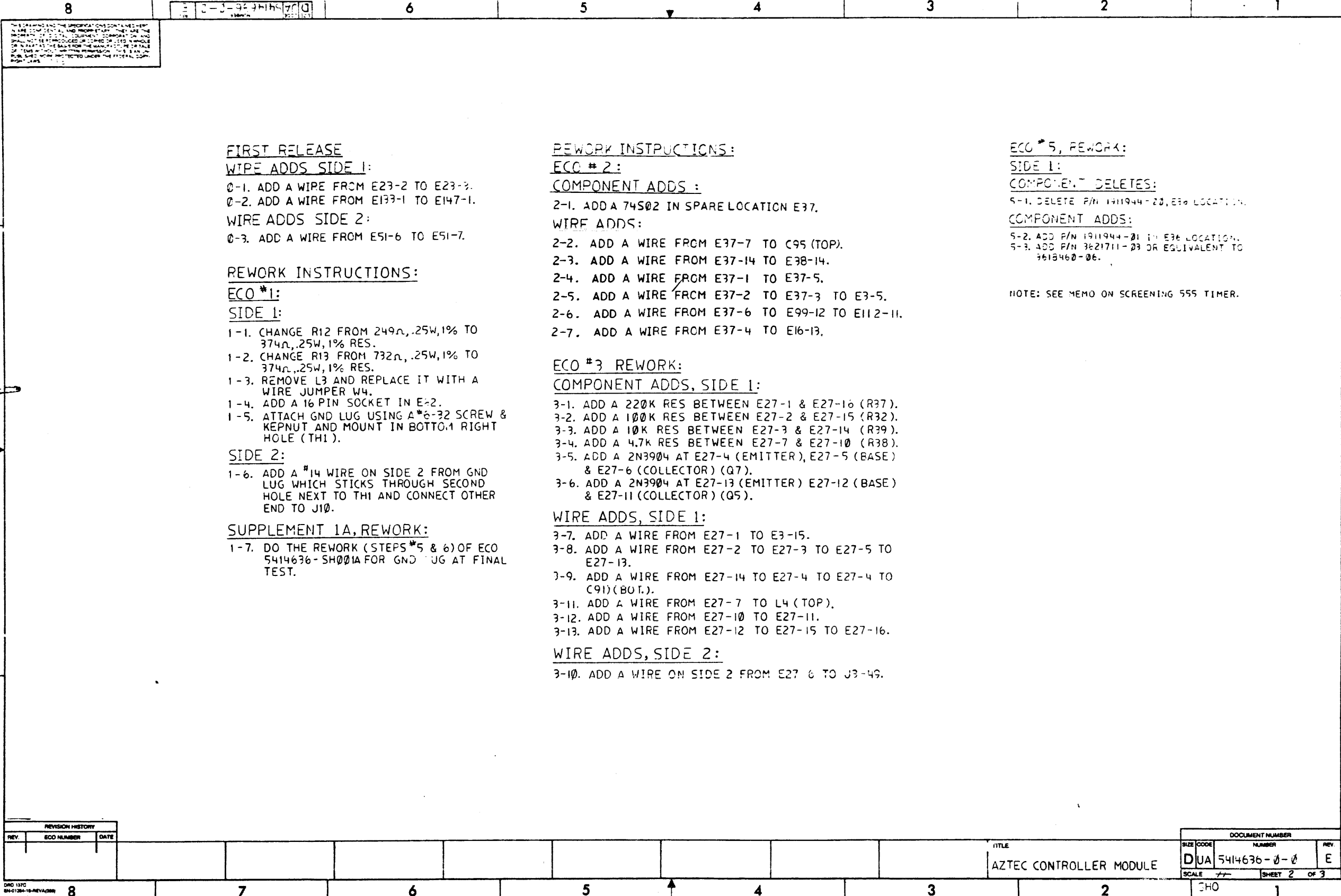


NOTES: 1. SPARE IC LOCATIONS ARE: E15, E57, E108, E111, E118.
 2. NOT TO BE INSERTED ARE: R211, R212, R213.
 3. L4-L7 ARE TO BE HAND INSERTED.
 4. M4 MUST BE HAND INSERTED.
 5. MANUFACTURING DECISION TO USE (CONT.)
 STEP 1 Y AXIS STEP 2 X AXIS
 STEP 3 Y AXIS STEP 4 X AXIS

NOTES:
 1. 3621731-03 OR EQUIVALENT.

SIGNATURES		DATE	digital
DRM. M. RIPLEY // 2/1		1/2/70	
CHK. G. IVINS		1/2/70	TITLE: AZTEC CONTROLLER MODULE
MECH. ENG. J. H. ...		1/2/70	
PROJECT ENG. ...		1/2/70	SIZE CODE NUMBER 01 UA 5414636-C-01E
SCALE: 2/1		1/2/70	
NEXT NUMBER: 8-00-5414636-0			REV

SHO 1 MS#



THIS DRAWING AND THE INFORMATION CONTAINED HEREIN ARE CONFIDENTIAL AND PROPRIETARY. THEY ARE THE PROPERTY OF DIGITAL EQUIPMENT CORPORATION AND SHALL NOT BE REPRODUCED OR TRANSMITTED IN ANY FORM OR BY ANY MEANS FOR THE MANUFACTURE OF TABLE TOP TESTS WITHOUT THE WRITTEN PERMISSION OF DIGITAL EQUIPMENT CORPORATION UNDER THE FEDERAL COPYRIGHT LAWS.

FIRST RELEASE
WIPE ADDS SIDE 1:
 0-1. ADD A WIRE FROM E23-2 TO E23-3.
 0-2. ADD A WIRE FROM E133-1 TO E147-1.
WIRE ADDS SIDE 2:
 0-3. ADD A WIRE FROM E51-6 TO E51-7.

REWORK INSTRUCTIONS:
ECO #1:
SIDE 1:
 1-1. CHANGE R12 FROM 249Ω, .25W, 1% TO 374Ω, .25W, 1% RES.
 1-2. CHANGE R13 FROM 732Ω, .25W, 1% TO 374Ω, .25W, 1% RES.
 1-3. REMOVE L3 AND REPLACE IT WITH A WIRE JUMPER W4.
 1-4. ADD A 16 PIN SOCKET IN E-2.
 1-5. ATTACH GND LUG USING A #6-32 SCREW & KEPNUT AND MOUNT IN BOTTO:1 RIGHT HOLE (TH1).

SIDE 2:
 1-6. ADD A #14 WIRE ON SIDE 2 FROM GND LUG WHICH STICKS THROUGH SECOND HOLE NEXT TO TH1 AND CONNECT OTHER END TO J10.

SUPPLEMENT 1A, REWORK:
 1-7. DO THE REWORK (STEPS #5 & 6) OF ECO 5414636-5H001A FOR GND LUG AT FINAL TEST.

REWORK INSTRUCTIONS:
ECO #2:
COMPONENT ADDS:
 2-1. ADD A 74502 IN SPARE LOCATION E37.
WIRE ADDS:
 2-2. ADD A WIRE FROM E37-7 TO C95 (TOP).
 2-3. ADD A WIRE FROM E37-14 TO E38-14.
 2-4. ADD A WIRE FROM E37-1 TO E37-5.
 2-5. ADD A WIRE FROM E37-2 TO E37-3 TO E3-5.
 2-6. ADD A WIRE FROM E37-6 TO E99-12 TO E112-11.
 2-7. ADD A WIRE FROM E37-4 TO E16-13.

ECO #3 REWORK:
COMPONENT ADDS, SIDE 1:
 3-1. ADD A 220K RES BETWEEN E27-1 & E27-16 (R37).
 3-2. ADD A 100K RES BETWEEN E27-2 & E27-15 (R32).
 3-3. ADD A 10K RES BETWEEN E27-3 & E27-14 (R39).
 3-4. ADD A 4.7K RES BETWEEN E27-7 & E27-10 (R38).
 3-5. ADD A 2N3904 AT E27-4 (EMITTER), E27-5 (BASE) & E27-6 (COLLECTOR) (Q7).
 3-6. ADD A 2N3904 AT E27-13 (EMITTER) E27-12 (BASE) & E27-11 (COLLECTOR) (Q5).

WIRE ADDS, SIDE 1:
 3-7. ADD A WIRE FROM E27-1 TO E3-15.
 3-8. ADD A WIRE FROM E27-2 TO E27-3 TO E27-5 TO E27-13.
 3-9. ADD A WIRE FROM E27-14 TO E27-4 TO E27-4 TO C91 (BOT.).
 3-11. ADD A WIRE FROM E27-7 TO L4 (TOP).
 3-12. ADD A WIRE FROM E27-10 TO E27-11.
 3-13. ADD A WIRE FROM E27-12 TO E27-15 TO E27-16.

WIRE ADDS, SIDE 2:
 3-10. ADD A WIRE ON SIDE 2 FROM E27-6 TO J3-49.

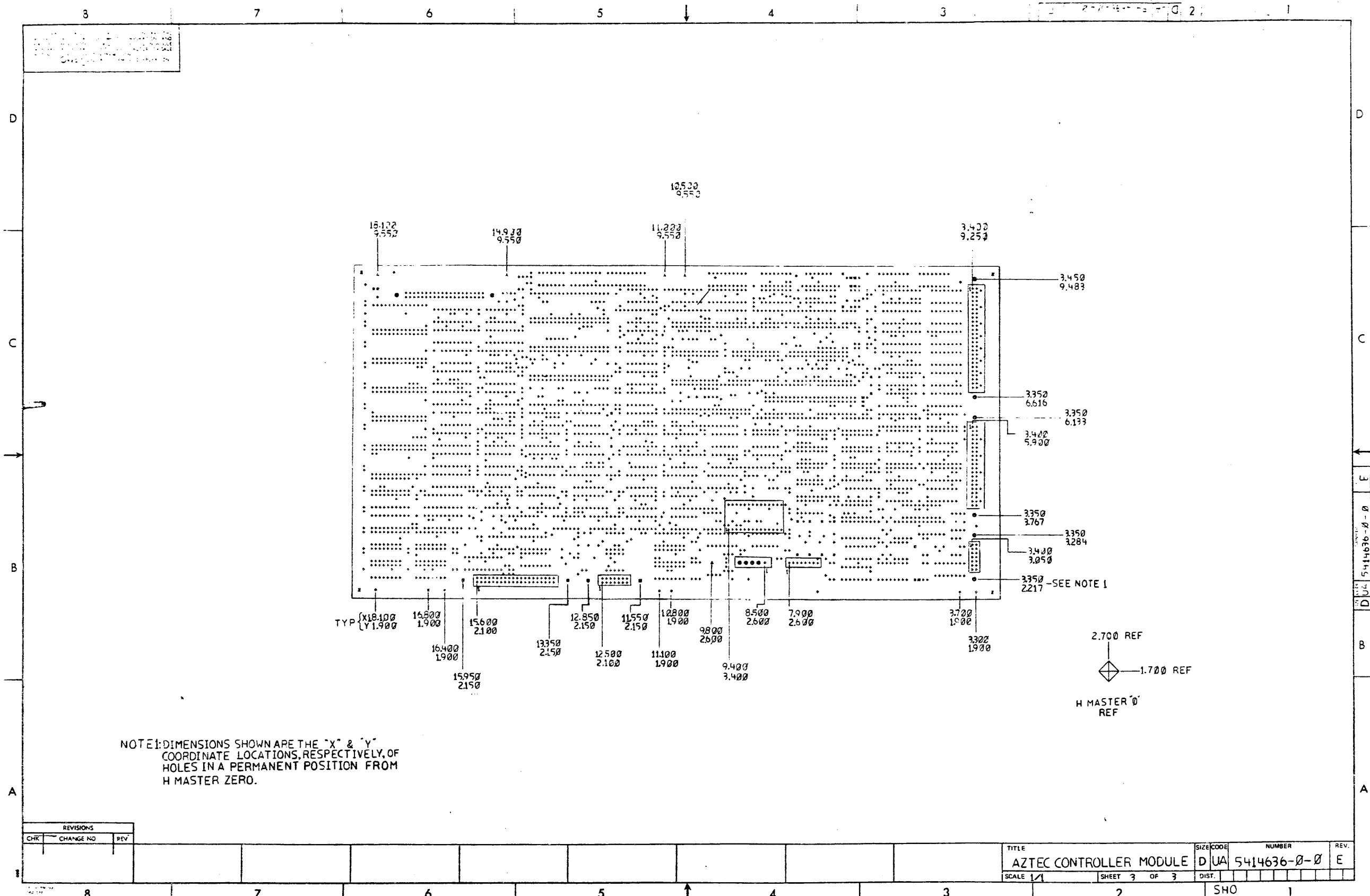
ECO #5, REWORK:
SIDE 1:
COMPONENT DELETES:
 5-1. DELETE P/N 1911944-20, E36 LOCATION.
COMPONENT ADDS:
 5-2. ADD P/N 1911944-01 IN E36 LOCATION.
 5-3. ADD P/N 3621711-03 OR EQUIVALENT TO 3618460-06.

 NOTE: SEE MEMO ON SCREENING 555 TIMER.

REVISION HISTORY		
REV.	ECO NUMBER	DATE

TITLE
 AZTEC CONTROLLER MODULE

DOCUMENT NUMBER		
SIZE CODE	NUMBER	REV.
DUA	5414636-0-0	E
SCALE	SHEET 2 OF 3	



1. ALL DIMENSIONS ARE IN MILLIMETERS UNLESS OTHERWISE SPECIFIED.
 2. DIMENSIONS ARE TO CENTER UNLESS OTHERWISE SPECIFIED.
 3. DIMENSIONS ARE TO THE CENTER OF THE HOLE UNLESS OTHERWISE SPECIFIED.
 4. DIMENSIONS ARE TO THE CENTER OF THE HOLE UNLESS OTHERWISE SPECIFIED.
 5. DIMENSIONS ARE TO THE CENTER OF THE HOLE UNLESS OTHERWISE SPECIFIED.

D U S 5414636-0-0

8 7 6 5 4 3 2 1

LINE	ITEM	TOP DOCUMENT	PART NUMBER	MIN REV	DESCRIPTION	VARIATION REVISION LEVEL:	QTY	PER VARIATION	REFERENCE DESIGNATOR
							00		
1	1		1002323-00		*** THIS ITEM IS NOT USED ***		-		
2	2		1001610-00		.01 MFD 50V +80-20% Z5U CER		3		C107-C109
3	3		1012084-01		8 MFD 25V +75-10% AL EL		5		C89,C90,C95-C97
4	4		1010546-00		.015 MFD 50V 2% M.POLYCARB		2		C100,C105
5	5		1012784-00		.047 MFD 50V +80-20% CER		118		C1-C12,C14-C31,C33-C88,C101, C106,C111-C136,C91-C94
6	6		1013466-07		220.0 MMF 50V 5% CER		2	CONT	C103,C104
7	8		1105796-00		PIV= 400 IO= 1.00A 1N4004 DO-41		1		D1
8	10		1114136-00		IFD 16MA 5V		1		D4
9	11		1113003-00		PIV= 55 IO=200 MA - 4NS 1N5282		1		D5
10	12		1116824-00		VARICAPS, PIV= 3 400MW 1N5		2		D2,D3
11	13		1216832-02		PCB,HEADER 40POS(2X20).100CC 90D		2		J2,J4
12	14		1216832-05		PCB,HEADER 14POS(2X07).100CC 90D		1		J6
13	15		1215323-06		PCB HEADER 08PIN(1X08).100CC STR		1		J8
14	16		1218819-06		PCB HEADER 05PIN(1X05).156CC STR		1		J7
15	17		1215341-00		PCB HEADER 40PIN(2X20).100CC STR		1		J1
16	18		1215341-03		PCB HEADER 14PIN(2X07).100CC STR		1		J5
17	19		1215006-07		SKT,IC 28PIN DIP TIN SOLD		8		XE46,XE51,XE152-XE157
18	20		1218783-00		JUMPER 02POS(1X02).100CC		1		W1
19	21		1300202-00		47.0 .25 W 5.0 % CF		4		R25-R28
20	22		1314187-00		6.19 K .25 W 1.0 % RN55D-F10		1		R11
21	23		1300316-00		470.0 .25 W 5.0 % CF		34		R175-R179,R2-R4,R36,R50,R30, R183-R196,R200-R208
22	24		1300365-00		1.0 K .25 W 5.0 % CF		24	CONT	R5,R6,R51-R66,R300-R303,R199, R304
23	25		1305374-00		910.0 .25 W 5.0 % CF		1	CONT	R1
24	26		1304866-00		2.0 K .25 W 1.0 % RN55D-F10		1		R14
25	27		1302862-00		50.0 .25 W 1.0 % RN55D-F10		1		R31
26	28		1311522-00		200.0 .25 W 5.0 % CF		3		R40,R35,R209
27	29		1305127-00		4.0 K .25 W 1.0 % RN55D-F10		1		R15

REVISION HISTORY			BASIC PART NO: 5414636			DRN: L.BARRETT			DATE: 31-DEC-80			D I G I T A L		
ENG	ECO NUMBER	REV	SECTION A OF A			CHK'D: P.BOSSMAN			DATE: 02-SEP-82			TITLE PARTS LIST		
---			SECTION VARIATION INDEX			DES.ENG: W.LEWIS			DATE: 02-SEP-82			AZTEC CONTROLLER MODULE		
B.L	5414636-SH001	B	(A)	00										
B.L	5414636-SH002	C	(B)											
B.W	5414636-SH003	D	(C)											
B.L	5414636-SH004	E	(D)											
B.W	5414636-SH007	J	(E)											
			(F)											
			(H)											
			(J)											
			(K)											
			(L)											
			(M)											
			(N)											
			RESP.ENG.: I.BELLETTIERE			DATE: 02-SEP-82			DOCUMENT NUMBER			SIZE!CODE! NUMBER ! REV		
			MFG.ENG.: DOUG SWIFT			DATE: 02-SEP-82			K PL 5414636-0-DBP			J		
			ASSEMBLY NUMBER:			TOP DOCUMENT NUMBER:			RELEASE DATE: 09-OCT-84					
			D-UA-5414636-0-0			#B-DD-5414636-0			FILE NAME: Z1495J.PLS			EDIT # 45		

"THIS DRAWING AND THE SPECIFICATIONS CONTAINED HEREIN ARE CONFIDENTIAL AND PROPRIETARY. THEY ARE THE PROPERTY OF DIGITAL EQUIPMENT CORPORATION AND SHALL NOT BE REPRODUCED OR COPIED OR USED IN WHOLE OR IN PART AS THE BASIS FOR THE MANUFACTURE OR SALE OF ITEMS WITHOUT WRITTEN PERMISSION. THIS IS AN UNPUBLISHED WORK PROTECTED UNDER THE FEDERAL COPYRIGHT LAWS."

LINE	ITEM	TOP DOCUMENT	PART NUMBER	MIN REV	DESCRIPTION	QTY PER VARIATION	REFERENCE DESIGNATOR
					VARIATION REVISION LEVEL:	00	
28	30		1314549-00		1.15 K .25 W 1.0 % RN55D-F10	2	R33,R34
29	31		1300229-00		100.0 .25 W 5.0 % CF	2	R9,R10
30	32		1303067-00		422.0 .25 W 1.0 % RN55D-F10	2	R23,R24
31	33		1316736-00		374.0 .25 W 1.0 % RN55D-F10	2	R12,R13
32	34		1305114-00		3.48 K .25 W 1.0 % RN55D-F10	2	R7,R8
33	35		1313587-00		*** THIS ITEM IS NOT USED ***	-	
34	36		1320309-01		R NETWORK 14-150 14-360 16PIN	8	E1,E17,E9-E14
35	37		1305126-00		619.0 .25 W 1.0 % RN55D-F10	2	R16,R17
36	38		1309341-00		4.70 M .25 W 5.0 % CF	1	R161
37	39		1509525-00		2N 3906 PNP 310MW SI 40100 Y	1	Q6
38	40		1518408-00		VN 90AB FET 6W N/CHNNL T0-39	1	Q4
39	41		1509524-00		2N 3904 NPN 310MW SI 40 40 M	3	Q3,Q5,Q7
40	42		1519472-01		2N 4209 PNP 300MW 15V@50MA	2	Q2,Q1
41	43		1612946-03		5.6 UH 10% Q MIN=52@7.9MHZ	1	L1
42	44		1610999-00		.47UH 10% 690MA#WEEWEE.47	1	L2
43	45		1811660-01		OSCILLATOR, XTAL 10.000 MHZ	1	E52
44	46		1811660-43		OSCILLATOR, XTAL 27.027 MHZ	1	E121
45	47		1910532-00		74S00 NAND GATE-QUAD 2IN	1	E31
46	48		1910534-00		74S04 INVERTER GATE-HEX 1I	2	E76,E113
47	49		1910536-00		74S10 NAND GATE-TRIPLE 3IN	1	E115
48	50		1910537-00		74S11 AND GATE-TRIPLE 3INP	1	E114
49	51		1910539-00		74S20 NAND GATE-DUAL 4INPU	1	E103
50	52		1910542-00		74S64 A-0-I GATE 4-2-3-2	1	E91
51	53		1910544-00		74S74 FF-D DUAL,EDGE TRIGG	5	E100,E102,E77,E65,E16
52	54		1910544-01		74S74-60GG-D DUAL,EDGE TRIG	1	E39
53	55		1910545-00		74S112 FF-JK DUAL,EDGE TRIG	3	E99,E101,E53
54	56		1910546-00		74S140 NAND GATE-DUAL 4INPU	1	E50
55	57		1910547-00		74S153 MUX 1 OF 4 (DUAL)	1	E87
56	58		1910552-00		74S194 SHIFT REG.,4BIT RIGH	2	E40,E41
57	59		1910741-00		7406 INVERTER GATE-HEX 1I	1	E2
58	60		1912805-00		LS08 AND GATE-QUAD 2IN,PO	1	E78
59	61		1911414-00		10124 TTL TO ECL TRNSLTR	1	E74
60	62		1912829-00		LS86 X-OR GATE-QUAD 2IN	1	E19
61	63		1911402-00		10105 OR/NOR GATE,2-3-2	1	E72
62	64		1911675-00		74S138 DECODER/DEMUX 3-8 LI	2	E116,E117
63	65		23A1 -07		32X 8 TTL, PROM,TRI STA,	1	E62
64	66		1911712-00		74S51 AND-OR GATE-INVERT D	1	E38
65	67		1911944-00		555CN TIMER,FUNCT.BLOCK	1	E36
66	68		1911983-00		74S133 NAND GATE-POSITIVE 1	1	E140
67	69		1912096-00	DEC	74S86 XOR GATE,QUAD 2IN	1	E124
68	70		1912097-00	SN	74S182 LOOK AHD CARRY GEN	1	E94
69	71		1912388-00		74S02 NOR GATE-QUAD 2IN,PO	3	E75,E110,E37
70	72		1912389-00		74S08 AND GATE-QUAD 2IN,PO	2	E109,E88
71	73		1912728-00		74S251 MUX 1 OF 8 TRI-STA	4	E32-E35
72	74		1912746-00	DEC	74S37 NAND GATE-QUAD 2IN	1	E122
73	75		1912799-00		LS00 NAND-GATE-QUAD 2IN,P	1	E66
74	76		1912803-00		LS04 INVERTER GATE,HEX	1	E123
75	77		1912811-00		LS21 AND GATE-DUAL 4IN,PO	1	E85

D	I	S	I	T	A	L	TITLE	SECTION A	OF	A	SIZE	CODE	DOCUMENT NUMBER	REV
							AZTEC CONTROLLER MODULE				K	PL	5414636-0-DBP	J

LINE	ITEM	TOP DOCUMENT	PART NUMBER	MIN REV	DESCRIPTION	QTY	PER VARIATION	REFERENCE DESIGNATOR
						00		
76	78		1912824-00		LS74 FF-D DUAL,EDGE TRIGG	5		E54,E67,E55,E18,E80
77	79		1912697-00		LS174 FF-D HEX W/CLEAR	2		E133,E134
78	80		1912847-00		LS157 MUX 1 OF 2(QUAD)	6		E92,E95,E96,E47,E125,E93
79	81		1912849-00		LS161 COUNTER,SYNCHR,4BIT	1		E64
80	82		1912857-00		LS197 COUNTER,BINARY,PRESET	1		E49
81	83		1912860-00		LS259 LATCH 8BIT	2		E89,E90
82	84		1913017-00		3046 XSISTOR ARRAY,3 ISOL	1		E29
83	85		1913220-00		10216 RECEIVER,TRIPLE LINE	2		E28,E73
84	86		1913245-02		2901A-1 MICROPROCESSOR 4-	4		E104-E107
85	87		1913340-00		74S32 OR GATE-QUAD 2IN	2		E120,E79
86	88		1913462-00		74S240 OCTAL BUFFER,INVERTI	1		E119
87	89		1912850-00		LS164 SHIFT REG. 8BIT SERI	1		E98
88	90		1910550-00		74S174 FF-D HEX	2		E147,E148
89	91		1913939-00		LS191 COUNTER,SYNCHR. UP/D	4		E69,E84,E48,E61
90	92		1914214-00		LS374 FF-D OCTAL EDGE TRIG	7		E138,E141,E43,E44,E142,E71,E139
91	93		1914558-00	SN	74S132N NAND GATE QUAD 2IN P	1		E86
92	94		1914866-00	AM	93S48PCGEN/CHECK PARITY, 4B	4		E126-E128,E131
93	95		1915193-00		LS244 DRIVER,LINE,OCTAL,T	3		E130,E3,E70
94	96		1915218-00		LS245 TRANSCEIVER,BUS,OCT	2		E60,E83
95	97		1915219-00		LS373 FF-D OCTAL-TRANSPARE	2		E56,E57
96	98		1915305-00	AM	2908 TRANSCEIVER,BUS,LATCH	4		E23-E26
97	99		1916680-01		2911A MICROPROGRAM SEQUENC	6		E135-E137,E149-E151
98	100		1917043-01	DC	018 SERIALIZER/DESERIALI	1		E68
99	101		1917956-00		LS280 PARITY GEN/CHK,9BIT,	1		E129
100	102		1917957-00		74S162N DECADE COUNTER,4-BIT	1		E112
101	103		1918018-00		VOLT REG FIX +12V	1		Z1
102	104		1920116-01	DC	024 ENCODER/DECODER,2/3	1		E51
103	105		2115102-00	DEC	DC309 NMOS CUSTOM LSI FOR	1		E45
104	106	FOR J10,HINGE	9006732-00		EYELET,ROLLED 0.1210DX0.219	6		
105	107		1305323-00		511.0 K .25 W 1.0 % RN55D-F10	1		R160
106	108		1912848-00		LS158 MUX 1 OF 2 (QUAD)	1		E30
107	109		1911401-00		10104 AND GATE,QUAD 2IN	1		E63
108	110		2117872-02		RAM 2KX8 I/O MUXD 12	4		E58,E59,E81,E82
109	111		23E4 -06		*** THIS ITEM IS NOT USED ***	-		
110	112		1919581-01		3448 TRANSCEIVER,IEEE-488	5		E4-E6,E132,E146
111	113		1913788-00		26S10 TRANSCEIVER,BUS,QUA	4		E8,E7,E21,E22
112	115		1913777-00		LS240 DRIVER,LINE,OCTAL,T	1		E42
113	116		1912863-00		LS273 FF-D OCTAL W/CLEAR	1		E20
114	117		1216832-03		PCB,HEADER 50POS(2X25).100CC 90D	1		J3
115	118		1215323-02		PCB HEADER 02PIN(1X02).100CC STR	1		J9
116	119		1611257-01		CHOKE(CERAMIC BEAD)AXIAL LEAD,ON	4		L4-L7
117	120	FOR W1,W2,W3,TP1	9009149-00		PIN,STAKNG 0.0250DX0.345LG SQUAR	8		
118	121		9007113-00		TERM QUICK .130DIA .250TAB BR/T	1		J10
119	122	USED UNDER Z1,Q4	9007254-00		TRANSIPADS #10146	2		
120	123	D-MD-5014635-0-0	5014635-00		DRILL & ETCH BRD.	1		
121	124		9105740-55		WIRE(WRAP) 30AWG KYNAR UL14	A/R		
122	125		9009185-00		JUMPER, WIRE, INSULATED, BLACK B	1		W4
123	126		1215006-02		SKT,IC 16PIN DIP TIN SOLD	1		XE62

D	I	G	I	T	A	L	TITLE	SECTION A	OF	A	SIZE	CODE	DOCUMENT NUMBER	REV
							AZTEC CONTROLLER MODULE				K	PL	5414636-0-DBP	J

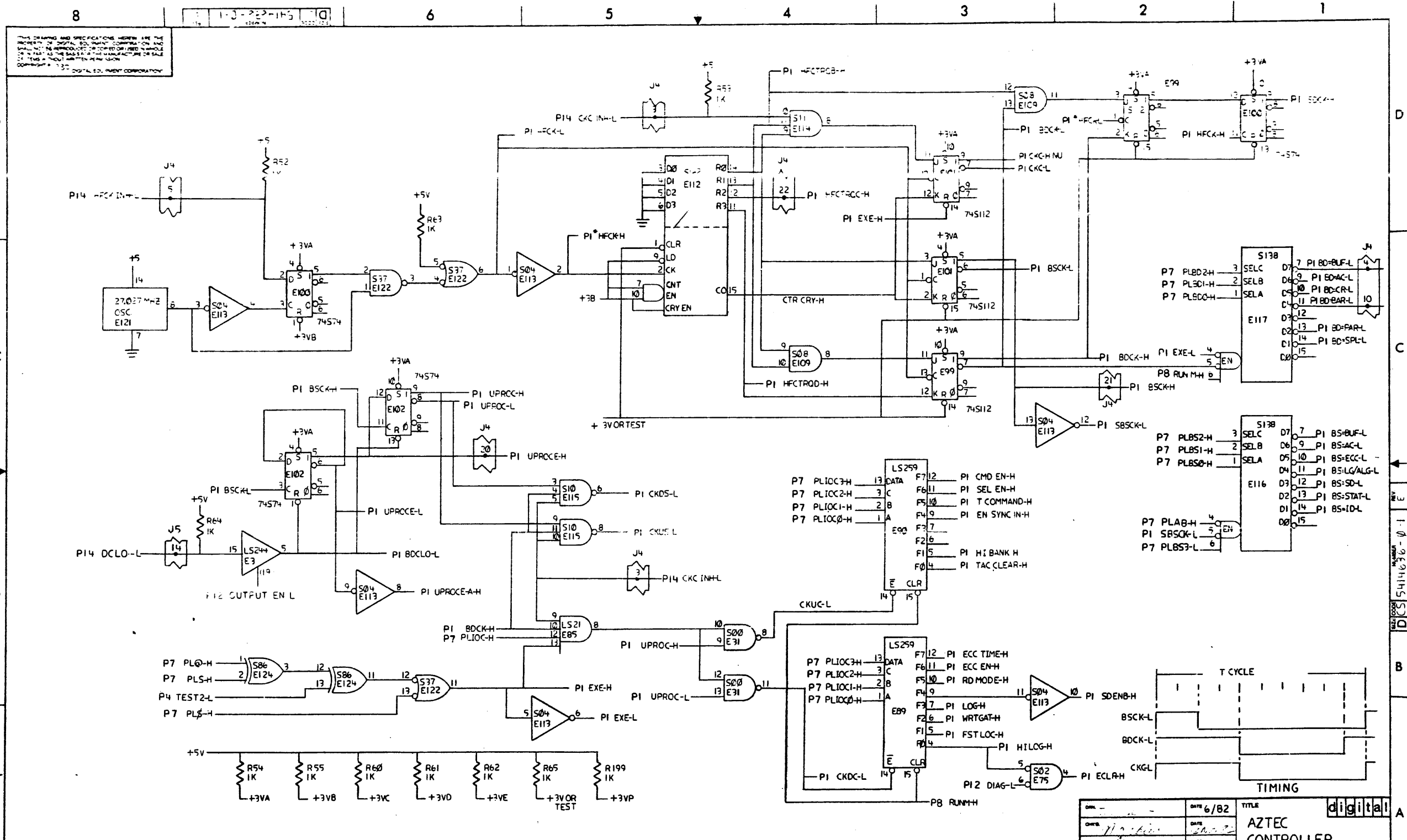
AUTOMATED BY PRTLST.3P(44)

PARTS LIST

SHEET A4 OF A4

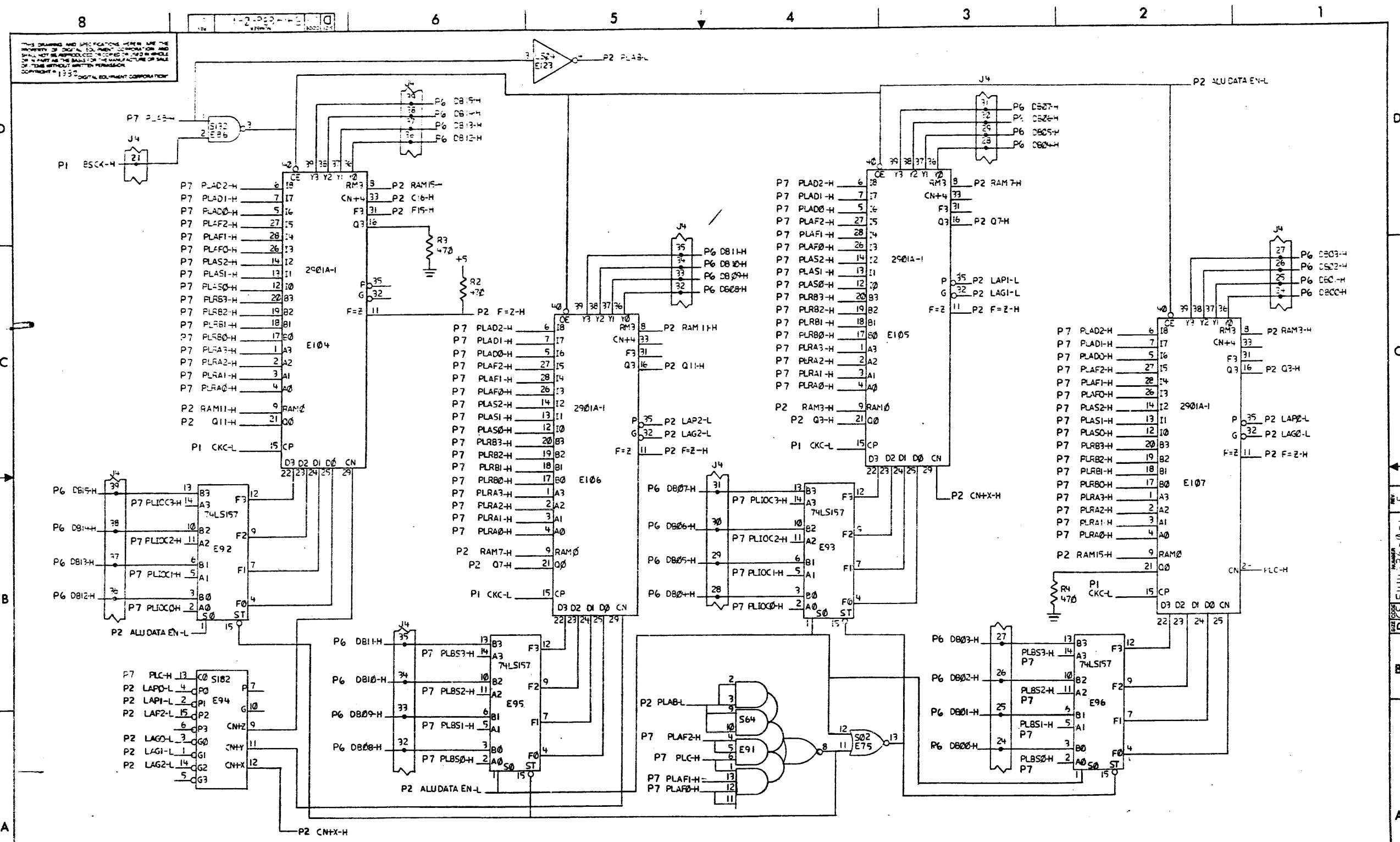
LINE	ITEM	TOP DOCUMENT	PART NUMBER	MIN REV	DESCRIPTION	VARIATION	REVISION LEVEL	QTY PER VARIATION	REFERENCE DESIGNATOR
								00	
124	127		9107370-00		*** THIS ITEM IS NOT USED ***			-	
125	128	D-MD-7425079-0-DBU	7425079-00		*** THIS ITEM IS NOT USED ***			-	
126	129	BLANK						0	
127	130	FOR J11	9006020-01		*** THIS ITEM IS NOT USED ***			-	
128	131	FOR J11	9008185-00		*** THIS ITEM IS NOT USED ***			-	
129	132		1302466-00		100.0 K .25 W 5.0 %		CF	1	R32
130	133		1302092-00		220.0 K .25 W 5.0 %		CF	1	R37
131	134		1300447-00		4.70 K .25 W 5.0 %		CF	1	R38
132	135		1300479-00		10.0 K .25 W 5.0 %		CF	1	R39
133	136	D-MD-7425074-0-DBU	7425074-00		HINGE, CONTROLLER			1	
134	137		23271E4-00		/REPLACED BY 23-323E4-00			1	E152
135	138		23272E4-00		/REPLACED BY 23-324E4-00			1	E153
136	139		23273E4-00		/OBSOLETE			1	E154
137	140		23274E4-00		/REPLACED BY 23-326E4-00			1	E155
138	141		23275E4-00		/REPLACED BY 23-327E4-00			1	E156
139	142		23276E4-00		/REPLACED BY 23-328E4-00			1	E157
140	143		23295E4-00		/REPLACED BY 23-329E4-00			1	E46
141	144		1911641-00		SN 74S257 MUX, QUAD 2 TO 1			1	E143
142	145		1913671-00		74S374 FF-D, OCTAL, TR1 STATE			2	E144, E145

D	I	I	T	A	L	TITLE	SECTION A OF A	SIZE	CODE	DOCUMENT NUMBER	REV
						AZTEC CONTROLLER MODULE		K	PL	5414636-0-DBP	J



REVISION HISTORY			
DATE	ECO NUMBER	REV.	
5/11/82	5414636-001	1	B. LEWIS
5/11/82	5414636-SH002-IC	1	B. LEWIS
5/11/82	5414636-SH003-IC	1	B. LEWIS
5/11/82	5414636-SH007-IC	1	B. LEWIS

DATE	6/82	TITLE	digital
DATE		AZTEC	
DATE		CONTROLLER	
DATE		DOCUMENT NUMBER	
DATE		SIZE	D
DATE		CODE	CS
DATE		NUMBER	5414636-0-1
DATE		REV.	E
DATE		SCALE	
DATE		SHEET	14
DATE		OF	14



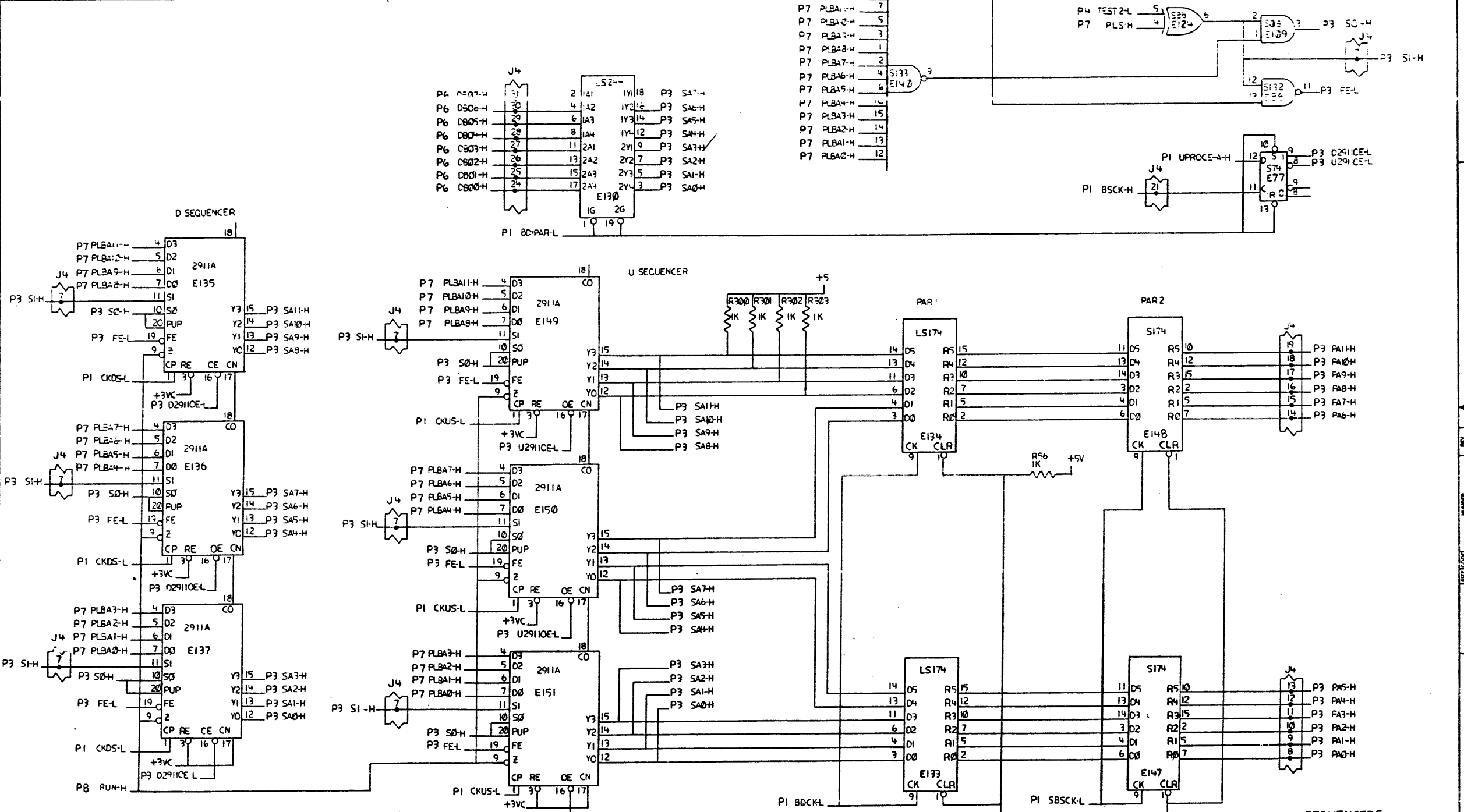
THIS DRAWING AND SPECIFICATIONS HEREIN ARE THE PROPERTY OF DIGITAL EQUIPMENT CORPORATION AND SHALL NOT BE REPRODUCED, COPIED, OR TRANSMITTED IN ANY FORM OR BY ANY MEANS, ELECTRONIC OR MECHANICAL, WITHOUT WRITTEN PERMISSION OF DIGITAL EQUIPMENT CORPORATION.

REVISION HISTORY		
DATE	ECO NUMBER	REV.

TITLE
AZTEC CONTROLLER

DOCUMENT NUMBER		
SIZE	CODE	NUMBER
D	CS	5414636-0-1
SCALE	---	SHEET 2 OF 14

THIS DRAWING AND SPECIFICATIONS HEREBY ARE THE PROPERTY OF DODGE ELECTRONIC CORPORATION AND SHALL NOT BE REPRODUCED OR COPIED OR USED IN WHOLE OR IN PART AS THE BASIS FOR THE MANUFACTURE OF ANY OF THE PRODUCTS DESCRIBED HEREIN WITHOUT THE WRITTEN PERMISSION OF DODGE ELECTRONIC CORPORATION.



PLK-H

P7 PLBA11-H	11
P7 PLBA10-H	7
P7 PLBA9-H	5
P7 PLBA8-H	3
P7 PLBA7-H	1
P7 PLBA6-H	2
P7 PLBA5-H	4
P7 PLBA4-H	6
P7 PLBA3-H	15
P7 PLBA2-H	14
P7 PLBA1-H	13
P7 PLBA0-H	12

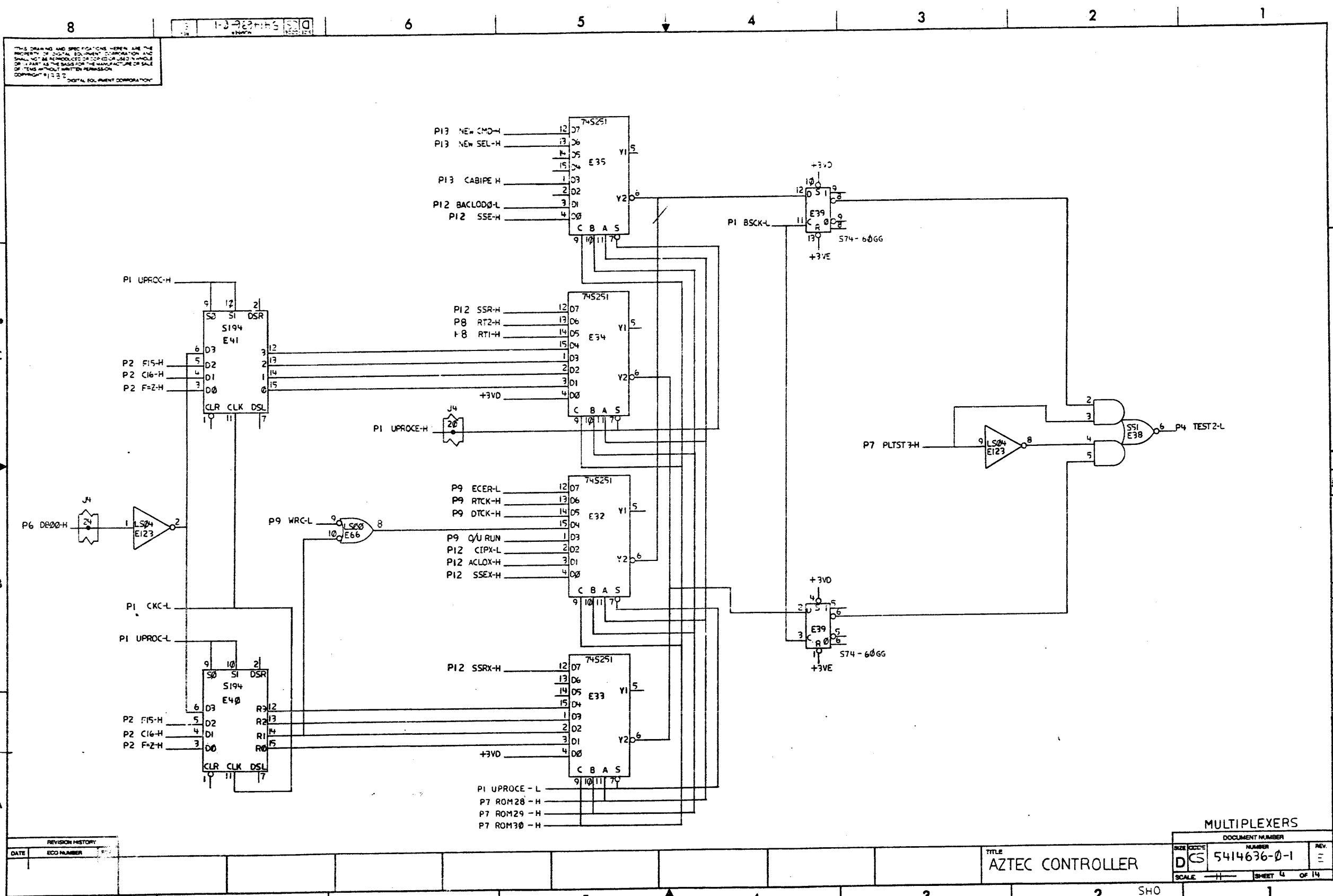
PI BSCK-H

P3 S0-H	10
P3 S1-H	11
P3 S2-H	12
P3 S3-H	13
P3 S4-H	14
P3 S5-H	15
P3 S6-H	16
P3 S7-H	17
P3 S8-H	18
P3 S9-H	19
P3 S10-H	20

REVISION HISTORY		
DATE	ECO NUMBER	REV.

SEQUENCERS

TITLE		DOCUMENT NUMBER	
AZTEC CONTROLLER		5414636-04	
SCALE	SHEET	OF	REV.
	3	14	



THIS DRAWING AND SPECIFICATIONS HEREIN ARE THE PROPERTY OF DIGITAL EQUIPMENT CORPORATION AND SHALL NOT BE REPRODUCED OR COPIED OR USED IN WHOLE OR IN PART AS THE BASIS FOR THE MANUFACTURE OF SALE OR REPAIRS WITHOUT WRITTEN PERMISSION OF DIGITAL EQUIPMENT CORPORATION

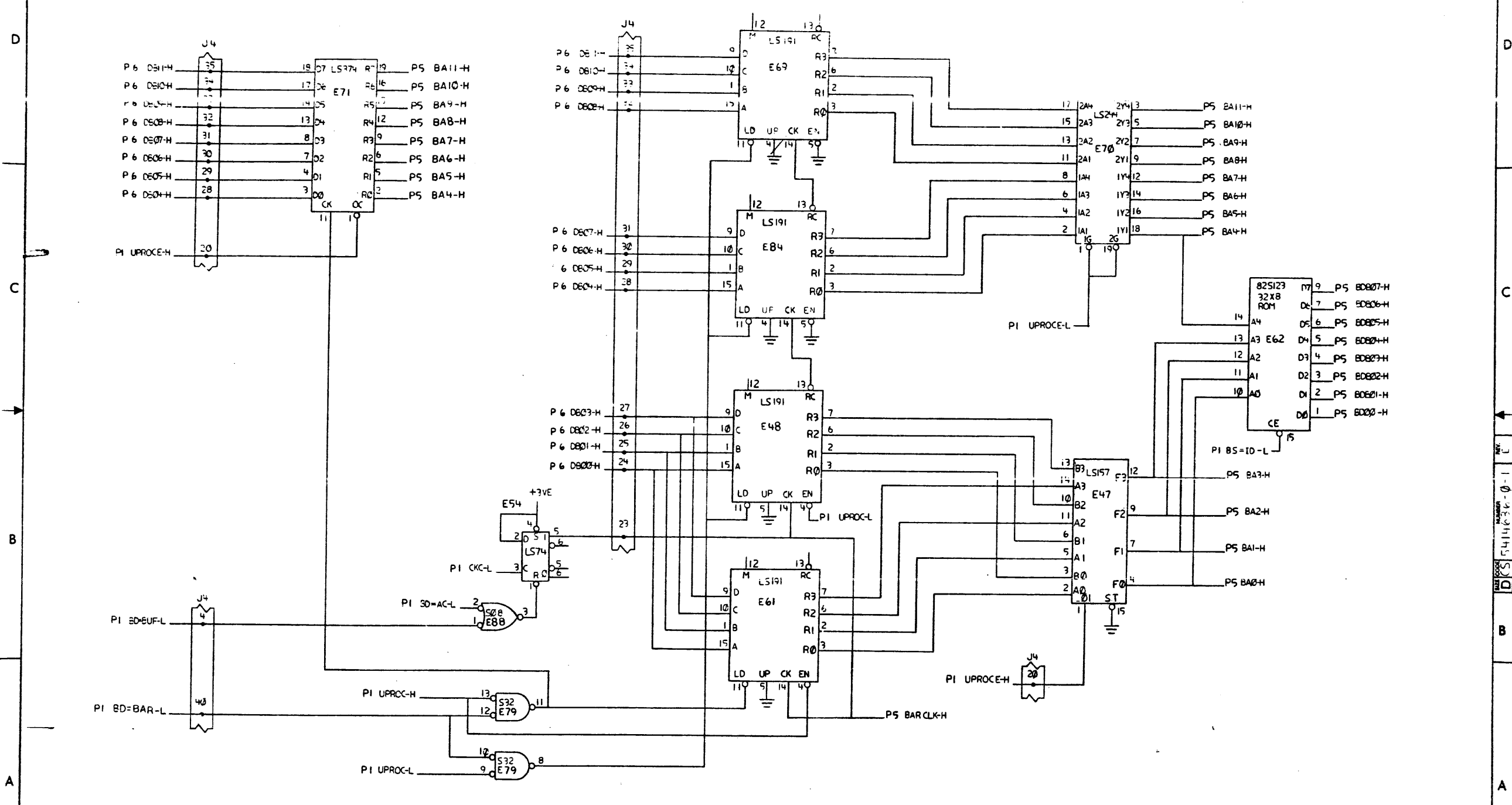
REVISION HISTORY	
DATE	ECO NUMBER

TITLE
AZTEC CONTROLLER

MULTIPLEXERS		
DOCUMENT NUMBER		
SIZE	NUMBER	REV.
DCS	5414636-0-1	1
SCALE	SHEET 4 OF 14	

DCS 5414636-0-1 E

THIS DRAWING AND SPECIFICATIONS HEREIN ARE THE PROPERTY OF DIGITAL EQUIPMENT CORPORATION AND SHALL NOT BE REPRODUCED OR TRANSMITTED IN ANY FORM OR BY ANY MEANS, ELECTRONIC OR MECHANICAL, INCLUDING PHOTOCOPYING, RECORDING, OR BY ANY INFORMATION STORAGE AND RETRIEVAL SYSTEM, WITHOUT THE WRITTEN PERMISSION OF DIGITAL EQUIPMENT CORPORATION.

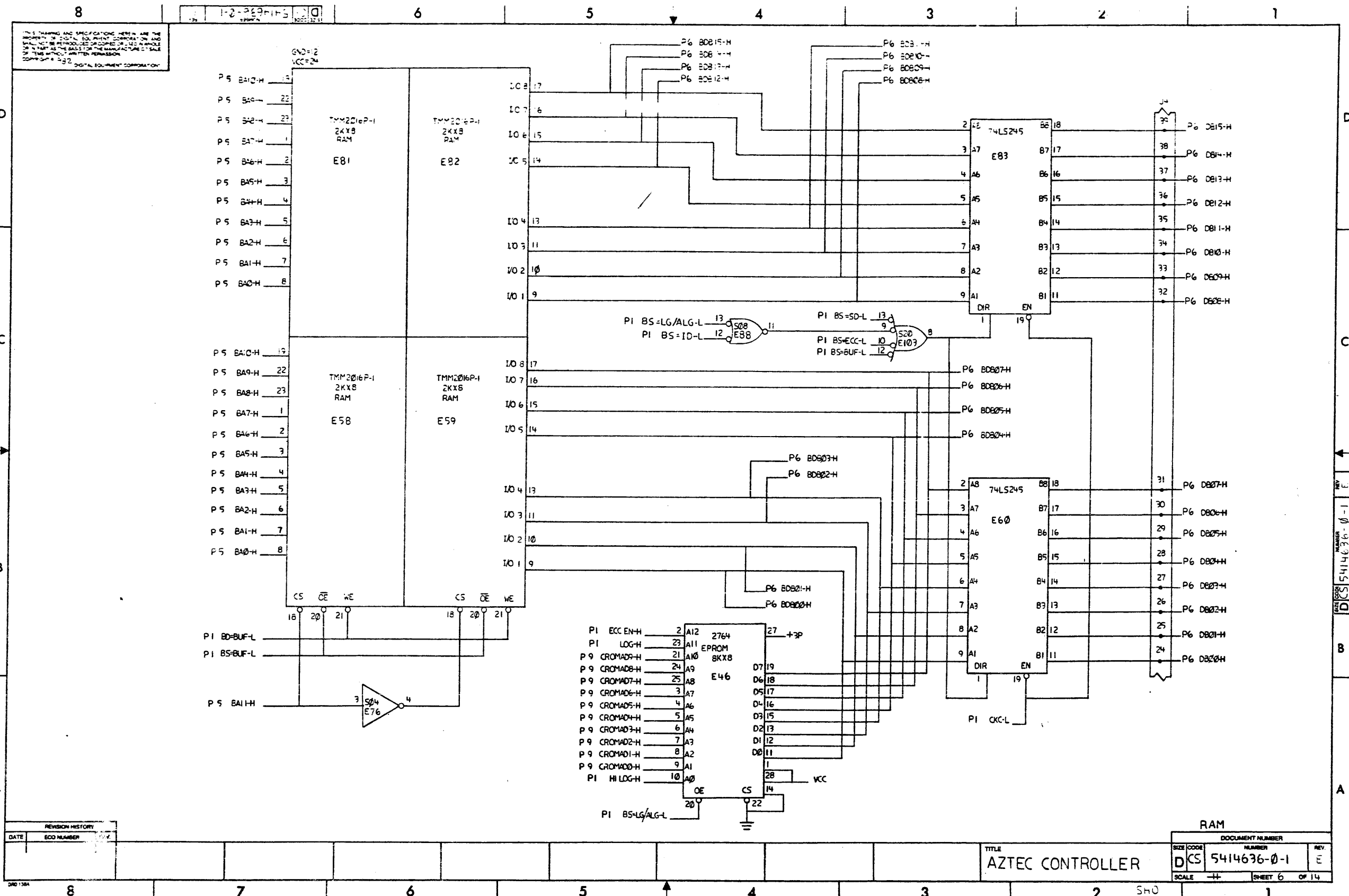


REVISION HISTORY		
DATE	ECO NUMBER	REV.

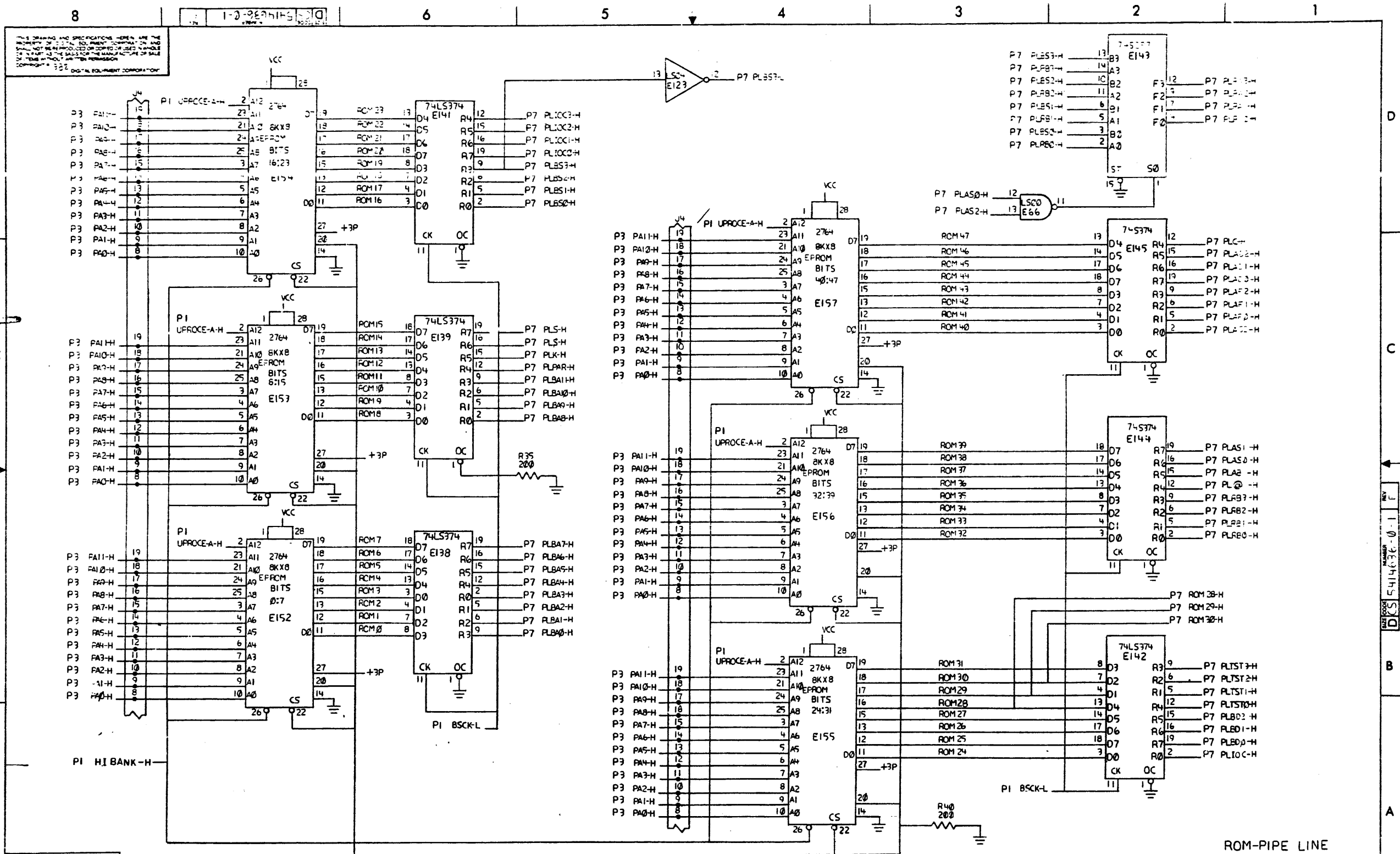
UBAR, DBAR

TITLE: AZTEC CONTROLLER

SIZE	CODE	DOCUMENT NUMBER	REV.
D	CS	5414636-0-1	E
SCALE	1:1	SHEET 5	OF 14



DCS 5414636-0-1
 REV. 1

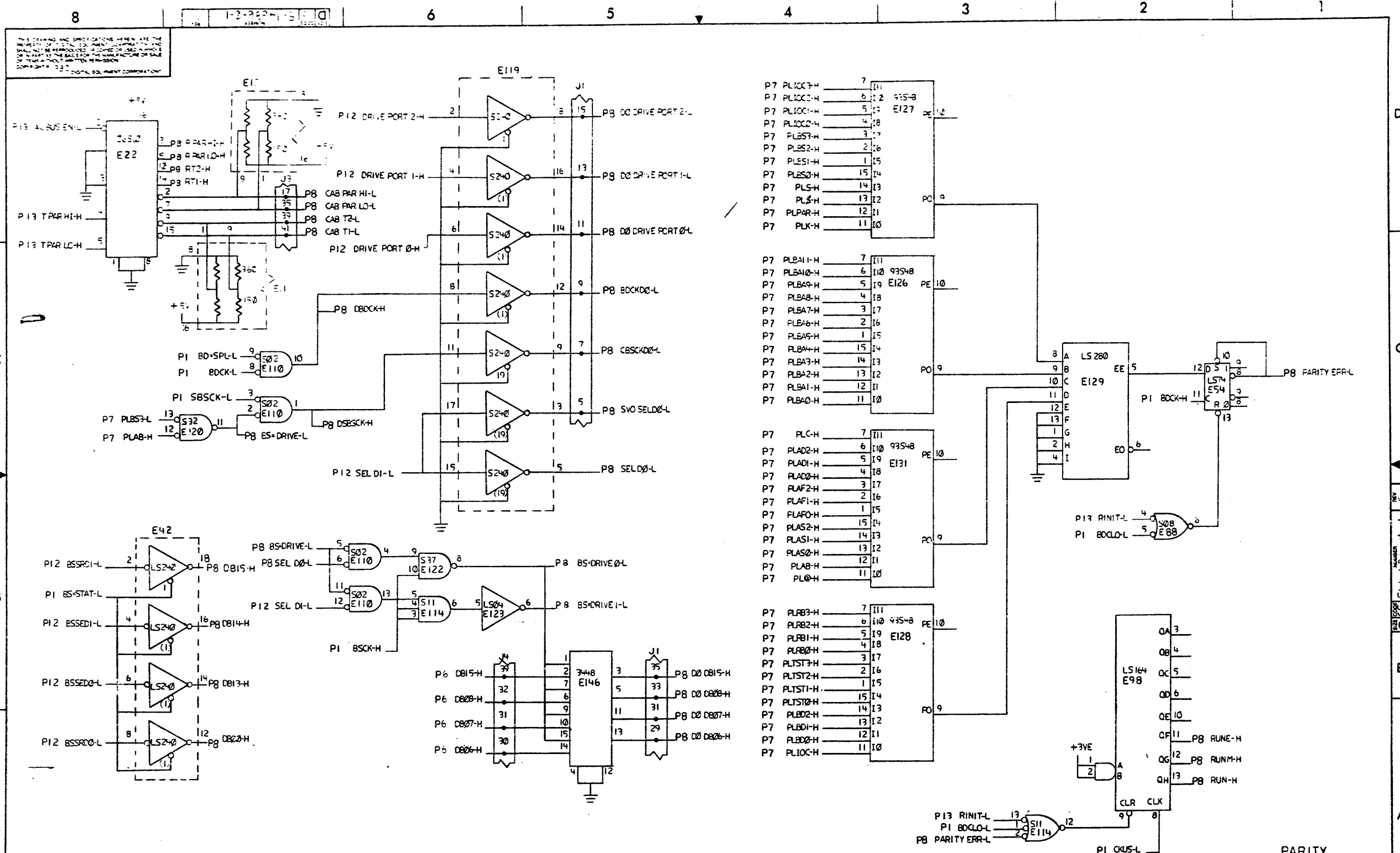


THIS DRAWING AND SPECIFICATIONS HEREIN ARE THE PROPERTY OF THE COMPANY. NO PART OF THIS DRAWING OR SPECIFICATIONS SHALL BE REPRODUCED OR COPIED IN ANY MANNER WITHOUT THE WRITTEN PERMISSION OF THE COMPANY.

REVISION HISTORY		
DATE	ECO NUMBER	REV.

TITLE
AZTEC CONTROLLER

DOCUMENT NUMBER		
SIZE	CODE	NUMBER
D	CS	5414636-0-1
SCALE	H	SHEET 7 OF 14



- P7 PLICK7-H 7 111
- P7 PLICK2-H 6 110 935-B
- P7 PLICK1-H 5 19 E127
- P7 PLICK0-H 4 18
- P7 PLBS7-H 3 17
- P7 PLBS2-H 2 16
- P7 PLES1-H 1 15
- P7 PLBS0-H 15 14
- P7 PLS-H 14 13
- P7 PLS-H 13 12
- P7 PLPAR-H 12 11
- P7 PLK-H 11 10

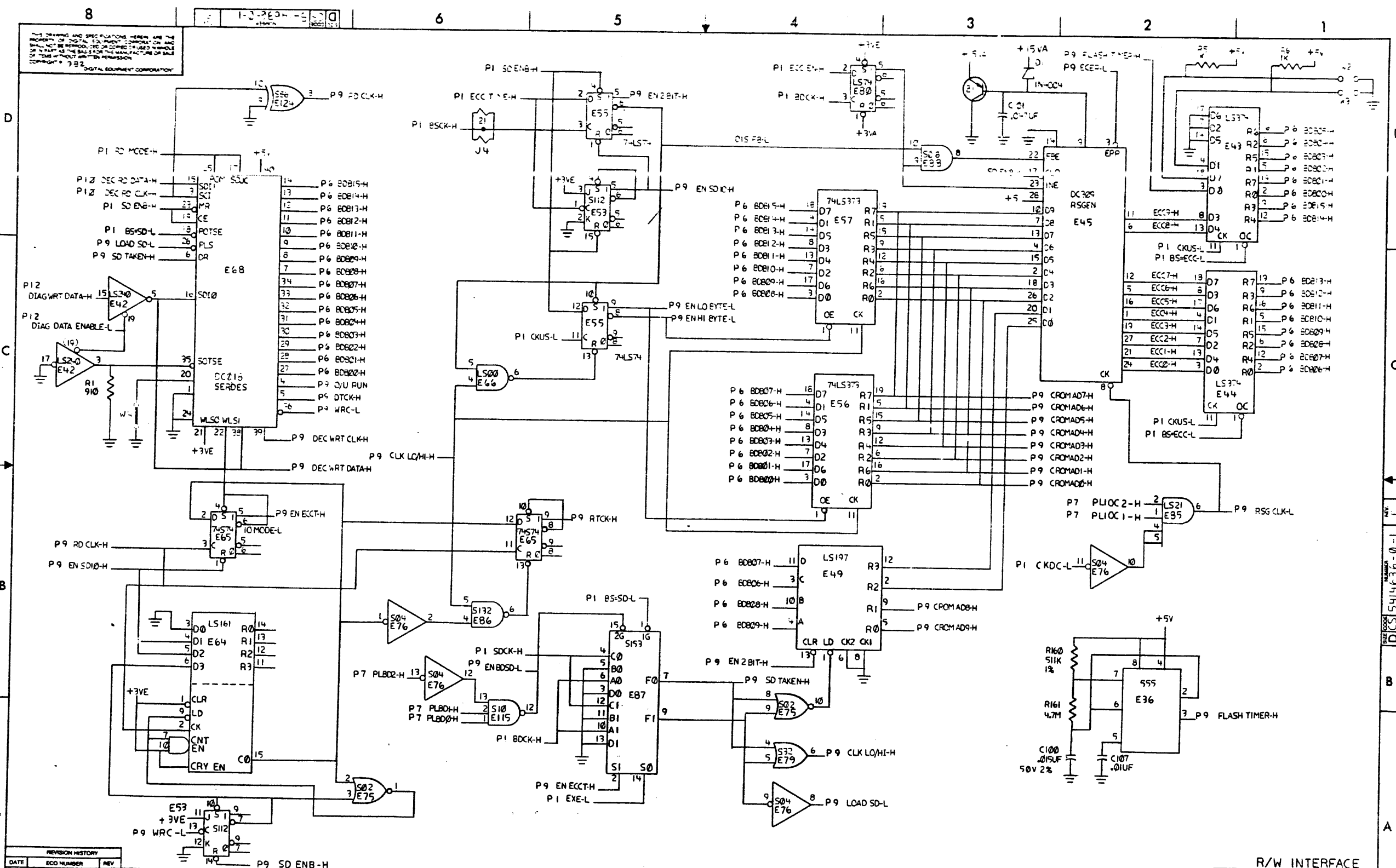
- P7 PLBA11-H 7 111
- P7 PLBA10-H 6 110 935-B
- P7 PLBA9-H 5 19 E126
- P7 PLBA8-H 4 18
- P7 PLBA7-H 3 17
- P7 PLBA6-H 2 16
- P7 PLBA5-H 1 15
- P7 PLBA4-H 15 14
- P7 PLBA3-H 14 13
- P7 PLBA2-H 13 12
- P7 PLBA1-H 12 11
- P7 PLBA0-H 11 10

- P7 PLC-H 7 111
- P7 PLAD2-H 6 110 935-B
- P7 PLAD1-H 5 19 E131
- P7 PLAD0-H 4 18
- P7 PLAF2-H 3 17
- P7 PLAF1-H 2 16
- P7 PLAF0-H 1 15
- P7 PLAS2-H 15 14
- P7 PLAS1-H 14 13
- P7 PLAS0-H 13 12
- P7 PLAB-H 12 11
- P7 PL0-H 11 10

- P7 PLR83-H 7 111
- P7 PLR82-H 6 110 935-B
- P7 PLR81-H 5 19 E128
- P7 PLR80-H 4 18
- P7 PLTST3-H 3 17
- P7 PLTST2-H 2 16
- P7 PLTST1-H 1 15
- P7 PLTST0-H 15 14
- P7 PLB02-H 14 13
- P7 PLB01-H 13 12
- P7 PLB00-H 12 11
- P7 PLIOC-H 11 10

REVISION HISTORY		
DATE	ECO NUMBER	REV.

TITLE		DOCUMENT NUMBER	
AZTEC CONTROLLER		DCS 5414636-0-1	
SCALE	SHEET	OF 14	
	B		



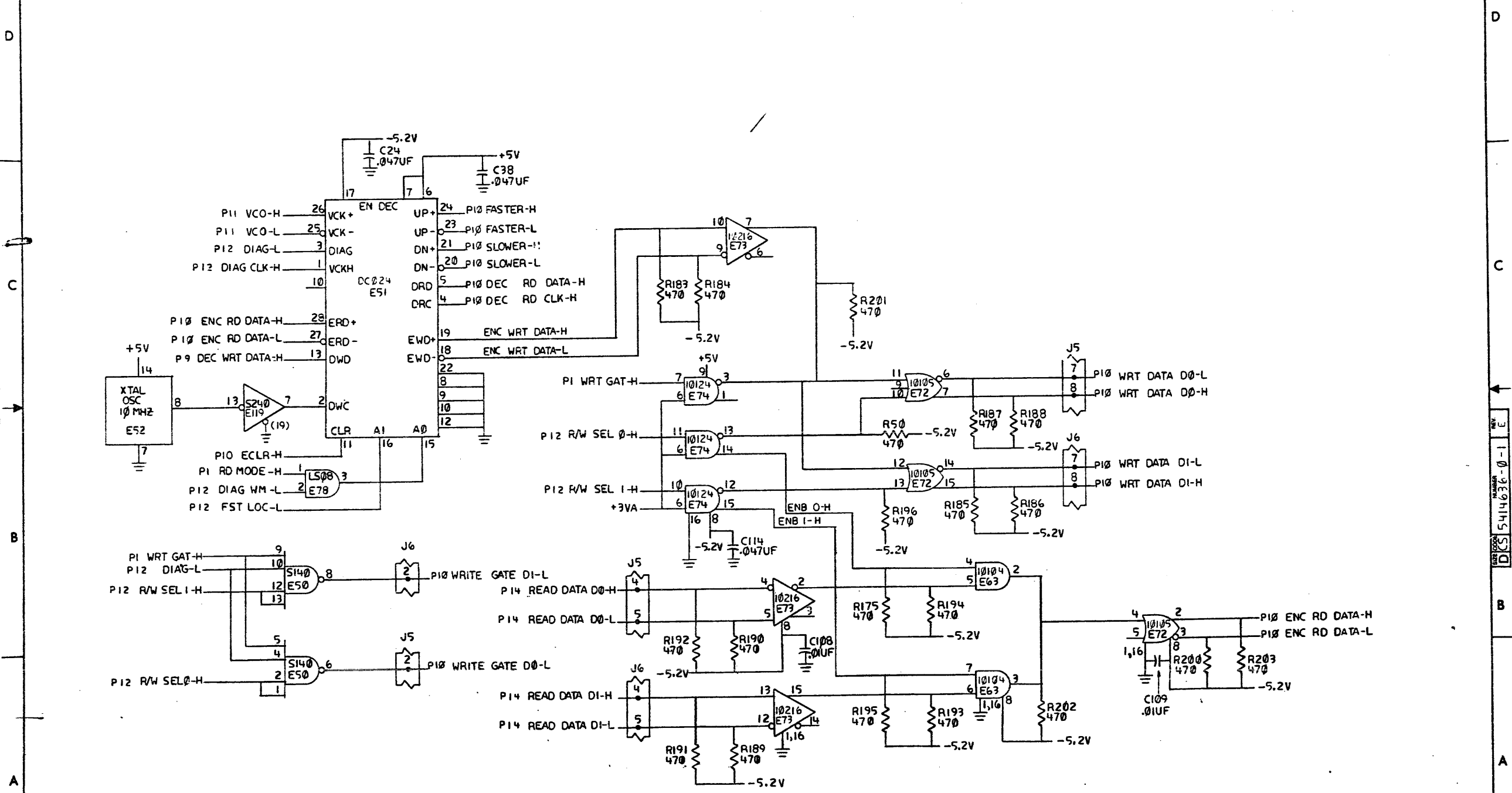
THIS DRAWING AND SPECIFICATIONS HEREIN ARE THE PROPERTY OF DIGITAL EQUIPMENT CORPORATION AND SHALL NOT BE REPRODUCED OR COPIED IN WHOLE OR IN PART AS THE BASIS FOR THE MANUFACTURE OR SALE OF ITEMS WITHOUT WRITTEN PERMISSION. COPYRIGHT © 1982, DIGITAL EQUIPMENT CORPORATION.

REVISION HISTORY		
DATE	ECO NUMBER	REV

TITLE		DOCUMENT NUMBER	
AZTEC CONTROLLER		DCS	5414636-0-1
SCALE		SHEET	9 OF 14

DCS 5414636-0-1

THE DRAWING AND SPECIFICATIONS HEREIN ARE THE PROPERTY OF DIGITAL EQUIPMENT CORPORATION AND SHALL NOT BE REPRODUCED OR COPIED OR USED IN WHOLE OR IN PART AS THE BASIS FOR THE MANUFACTURE OR SALE OF THIS WITHOUT WRITTEN PERMISSION FROM DIGITAL EQUIPMENT CORPORATION.



REVISION HISTORY		
DATE	ECO NUMBER	REV.

TITLE
AZTEC CONTROLLER

DOCUMENT NUMBER		
SIZE	CODE	NUMBER
D	CS	5414636-0-1
SCALE	H	SHEET 10 OF 14

8

1-0-369hms

6

5

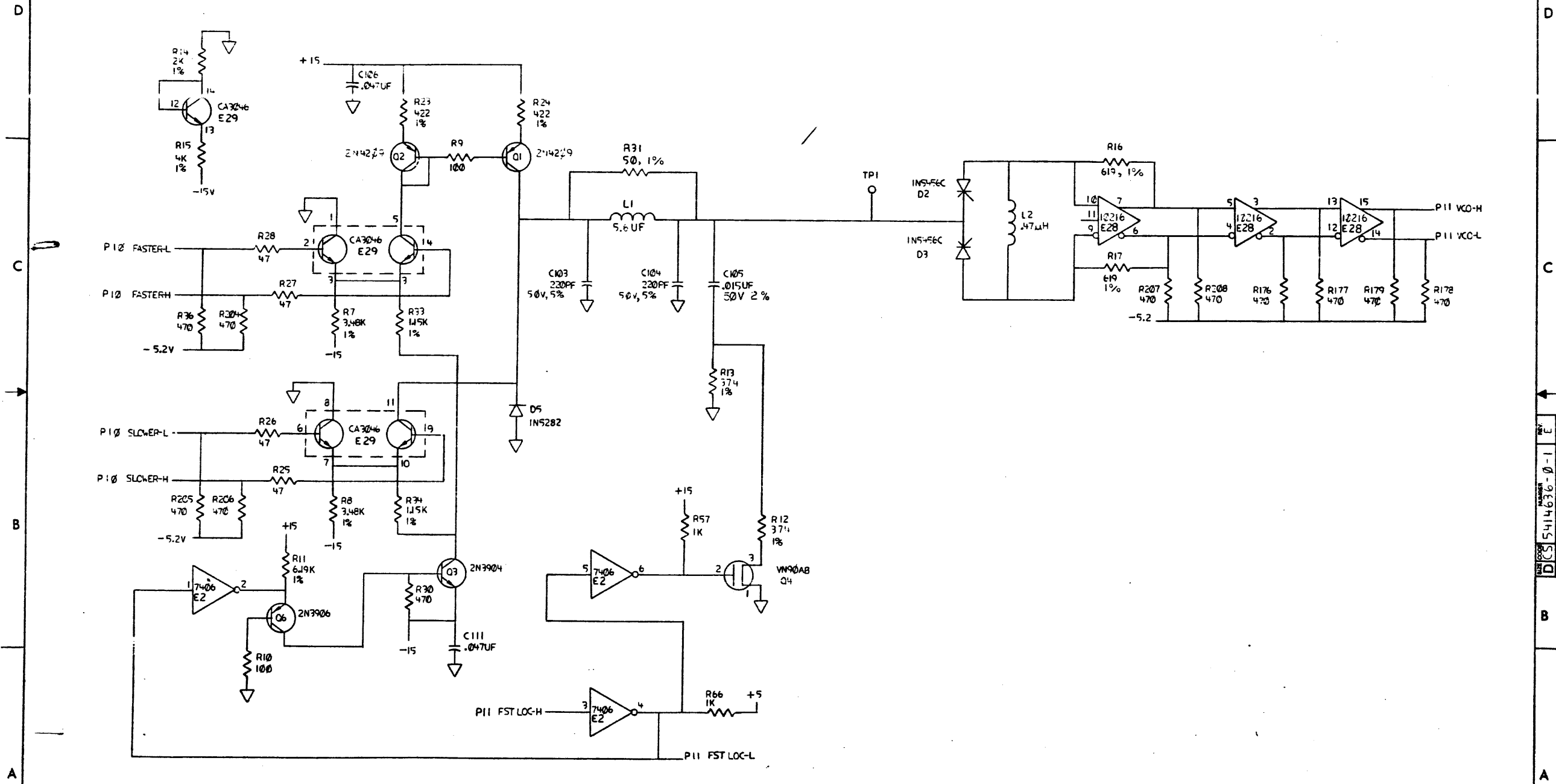
4

3

2

1

ALL DIMENSIONS AND SPECIFICATIONS HEREIN ARE THE PROPERTY OF DIGITAL EQUIPMENT CORPORATION AND SHALL NOT BE REPRODUCED OR COPIED OR USED IN WHOLE OR IN PART AS THE BASIS FOR THE MANUFACTURE OF SALE OF TEST WITHOUT WRITTEN PERMISSION.
 COPYRIGHT © 1975 DIGITAL EQUIPMENT CORPORATION



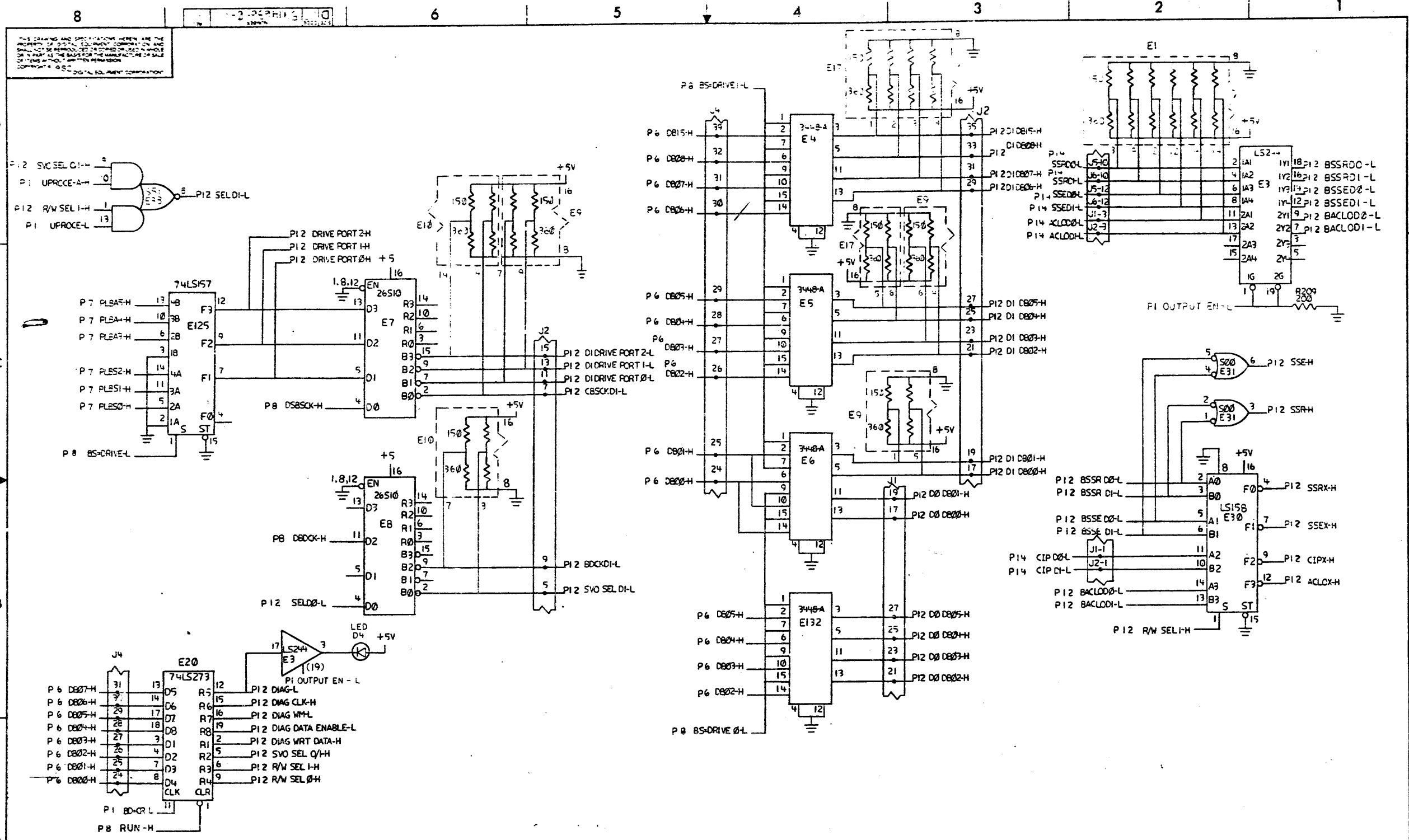
REVISION HISTORY		
DATE	ECO NUMBER	REV.

TITLE
 AZTEC CONTROLLER

PHASE LOCK OSC.

DOCUMENT NUMBER		
SIZE CODE	NUMBER	REV.
DCS	5414636-0-1	E
SCALE	SHEET 11 OF 14	

8 7 6 5 4 3 2 1

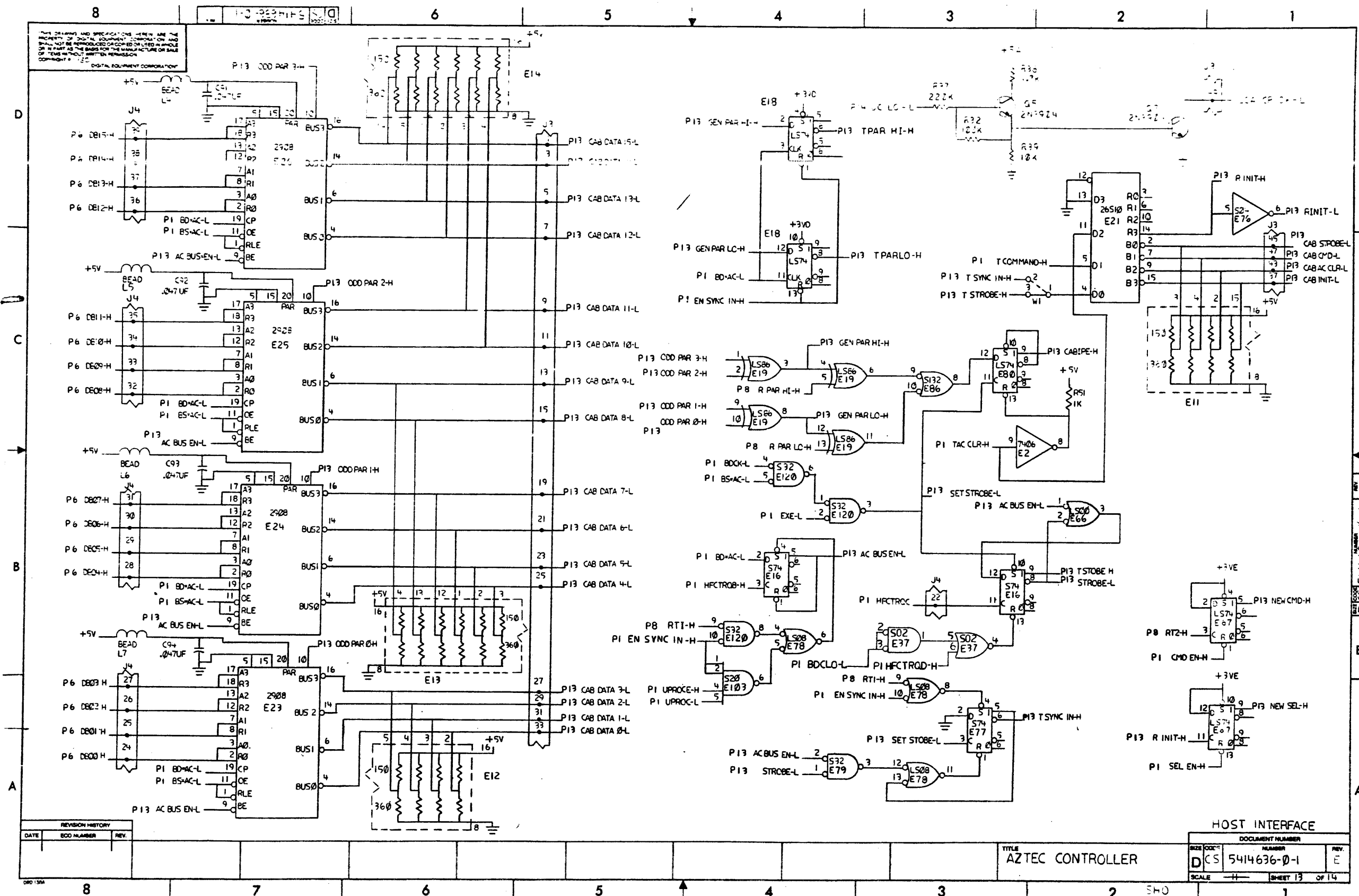


R/W INTERFACE

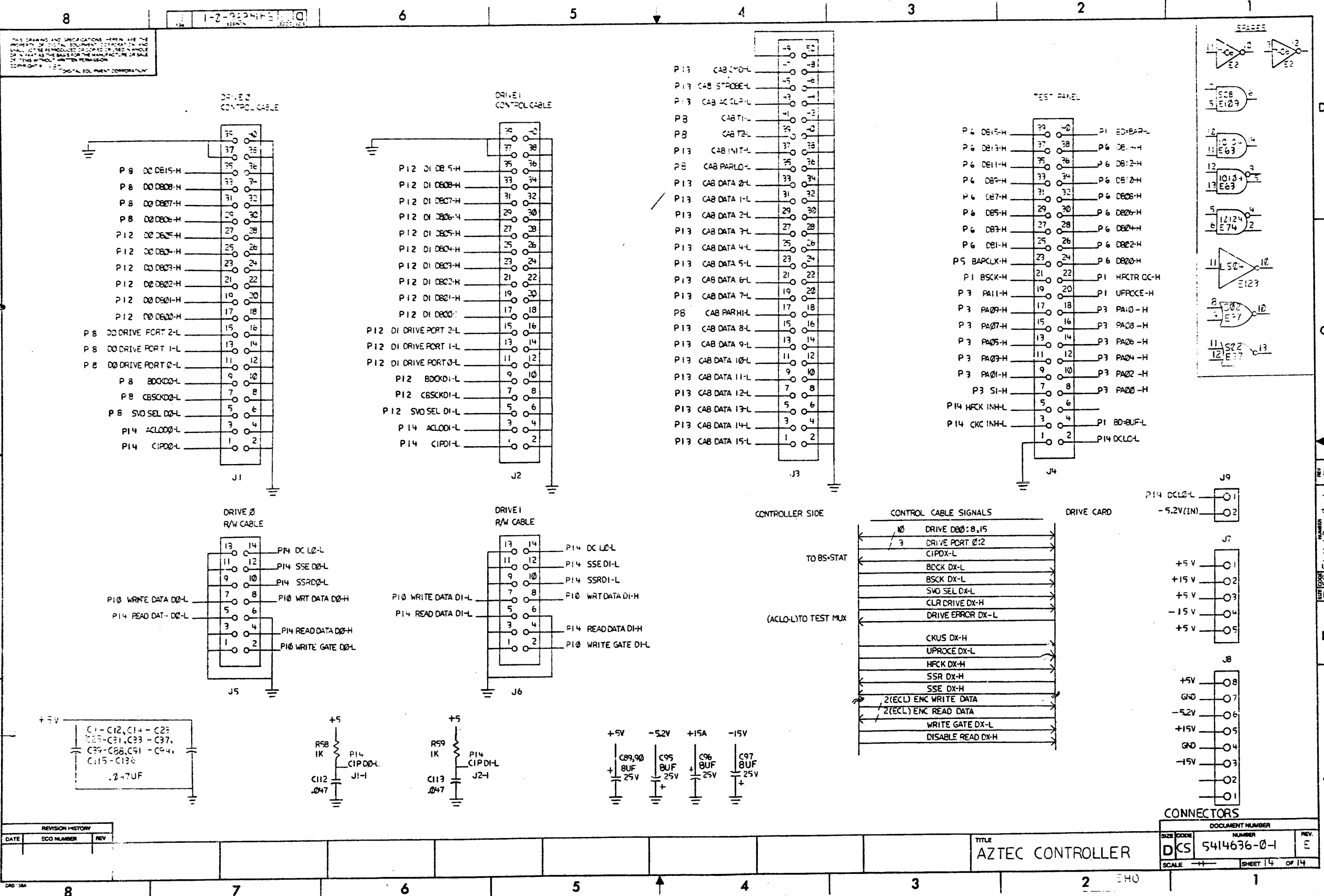
SIZE	CODE	NUMBER	REV.
DCS		5414636-0-1	E

SCALE: 1:1 SHEET 12 OF 14

TITLE
AZTEC CONTROLLER

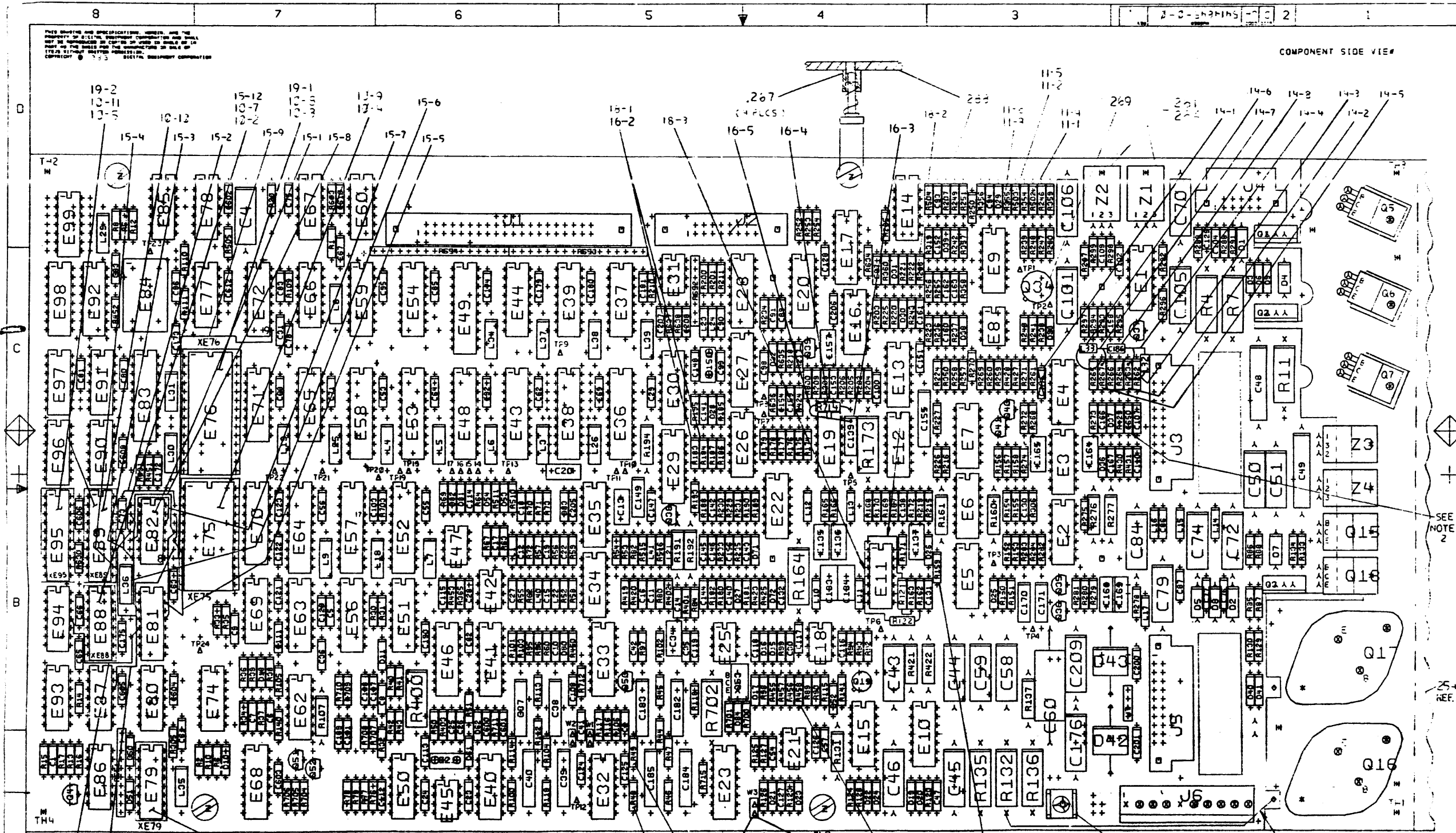


5414636-0-1



REVISION HISTORY			DOCUMENT NUMBER		TITLE	
DATE	ECO NUMBER	REV	SIZE	NUMBER	SCALE	REV
			D	5414636-0-1		E
						AZTEC CONTROLLER
						SHEET 14 OF 14

COMPONENT SIDE VIEW



NOTES: 1. R45 & R58 ARE NOT TO BE INSTALLED. THEY WILL BE INSTALLED AT TEST.
 2. SPARE IC LOCATIONS ARE E36, E82, E92, E96, E98 & E99. ALSO, C650 IS NOT INSTALLED.
 3. NOT USED. E.N.C.'S E24, E55, E61 AND E73.

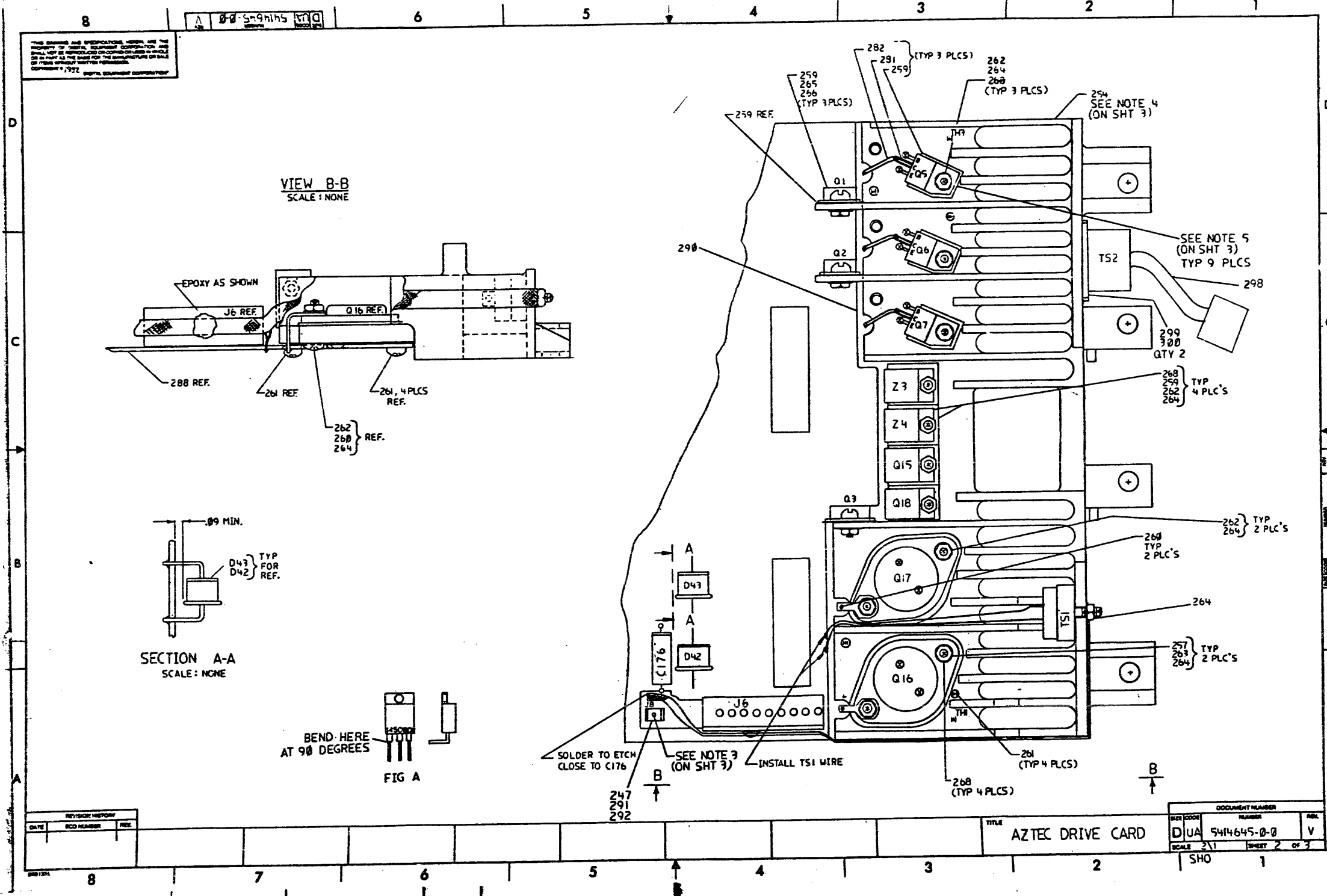
STEP E	+ Y AXIS	STEP	TIMES
REPEAT	+ X AXIS	STEP	TIMES

CHANGE NO	REV	BY	DATE
1	1	K. VESEKIS	12-3-77
2	2	K. VESEKIS	12-3-77
3	3	K. VESEKIS	12-3-77
4	4	K. VESEKIS	12-3-77
5	5	K. VESEKIS	12-3-77
6	6	K. VESEKIS	12-3-77
7	7	K. VESEKIS	12-3-77
8	8	K. VESEKIS	12-3-77
9	9	K. VESEKIS	12-3-77
10	10	K. VESEKIS	12-3-77
11	11	K. VESEKIS	12-3-77
12	12	K. VESEKIS	12-3-77
13	13	K. VESEKIS	12-3-77
14	14	K. VESEKIS	12-3-77
15	15	K. VESEKIS	12-3-77
16	16	K. VESEKIS	12-3-77
17	17	K. VESEKIS	12-3-77
18	18	K. VESEKIS	12-3-77
19	19	K. VESEKIS	12-3-77
20	20	K. VESEKIS	12-3-77
21	21	K. VESEKIS	12-3-77
22	22	K. VESEKIS	12-3-77
23	23	K. VESEKIS	12-3-77
24	24	K. VESEKIS	12-3-77
25	25	K. VESEKIS	12-3-77
26	26	K. VESEKIS	12-3-77
27	27	K. VESEKIS	12-3-77
28	28	K. VESEKIS	12-3-77
29	29	K. VESEKIS	12-3-77
30	30	K. VESEKIS	12-3-77

ETCH REV. F1-P1

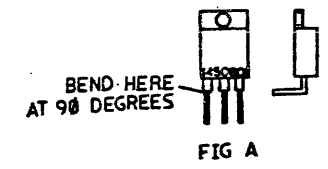
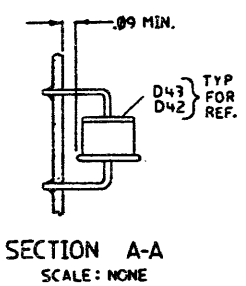
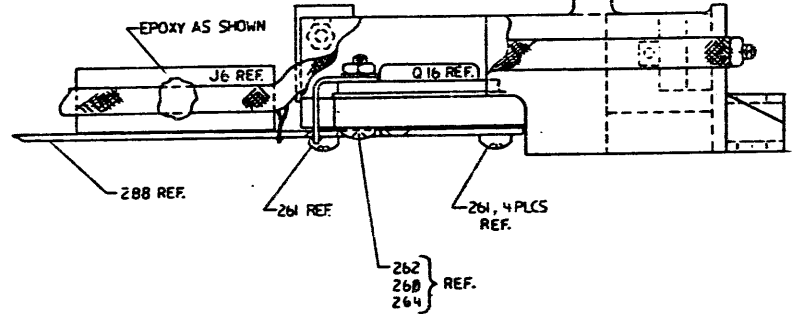
SIGNATURES	DATE
DRN. [Signature]	12-3-77
CHK'D. [Signature]	12-3-77
RECH. ENG. K. [Signature]	12-3-77
PROJ. ENG. [Signature]	12-3-77
SCALE 2/1	
SHT. 1 OF 3	
NEXT HIGHER ASSY. B-CO-541445-0	

SHR 1 MS#



THIS DRAWING AND SPECIFICATIONS SHALL BE THE PROPERTY OF AZTEC EQUIPMENT CORPORATION AND SHALL NOT BE REPRODUCED OR COPIED IN WHOLE OR IN PART OR IN ANY MANNER FOR THE MANUFACTURE OR SALE OF THIS ARTICLE WITHOUT THE WRITTEN PERMISSION OF AZTEC EQUIPMENT CORPORATION

VIEW B-B
SCALE: NONE



SOLDER TO ETCH CLOSE TO C176
SEE NOTE 3 (ON SHT 3)
INSTALL TSI WIRE

REVISION HISTORY		
DATE	REV. NUMBER	REV.

DOCUMENT NUMBER		REV.
DUA	541645-0-0	V
SCALE	SHEET	OF
2:1	2	3

TITLE
AZTEC DRIVE CARD

SHO 1

THIS DRAWING AND SPECIFICATIONS ARE THE PROPERTY OF DIGITAL EQUIPMENT CORPORATION AND SHALL NOT BE REPRODUCED OR COPIED OR USED IN WHOLE OR IN PART AS THE BASIS FOR THE MANUFACTURE OR SALE OF ITEMS WITHOUT WRITTEN PERMISSION.
COPYRIGHT © 1974 DIGITAL EQUIPMENT CORPORATION

REWORK INSTRUCTIONS:

ECO #8, SIDE 1:

COMPONENT DELETES:

- 8-1. DELETE P/N 1914485-00 (TL084) FROM E13, E32, E40, E69 & E69.

COMPONENT ADDS:

- 8-2. ADD P/N 1914485-02 (TL084B) TO E13, E32, E40, E50 & E69.

WIRE ADDS:

- 8-3. ADD A WIRE FROM E97-1 TO E97-13.
- 8-4. ADD A WIRE FROM E97-2 TO E57-17.
- 8-5. ADD A WIRE FROM E97-3 TO E59-14.
- 8-6. ADD A WIRE FROM E97-4 TO E60-12.
- 8-7. ADD A WIRE FROM E97-5 TO FEEDTHRU THAT'S BELOW E58-11.

NOTE: ALL REWORK ABOVE FOR ECO #8 TO BE REWORKED ON ETCH REV. D.

ECO #10, REWORK:

SIDE 1:

COMPONENT DELETES:

- 10-1. DELETE P/N 23000A1-04 FROM E79 PROM 32 X 8.
- 10-2. DELETE P/N 23000A2-04 FROM E88 PROM 256 X 8.
- 10-3. DELETE P/N 23000C6-01 FROM E76 PLA 16 X 48 X 8.
- 10-4. DELETE P/N 23000D1-02 FROM E75 PROM 512 X 8.
- 10-5. DELETE P/N 23000K5-01 FROM E89 & E95 PAL.

COMPONENT ADDS:

- 10-6. ADD P/N 23360A1-00 TO E79 PROM PATTERN.
- 10-7. ADD P/N 23644A2-00 TO E88 PROM PATTERN.
- 10-8. ADD P/N 23082C6-00 TO E76 PLA PATTERN.
- 10-9. ADD P/N 23077D1-00 TO E75 PROM PATTERN.
- 10-10. ADD P/N 23034K5-00 TO E89 PAL PATTERN.
- 10-11. ADD P/N 23035K5-00 TO E95 PAL PATTERN.
- 10-12. ADD P/N 7020746-01 (TS2) THERMOSTAT ASSY. ITEM 298.
- 10-13. ADD P/N 9006632-00 WASHER, INT TOOTH, ITEM 299.
- 10-14. ADD P/N 9006010-01 SCREW, PAN PHL 440 X 5/16, ITEM 300.

ECO #11, REWORK:

SIDE 1:

COMPONENT DELETES:

- 11-1. DELETE R502 3.3K .25W, 5% RES.
- 11-2. DELETE R503 2.0K .25W, 5% RES.
- 11-3. DELETE R355 10K .25W, 5% RES.

COMPONENT ADDS:

- 11-4. ADD R502 3.32K .25W, 1% RES.
- 11-5. ADD R503 5.11K .25W, 1% RES.
- 11-6. ADD R355 51K .25W, 1% RES.

ECO #12 REWORK:

SIDE 1:

COMPONENT DELETES:

- 12-1. DELETE R40 0.25K .25W, 1% RES.
- 12-2. DELETE R49 4.99K .25W, 1% RES.

COMPONENT ADDS:

- 12-3. ADD R48 1.5K .25W 1% RES.
- 12-4. ADD R49 3.48K .25W 1% RES.

ECO #14 REWORK:

SIDE 1:

- 14-1. DELETE C186, 100PF.
- 14-2. LIFT R263 (TOP).
- 14-3. INSTALL ONE END OF A .22UH (L32) IND. INTO R263 (TOP).
- 14-4. CONNECT OTHER END OF L32 TO R263 AND SOLDER.
- 14-5. LIFT R267 (TOP).
- 14-6. INSTALL ONE END OF A .22UH (L33) IND. INTO R267 (TOP).
- 14-7. CONNECT OTHER END OF L33 TO R267 AND SOLDER.
- 14-8. SOLDER A 150PF (C186) CAP. BETWEEN R263, L32 JUNCTION AND R267, L33 JUNCTION.

ECO #15 REWORK:

SIDE 1:

- 15-1. INSTALL 74S74-60GG AT LOCATION E82.
- 15-2. ADD WIRE FROM E82-14 TO C73 (TOP).
- 15-3. ADD WIRE FROM E82-7 TO C73 (BOT).
- 15-4. ADD WIRE FROM E82-4 TO E82-1 TO E81-4.
- 15-5. ADD WIRE FROM E82-13 TO E82-10 TO E81-15.
- 15-6. ADD WIRE FROM E82-2 TO E81-3.
- 15-7. ADD WIRE FROM E82-5 TO E82-12.
- 15-8. ADD WIRE FROM E82-3 TO E82-11 TO E81-13.
- 15-9. ADD WIRE FROM E82-8 TO E72-9.
- 15-10. ADD WIRE FROM E82-9 TO E87-12.
- 15-11. ADD WIRE FROM E81-5 TO E94-11.
- 15-12. REPLACE E88, 82S126 WITH 82S129.

ECO #16 REWORK:

SIDE 1:

- 16-1. CHANGE R159 FROM 220, .25W 5% RES TO 110, 1% RES.
- 16-2. CHANGE R183, R184 FROM 147, .25W 1% RES TO 100, 1% RES.
- 16-3. UNSOLDER AND LIFT TOP OF C139.
- 16-4. INSTALL ONE END OF A 205 1% RES (R714) INTO C139 (TOP).
- 16-5. CONNECT OTHER END OF R714 TO LIFTED LEAD OF C139 AND SOLDER.

ECO #18, REWORK:

SIDE 1:

- 18-1. CHANGE R183, R184 FROM 100, .25W, 1% RES. TO 68-1, .25W, 1% RES.
- 18-2. ADD A 4.7K, 5% RES. (R121) BETWEEN R163 (BOT) AND FEEDTHRU ABOVE E11-1 (-15C).
- 18-3. ADD A 4.7K, 5% RES. (R122) BETWEEN R162 (BOT) AND FEEDTHRU ABOVE E11-1 (-15C).

NOTE: USE TEFLON TUBING FOR STEPS 18-2, 18-3 AS NEEDED. 5 DRIVE CARDS WITH ECO 15 UPDATED TO THIS ECO WILL BE LABELED J4.

ECO #19, REWORK:

SIDE 1:

- 19-1. REPLACE E76 WITH NEW P/N 23299A-2A.
- 19-2. REPLACE E95 WITH NEW P/N 23087K5-22.

REVISION HISTORY		
DATE	ECO NUMBER	REV.

TITLE
AZTEC DRIVE CARD

DOCUMENT NUMBER		REV.
SIZE CODE	NUMBER	
DUA	5414645-0-0	V

SCALE: SHR SHEET 1 OF 1

LINE	ITEM	TOP DOCUMENT	PART NUMBER	MIN REV	DESCRIPTION	VARIATION	REVISION LEVEL	QTY	PER VARIATION	REFERENCE DESIGNATOR
1	1		1013291-01		.22 MFD	80V 10%	MYLR	1		C60
2	2		1013466-20		5000.0 MMF	50V 10%	X7R CER	2		C19,C22
3	3		1012084-01		*** THIS ITEM IS NOT USED ***					
4	4		1009312-00		.0047 MFD	100V 1%	MYLR	9		C37,C38,C39,C40,C155,C182,C183, CONT C184,C185
5	5		1012084-02		*** THIS ITEM IS NOT USED ***					
6	6		1013466-08		680.0 MMF	50V 10%	X7R CER	1		C41
7	7		1015573-00		.027 MFD	50V 5%	CER	1		C31
8	8		1013466-01		10.0 MMF	50V 5%	CER	2		C143,C144
9	9		1013466-04		33.0 MMF	50V 5%	CER	4		C30,C35,C54,C2
10	10		1020024-01		56.0 MMF	100V 1%	100PPM MI	3		C137,C168,C169
11	11		1013466-09		1000.0 MMF	50V 10%	X7R CER	7		C153,C154,C25,C26,C16,C11,C7
12	12		1014169-00		1000.0 MMF	100V 1%	200PPM MICA	9		C21,C34,C164,C165,C157, CONT C187-C189,C191
13	13		1014265-00		.22 MFD	50V +80-20%	CER	1		C129
14	14		1013466-15		1200.0 MMF	50V 10%	CER	1		C5
15	15		1013466-18		330.0 MMF	50V 5%	CER	2		C42,C17
16	16		1013466-22		.1 MFD	50V +80-20%	Z5U CER	11		C47,C130,C131,C132,C140,C141, CONT C142,C14,C18,C15,C12
17	17		1020023-01		22.0 MMF	100V +- .5MMF	MICA	2		C135,C136
18	18		1013466-24		47.0 MMF	50V 5%	CER	2		C57,C6
19	19		1017200-00		100.0 MMF	100V 1%	70PPM MICA	2		C133,C134
20	20		1013466-30		560.0 MMF	50V 5%	CER	3		C1,C145,C146
21	21		1016553-00		4.7MFD	25V +75-10%	AL EL	4		C45,C46,C79,C84
22	22		1016555-00		22 MFD	50V +50-10%	AL EL	2		C48,C49
23	23		1017472-00		10 MFD	35V +75-10%	AL EL	13		C101,C105,C106,C70,C72,C74,C50, CONT C51,C4,C43,C44,C58,C59
24	24		1012784-00		.047 MFD	50V +80-20%	CER	57		C10,C36,C102,C104,C109,C158,C76, CONT C77,C86,C87,C107,C108,C110,C62, CONT C64,C67,C71,C73,C75,C78,C80,C81,

REVISION HISTORY			BASIC PART NO: 5414645			DRN: L.PETERSON			DATE: 2-FEB-82			D I G I T A L		
ENG	ECO NUMBER	REV	SECTION A OF A			CHK'D: P.BOSSMAN			DATE: 2-FEB-82			TITLE PARTS LIST		
K.V	5414645-SH008	H	SECTION VARIATION INDEX			DES.ENG: K.VESKIS <td colspan="3">DATE: 2-FEB-82 <td colspan="3">DOCUMENT NUMBER</td> </td>			DATE: 2-FEB-82 <td colspan="3">DOCUMENT NUMBER</td>			DOCUMENT NUMBER		
K.V	5414645-SH009	J	[A] 00			RESP.ENG.: E.BELLETTIERE <td colspan="3">DATE: 2-FEB-82 <td colspan="3">SIZE CODE NUMBER REV</td> </td>			DATE: 2-FEB-82 <td colspan="3">SIZE CODE NUMBER REV</td>			SIZE CODE NUMBER REV		
K.V	5414645-SH010	K	[B]			MFG.ENG.: D.SWIFT <td colspan="3">DATE: 17-SEP-82 <td colspan="3">RELEASE DATE: 29-JAN-85</td> </td>			DATE: 17-SEP-82 <td colspan="3">RELEASE DATE: 29-JAN-85</td>			RELEASE DATE: 29-JAN-85		
B.L	5414645-SH011	L	[C]			ASSEMBLY NUMBER: <td colspan="3">TOP DOCUMENT NUMBER: <td colspan="3">FILE NAME: </td></td>			TOP DOCUMENT NUMBER: <td colspan="3">FILE NAME: </td>			FILE NAME:		
K.V	5414645-SH012	M	[D]			D-UA-5414645-0-0 <td colspan="3">#B-DD-5414645-0 <td colspan="3">Z1545V.PLS </td></td>			#B-DD-5414645-0 <td colspan="3">Z1545V.PLS </td>			Z1545V.PLS		
K.V	5414645-SH013	N	[E]									EDIT #		
B.L	5414645-SH014	P	[F]									53		
K.V	5414645-SH015	R	[H]											
B.L	5414645-SH016	S	[J]											
K.V	5414645-SH017	T	[K]											
G.T	5414645-SH018	U	[L]											
G.T	5414645-SH019	V	[M]											
			[N]											

"THIS DRAWING AND THE SPECIFICATIONS CONTAINED HEREIN ARE CONFIDENTIAL AND PROPRIETARY. THEY ARE THE PROPERTY OF DIGITAL EQUIPMENT CORPORATION AND SHALL NOT BE REPRODUCED OR COPIED OR USED IN WHOLE OR IN PART AS THE BASIS FOR THE MANUFACTURE OR SALE OF ITEMS WITHOUT WRITTEN PERMISSION. THIS IS AN UNPUBLISHED WORK PROTECTED UNDER THE FEDERAL COPYRIGHT LAWS."

LINE	ITEM	TOP DOCUMENT	PART NUMBER	MIN REV	DESCRIPTION	VARIATION REVISION LEVEL	QTY	PER VARIATION	REFERENCE DESIGNATOR
25	25		1001610-00	.01	MFD 50V +80-20% Z5U CER		53		CONT C83,C85,C92,C95,C96,C103,C61, CONT C63,C65,C66,C33,C53,C55,C56,C68, CONT C69,C172,C173,C174,C175,C179, CONT C180,C181,C200,C201,C205,C206, CONT C606,C608,C610,C602-C605,C612 C8,C138,C147,C151,C29,C148,C90, CONT C91,C98,C99,C100,C156,C159,C152, CONT C160,C161,C166,C167,C97,C128, CONT C89,C102,C103,C94,C93,C9, CONT C111-C127,C23,C24,C27,C28,C190, CONT C82,C600,C601,C207,C208
26	26		1000020-00		180.0 MMF 100V 5%200PPM MICA		1		C150
27	27		1016549-00		47 MFD 10V +50-10% AL EL		2		C176,C209
28	28		1020025-01		390.0 MMF 100V 2% 70PPM MICA		2		C20,C13
29	29		1100114-00		PIV= 25 IO=135 MA		4		D30-D33
30	30		1101385-00		VZ= 6.2 5% 400 MW 1N825		1		D28
31	31		1102808-00		VZ= 5.6 5% 400 MW 1N752A		2		D36,D37
32	32		1103441-00		VZ= 8.2 5% 400 MW 1N756A		4		D27,D29,D23,D24
33	33		1105275-00		PIV= 60 IO=300 MA -15NS		18		D15,D16,D17,D21,D22,D61,D62,D3, CONT D6,D9,D50,D51,D19,D20,D40,D41, CONT D53,D54
34	34		1105796-00		PIV= 400 IO= 1.00A 1N4004 D0-41		7		D1,D2,D4,D7,D8,D5,D84
35	35		1105871-00		VZ= 5.15 1% 250 MW		7		D11,D18,D38,D39,D80,D10,D83
36	36		1109991-00		VZ= 6.8 5% 400 MW 1N754A		1		D25
37	37		1110182-00		PIV= 200 IO= 3.00A 1N4721 CSE60		2		D42,D43
38	38		1110672-00		VZ= 3.6 5% 40 MW 1N747A		1		D52
39	39		1110994-00		VZ= 5.1 5% 400 MW 1N751A		1		D26
40	40		1113003-00		PIV= 55 IO=200 MA - 4NS 1N5282		1		D71
41	41		1104860-00		VZ= 3.3 5% 400 MW 1N746A		2		D81,D82
42	42		1109991-01		VZ= 6.8 1% 400 MW D		1		D72
43	43		1215341-00		PCB HEADER 40PIN(2X20).100CC STR		1		J1
44	44		1215341-03		PCB HEADER 14PIN(2X07).100CC STR		1		J2
45	45		1219039-01		PCB,HEADER 20PIN .100CC 90D		2		J3,J5
46	46		1219039-00		PCB,HEADER 10PIN .100CC 90D		1		J4
47	47		1215323-01		PCB HEADER 04PIN(1X04).100CC STR		1		J7
48	48		1218819-02		PCB,HEADER 10PIN(1X10).156CC STR		1		J6
49	49		1220914-01		THERMOSTAT NO C061C 0045C		1		TS1
50	50		1300005-07		R NETWORK 15-4.7K 5.0 % 16PIN		1		E51
51	51		1316395-00		R NETWORK 9-4.7K 2.0 % 10PIN		1		R651
52	52		1316254-00		R NETWORK 7-470 2.0 % 8PIN		1		R652
53	53		1300250-00		150.0 .25 W 5.0 % CF		2		R254,R288
54	54		1302862-00		50.0 .25 W 1.0 % RN55D-F10		1		R239
55	55		1300229-00		100.0 .25 W 5.0 % CF		37		R53,R54,R57,R62,R82,R158,R403, CONT R162,R163,R167,R168,R172,R178, CONT R179,R186,R189,R190,R193,R216, CONT R217,R230,R231,R238,R250,R259, CONT R260,R263,R267,R280,R281,R295, CONT R451,R452,R630,R631,R800,R218

D	I	G	I	T	A	L	TITLE	SECTION A	OF	A	SIZE	CODE	DOCUMENT NUMBER	REV
							AZTEC DRIVE CARD				K	PL	5414645-0-DBP	V

LINE	ITEM	TOP DOCUMENT	PART NUMBER	MIN REV	DESCRIPTION	VARIATION	REVISION LEVEL	QTY	PER VARIATION	REFERENCE DESIGNATOR
								00		
56	56		1319037-00		R NETWORK 10-110	2.0 %	16PIN	2		R653,R654
57	57		1317033-00		16.0 K	.25 W	5.0 %	1		R222
58	58		1301475-00		1.10 K	.25 W	5.0 %	2		R425,R453
59	59		1300255-00		150.0	1.0 W	5.0 %	1		R164
60	60		1300271-00		220.0	.25 W	5.0 %	3		R129,R130,R159
61	61		1300274-00		220.0	.50 W	5.0 %	1		R161
62	62		1300285-00		270.0	.50 W	5.0 %	2		R276,R277
63	63		1300295-00		330.0	.25 W	5.0 %	3		R110,R246,R290
64	64		1300315-00		470.0	.50 W	5.0 %	1		R107
65	65		1300316-00		470.0	.25 W	5.0 %	6		R226,R247,R282,R285,R286,R319
66	66		1301423-00		6.80 K	.25 W	5.0 %	3		R5,R8,R12
67	67		1300346-00		680.0	1.0 W	10.0 %	1		R173
68	68		1315096-00		1.87 K	.25 W	1.0 %	1	RN55D-F10	R511
69	69		1300365-00		1.0 K	.25 W	5.0 %	15		R2,R6,R10,R210,R211,R240,R237, R15,R242,R270,R360,R505,R427, R504,R603
									CONT	
									CONT	
70	70		1301422-00		7.50 K	.25 W	5.0 %	1		R510
71	71		1300391-00		1.50 K	.25 W	5.0 %	4		R102,R227,R356,R358
72	72		1300398-00		1.80 K	.25 W	5.0 %	4		R220,R221,R283,R284
73	73		1300417-00		2.20 K	.25 W	5.0 %	2		R169,R170
74	74		1300426-00		2.70 K	.25 W	5.0 %	1		R248
75	75		1300439-00		3.30 K	.25 W	5.0 %	1		R249
76	76		1300447-00		4.70 K	.25 W	5.0 %	14		R105,R127,R128,R140,R141,R269, R428,R365,R420,R419,R703,R715, R121,R122
									CONT	
									CONT	
77	77		1300479-00		10.0 K	.25 W	5.0 %	7		R16,R98,R1,R350,R357,R701,R704
78	78		1300444-00		3.90 K	.25 W	5.0 %	1		R229
79	79		1301317-00		10.0	.25 W	5.0 %	3		R287,R297,R430
80	80		1301320-00		1.20 K	.25 W	5.0 %	2		R185,R294
81	81		1301401-00		750.0	.25 W	5.0 %	2		R111,R359
82	82		1301424-00		680.0	.25 W	5.0 %	1		R271
83	83		1301425-00		300.0	.25 W	5.0 %	1		R180
84	84		1301477-00		82.0	.25 W	5.0 %	4		R150,R151,R252,R253
85	85		1301775-00		820.0	.25 W	5.0 %	2		R32,R207
86	86		1301890-00		560.0	.25 W	5.0 %	1		R59
87	87		1301969-00		22.0	.25 W	5.0 %	1		R243
88	88		1301972-00		270.0	.25 W	5.0 %	1		R188
89	89		1302177-00		47.0 K	.25 W	5.0 %	1		R354
90	90		1302381-00		200.0	.50 W	5.0 %	1		R160
91	91		1302387-00		2.0 K	.50 W	5.0 %	4		R131,R191,R192,R194
92	92		1302388-00		2.0 K	.25 W	5.0 %	3		R291,R306,R429
93	93		1302391-00		20.0 K	.25 W	5.0 %	1		R305
94	94		1300539-00		120.0 K	.25 W	5.0 %	1		R109
95	95		1302411-00		511.0	.25 W	1.0 %	11	RN55D-F10	R152,R153,R156,R157,R181,R182, R187,R401,R423,R424,R171
									CONT	
96	96		1302465-00		18.0 K	.25 W	5.0 %	1		R120
97	97		1302602-00		56.0	.25 W	5.0 %	2		R133,R134
98	98		1302644-00		226.0	.25 W	1.0 %	3	RN55D-F10	R17,R13,R241

D	I	G	I	T	A	L	TITLE	SECTION A	OF A	SIZE	CODE	DOCUMENT NUMBER	REV
							AZTEC DRIVE CARD			K	PL	5414645-0-DBP	V

LINE	ITEM	TOP DOCUMENT	PART NUMBER	MIN REV	DESCRIPTION	VARIATION	REVISION LEVEL	QTY	PER VARIATION	REFERENCE DESIGNATOR	
								OC			
99	99		1302645-00		1.10 K	.25 W 1.0 %	RN55D-F10	3		R174,R70,R71	
100	100		1302685-00		909.0	.25 W 1.0 %	RN55D-F10	2		R215,R55	
101	101		1302871-00		1.21 K	.25 W 1.0 %	RN55D-F10	1		R219	
102	102		1300249-00		150.0	.50 W 5.0 %	CF	1		R422	
103	103		1300228-00		100.0	.50 W 5.0 %	CF	1		R421	
104	104		1312931-00		6.20 K	.25 W 5.0 %	CF	1		R272	
105	105		1312452-00		3.74 K	.25 W 1.0 %	RN55D-F10	1		R431	
106	106		1313076-00		16.0 K	.25 W .10%	RN55E-B 2	1		R43	
107	107		1303111-00		205.0	.25 W 1.0 %	RN55D-F10	1		R177	
108	108		1302873-00		261.0	.25 W 1.0 %	RN55D-F10	1		R299	
109	109		1302874-00		*** THIS ITEM IS NOT USED ***					-	
110	110		1302957-00		121.0	.25 W 1.0 %	RN55D-F10	1		R298	
111	111		1302962-00		200.0	.25 W .10%	RN55C-B 5	2		R264,R195	
112	112		1303045-00		3.16 K	.25 W 1.0 %	RN55D-F10	4		R80,R118,R251,R402	
113	113		1303067-00		422.0	.25 W 1.0 %	RN55D-F10	1		R293	
114	114		1303114-00		1.0 K	.25 W 1.0 %	RN55D-F10	5		R42,R176,R233,R235,R84	
115	115		1303178-00		620.0	.25 W 5.0 %	CF	2		R275,R450	
116	116		1303303-00		2.61 K	.25 W 1.0 %	RN55D-F10	2		R87,R88	
117	117		1303312-00		10.0 K	.25 W 1.0 %	RN55D-F10	13		R40,R41,R63,R90,R92,R94,R97, CONT R202,R204,R224,R636,R93,R89	
118	118		1304725-00		300.0	.25 W 1.0 %	RN55D-F10	1		R292	
119	119		1313591-00		1.65 K	.25 W 1.0 %	RN55D-F10	3		R261,R100,R711	
120	120		1302298-00		261.0 K	.25 W 1.0 %	RN55C-F 5	2		R101,R103	
121	121		1304854-00		5.11 K	.25 W 1.0 %	RN55D-F10	3		R52,R67,R503	
122	122		1304857-00		237.0	.25 W 1.0 %	RN55D-F10	2		R85,R86	
123	123		1304858-00		348.0	.25 W 1.0 %	RN55D-F10	8		R165,R166,R278,R279,R515,R516, CONT R72,R56	
124	124		1303064-00		75.0	.25 W 1.0 %	RN55D-F10	2		R200,R201	
125	125		1304866-00		2.0 K	.25 W 1.0 %	RN55D-F10	4		R205,R208,R206,R209	
126	126		1305108-00		1.47 K	.25 W 1.0 %	RN55D-F10	2		R257,R258	
127	127		1305123-00		215.0	.25 W 1.0 %	RN55D-F10	2		R255,R256	
128	128		1305322-00		7.50 K	.25 W 1.0 %	RN55D-F10	2		R265,R268	
129	129		1305324-00		4.99 K	.25 W 1.0 %	RN55D-F10	6		R33,R39,R123,R124,R114,R712	
130	130		1310631-00		*** THIS ITEM IS NOT USED ***					-	
131	131		1305374-00		910.0	.25 W 5.0 %	CF	1		R236	
132	132		1305405-00		24.90 K	.25 W 1.0 %	RN55D-F10	2		R125,R126	
133	133		1312984-00		187.0 K	.25 W 1.0 %	RN55D-F10	1		R106	
134	134		1309419-00		19.60 K	.25 W 1.0 %	RN55D-F10	1		R99	
135	135		1309422-00		5.10	.25 W 5.0 %	CF	1		R296	
136	136		1305325-00		8.25 K	.25 W 1.0 %	RN55D-F10	2		R273,R274	
137	137		1320112-02		5.49 K	.25 W 1.0 %	RN55D-F10	4		R112,R113,R119,R104	
138	138		1311320-00		90.90 K	.25 W 1.0 %	RN55D-F10	2		R223,R635	
139	139		1311422-00		178.0	.25 W 1.0 %	RN55D-F10	2		R51,R73	
140	140		1311522-00		200.0	.25 W 5.0 %	CF	1		R14	
141	141		1311604-00		.20	3.0 W 3.0 %	WW	3		R132,R135,R136	
142	142		1311653-00		2.15 K	.25 W 1.0 %	RN55D-F10	2		R154,R155	
143	143		1300324-00		511.0	.75 W 1.0 %	RN55D-F10	1		R400	
144	144		1304867-00		7.0 K	.25 W 1.0 %	RN55D-F10	1		R225	

D	I	G	I	T	A	L	TITLE	SECTION A	OF A	SIZE	CODE	DOCUMENT NUMBER	REV
							AZTEC DRIVE CARD			K	PL	5414645-0-DBP	V

LINE	ITEM	TOP DOCUMENT	PART NUMBER	MIN REV	DESCRIPTION	QTY	PER VARIATION	REFERENCE DESIGNATOR	
					VARIATION REVISION LEVEL:	00			
145	145		1303044-00	100.0 K	.25 W 1.0 % RN55D-F10	2		R634,R234	
146	146		1310633-00	2.55 K	.25 W 1.0 % RN55D-F10	2		R30,R31	
147	147		1312928-00	51.0	.25 W 5.0 % CF	1		R289	
148	148		1312930-00	5.10 K	.25 W 5.0 % CF	1		R203	
149	149		1313008-00	5.11	.25 W 1.0 % RN55D-F10	1		R115	
150	150		1313579-00	1.50	3.0 W 5.0 % WW	3		R4,R7,R11	
151	151		1313584-00	*** THIS ITEM IS NOT USED ***			-		
152	152		1303047-00	464.0	.25 W 1.0 % RN55D-F10	1		R175	
153	153		1314516-00	200.0 K	.25 W 5.0 % CF	1		R20	
154	154		1316836-00	402.0	.25 W 1.0 % RN55D-F10	2		R262,R266	
155	155		1314397-00	9.53 K	.25 W 1.0 % RN55D-F10	2		R50,R637	
156	156		1305431-00	10.0 K	.25 W .10% RN55E-B 2	6		R76,R77,R78,R79,R35,R36	
157	157		1313596-00	20.0 K	.25 W 1.0 % RN55D-F10	2		R455,R456	
158	162		1304855-00	9.09 K	.25 W 1.0 % RN55D-F10	4		R44,R45,R46,R47	
159	167		1309995-00	56.0	.50 W 5.0 % CF	1		R137	
160	168		1302311-00	3.32 K	.25 W 1.0 % RN55D-F10	2		R64,R502	
161	169		1313585-00	453.0	.25 W 1.0 % RN55D-F10	1		R58	
162	170		1313590-00	1.50 K	.25 W 1.0 % RN55D-F10	1		R48	
163	171		1316685-00	750.0 K	.25 W 1.0 % RN55D-F10	1		R638	
164	172		1305114-00	3.48 K	.25 W 1.0 % RN55D-F10	1		R49	
165	173		1313592-00	4.87 K	.25 W 1.0 % RN55D-F10	1		R60	
166	174		1309417-00	27.40 K	.25 W 1.0 % RN55D-F10	2		R116,R117	
167	175		1510414-00	D 45C6	PNP 30WT SI 45 20 Y	1		Q15	
168	176		1503069-00	DEC3716	NPN	1		Q16	
169	177		1509581-01	2N 3792	PNP 150WC SI 80 30 M	1		Q17	
170	178		1510421-00	D 44C8	NPN 30WT SI 60 20	1		Q18	
171	179		1518229-00	2N 2946	PNP 400MW SI	1		Q19	
172	180		1514508-01	TIP 121	NPN 65W	3		Q5-Q7	
173	181		1514509-00	TIP 125	PNP 65W SI 60 500 8A	3		Q1-Q3	
174	182		1501881-00	DEC2219	NPN 3WC SI 30100	1		Q34	
175	183		1509524-00	2N 3904	NPN 310MW SI 40 40 M	8		Q35,Q36,Q37,Q38,Q4,Q50,Q51,Q52	
176	184		1509525-00	2N 3906	PNP 310MW SI 40100 Y	3		Q39-Q41	
177	185		1513265-00	3725	QUAD CORE DRIVER	1		E86	
178	186		1519041-00	3904	NPN QUAD ARRAY	2		E12,E11	
179	187		1517999-00	3906	PNP 900MW ARRAY 14PIN	3		E1,E7,E9	
180	188		1510662-00	100.0 UH	10% 165MA #DD1 00	1		L1	
181	189		1620132-01	3.6 UH	2% 250MA	4		L22,L21,L40,L41	
182	190		1612946-03	5.6 UH	10% Q MIN=52@7.9MHZ	2		L14,L15	
183	191		1619007-00	3.3 UH	10% 135MA	1		L16	
184	192		1620132-02	8.2 UH	1% 155MA	2		L12,L13	
185	193		1616879-00	INDUCTOR	1.12UH 1% 370MA	2		L23,L24	
186	194		1612463-00	DELAY=	150NS,10TAPS	1		E19	
187	195		1614159-00	DELAY=	50NS,10TAPS	1		E29	
188	196		1611257-01	CHOKE(CERAMIC BEAD)	AXIAL LEAD,ON	20		L3-L9,L18,L19,L25,L26,L29,L30, L31,L34,L35-L39	
189	197		1620132-03	12.0 UH	1% 155MA	2	CONT	L10,L11	
190	198		1811660-42	OSCILLATOR, XTAL	2.400 MHZ	1		E84	
191	200		1910741-00	7406	INVERTER GATE-HEX 1I	1		E14	

D	I	G	I	T	A	L	TITLE	SECTION A	OF A	SIZE	CODE	DOCUMENT NUMBER	REV
							AZTEC DRIVE CARD			K	PL	5414645-0-DBP	V

LINE	ITEM	TOP DOCUMENT	PART NUMBER	MIN REV	DESCRIPTION	QTY	PER VARIATION	REFERENCE DESIGNATOR
						00		
						VARIATION REVISION LEVEL:		
192	201		1911675-00		74S138 DECODER/DEMUX 3-8 LI	2		E54,E59
193	202		1913777-00		LS240 DRIVER,LINE,OCTAL,TR	1		E43
194	203		1914214-00		LS374 FF-D OCTAL EDGE TRIG	6		E36,E48,E52,E57,E64,E83
195	204		1912805-00		LS08 AND GATE-QUAD 2IN,PO	1		E60
196	205		1912811-00		LS21 AND GATE-DUAL 4IN,PO	1		E67
197	206		1912838-00		LS132 NAND GATE-QUAD 2IN P	1		E80
198	207		1913493-00		74S241 OCTAL BUFFER,TRI-STA	1		E49
199	208		1912824-00		LS74 FF-D DUAL,EDGE TRIGG	6		E66,E90,E91,E97,E94,E74
200	209		1912829-00		LS86 X-OR GATE-QUAD 2IN	1		E78
201	210		1912868-00		LS299 SHIFT REG. 8-BIT UNI	2		E53,E58
202	212		1914451-00		LS393 COUNTER,BINARY,4BIT	2		E87,E93
203	213		1912837-00		LS123 ONE SHOT-DUAL,RETRIG	1		E72
204	214		1912800-00		LS01 NAND-GATE-QUAD 2IN,P	2		E62,E85
205	215		1913471-00		LS367 DRIVER.BUS,HEX,TRI-S	2		E65,E71
206	216		1911143-00	DEC	201A OP AMP	1		E21
207	217		1913035-02	LM	308ANOP AMP GEN PURP. COM	2		E25,E18
208	218		1916735-00		360 VOLT.COMPARATOR,DIF	2		E31,E47
209	219		1918019-00		571 ADC,10BIT	1		E70
210	220		1911629-00		1408L8 DAC, 8BIT	1		E63
211	221		1918973-00		6002 NPN-PNP ARRAY	1		E15
212	222		1911414-00		10124 TTL TO ECL TRNSLTR	1		E17
213	223		1915186-00	AM	687DL VOLT.COMPARATOR,DUA	2		E27,E30
214	224		1911416-00		10131 DUAL D MSTR/SL.FF	1		E28
215	225		1913220-00		10216 RECEIVER,TRIPLE LINE	1		E20
216	226		1919581-01		3448 TRANSCEIVER,IEEE-488	3		E37,E39,E44
217	227		1913017-00		3046 XSISTOR ARRAY,3 ISOL	6		E4,E6,E22,E26,E34,E35
218	228		1910644-02		733 DIFFERENTIAL AMP,VID	2		E2,E5
219	229		1910298-00		741 OP AMP GEN PURP. COM	1		E8
220	230		1910735-02		318 OP AMP	2		E42,E45
221	231		2120322-01		201A ANALOG SWITCH,QUAD S	1		E46
222	232		1914485-02	TL	084B OP AMP,QUAD,JFET	5		E13,E32,E50,E69,E40
223	233		1912697-00		LS174 FF-D HEX W/CLEAR	1		E68
224	234		1916543-00		7806 VOLT REG,FIX +6V	1		Z1
225	235		1913218-00		325 VOLT REG FIX +/-15V	1		E10
226	236		1916244-01		317 VOLT REG,VAR 1/37V	1		Z3
227	237		1917001-00		337 VOLT REG,VAR -1/-37V	2		Z2,Z4
228	238		1911706-00		5012 ANALOG SWITCH,4CHNL	4		E56,E41,E33,E23
229	239		1912801-00		LS02 NOR-GATE-QUAD 2IN	1		E77
230	240		2113632-00		4066B BILATERAL SWITCH-QUA	2		E3,E16
231	241		23077D1-00	D1-02		1		E75
232	242		23082C6-00	***	THIS ITEM IS NOT USED ***	-		
233	243		23360A1-00	A1-04		1		E79
234	244		23644A2-00	***	THIS ITEM IS NOT USED ***	-		
235	245		23034K5-00	K5-01		1		E89
236	246	USED ON ITEM 248.	1218783-00		JUMPER 02POS(1X02).100CC	3		W1,W2,W3
237	247		9007113-00		TERM QUICK .130DIA .250TAB BR/T	1		J8
238	248		9009149-00		PIN,STAKNG 0.0250DX0.345LG SQUAR	30		TP1-TP24
239	254	D-IA-7019953-0-DBU	7019953-00		HEAT SINK ASSY.	1		

D	I	G	I	T	A	L	TITLE	SECTION A	OF A	SIZE	CODE	DOCUMENT NUMBER	REV
							AZTEC DRIVE CARD			K	PL	5414645-0-DBP	V

LINE	ITEM	TOP DOCUMENT	PART NUMBER	MIN REV	DESCRIPTION	QTY	PER VARIATION	REFERENCE DESIGNATOR
					VARIATION REVISION LEVEL:	00		
240	255		1012312-00		.47 MFD 50V +80-20% CER	4		C139,C149,C170,C171
241	256		1912834-00		LS112 FF-JK,DJAL,EDGE TRIG	1		E81
242	257		1213071-02		INSULATOR,RUBBER SILICONE SM	2		
243	258		1213071-03		*** THIS ITEM IS NOT USED ***	-		
244	259		1213071-06		INSULATOR,RUBBER SILICONE	10		
245	260		9009676-00		TERM,SOLDER BARRIER STR	2		
246	261		9006022-01		SCREW,MACH PAN PHIL 6-	6		
247	262		9006024-01		SCREW,MACH PAN PHIL 6-	9		
248	263		9006025-01		SCREW,MACH PAN PHIL 6-	2		
249	264		9008185-00		NUT,HEX EXT TOOTH LCKWSHR 6-32	14		
250	265		9006430-06		SCREW,NYLN FILL SLOT 6-	3		
251	266		9007883-00		NUT,HEX 6-32X .307AF NYLO	3		
252	267		9009117-01		SCREW,CAPTIV ASSY 4-40	4		
253	268		9008278-17		INSULATOR,NYLON #6HOLE X 3/16	11		
254	269	USED UNDER Q34	9007254-00		TRANSIPADS #10146	1		
255	270		9006633-00		*** THIS ITEM IS NOT USED ***	-		
256	271		1215006-06		SKT,IC 24PIN DIP TIN SOLD	1		XE75
257	272		1215006-02		SKT,IC 16PIN DIP TIN SOLD	2		XE88,XE79
258	273		1215006-04		SKT,IC 20PIN DIP TIN SOLD	2		XE89,XE95
259	274		1215006-07		SKT,IC 28PIN DIP TIN SOLD	1		XE76
260	275		1312626-00		2.49 K .25 W 1.0 % RN55D-F10	1		R700
261	276		1302658-00		820.0 1.0 W 5.0 % CC	1		R702
262	277		1302466-00		100.0 K .25 W 5.0 % CF	1		R705
263	278		1300488-00		12.0 K .25 W 5.0 % CF	1		R706
264	279		1509605-00		DEC4920 PNP 30WC SI	1		Q53
265	280		1609756-00		2.2 UH 10% 760MA #DD2.20	1		L17
266	281		9107305-00		*** THIS ITEM IS NOT USED ***	-		
267	282		9107360-66		WIRE, 18AWG(19/30)IPVC 150V	A/R		
268	283		1305515-00		64.0 K .25 W .10% RN55E-B 2	1		R34
269	284		1305516-00		128.0 K .25 W .10% RN55E-B 2	2		R37,R38
270	285		1309414-00		9.76 K .25 W 1.0 % RN55D-F10	2		R95,R96
271	286		9105740-55		WIRE(WRAP) 30AWG KYNAR UL14	A/R		
272	287		9107688-33		*** THIS ITEM IS NOT USED ***	-		
273	288		5014644-00		DRILL AND ETCH BD.	1		
274	289		4901258-00		*** THIS ITEM IS NOT USED ***	-		
275	290		7428135-01		INSULATOR, HEAT SINK	1		
276	291		9008301-01		*** THIS ITEM IS NOT USED ***	-		
277	292		9006557-00		*** THIS ITEM IS NOT USED ***	-		
278	293		1000016-00		*** THIS ITEM IS NOT USED ***	-		
279	294		9107256-06		TUBING,TEFLON .027ID	A/R		
280	295		1312618-00		16.90 K .25 W 1.0 % RN55D-F10	4		R707-R710
281	296		1318150-01		365.0 .25 W 1.0 % RN55D-F10	1		R69
282	297		23035K5-00		*** THIS ITEM IS NOT USED ***	-		
283	298		7020746-01		THERMOSTAT ASSY.	1		
284	299		9006632-00		WASHER,LOCK INTERNAL STEEL	2		
285	300		9006010-01		SCREW,MACH PAN PHIL 4-	2		
286	301		1304839-00		51.0 K .25 W 5.0 % CF	1		R355
287	302		1000019-00		150.0 MMF 100V 5%200PPM MICA	1		C186

D	I	G	I	T	A	L	TITLE	SECTION A	OF A	SIZE	CODE	DOCUMENT NUMBER	REV
							AZTEC DRIVE CARD			K	PL	5414645-0-DBP	V

LINE ITEM	TOP DOCUMENT	PART NUMBER	MIN REV	DESCRIPTION	QTY PER VARIATION	REFERENCE DESIGNATOR
				VARIATION REVISION LEVEL:	CO	
288	303	3621711-03		LABEL, BAR CODE 1.50X .38	1	
289	304	1603377-00		.22UH 10% 2.7A #WEE.22	2	L32,L33
290	305	1910544-01		74S74-60GG-D DUAL, EDGE TRIG	1	E82
291	306	23654A2-00	A2-05		1	E88
292	307	1303226-00	68.10	.25 W 1.0 % RN55D-F10	2	R183,R184
293	308	23087K5-00	K5-01		1	E95
294	309	23099C6-00	C6-01		1	E76

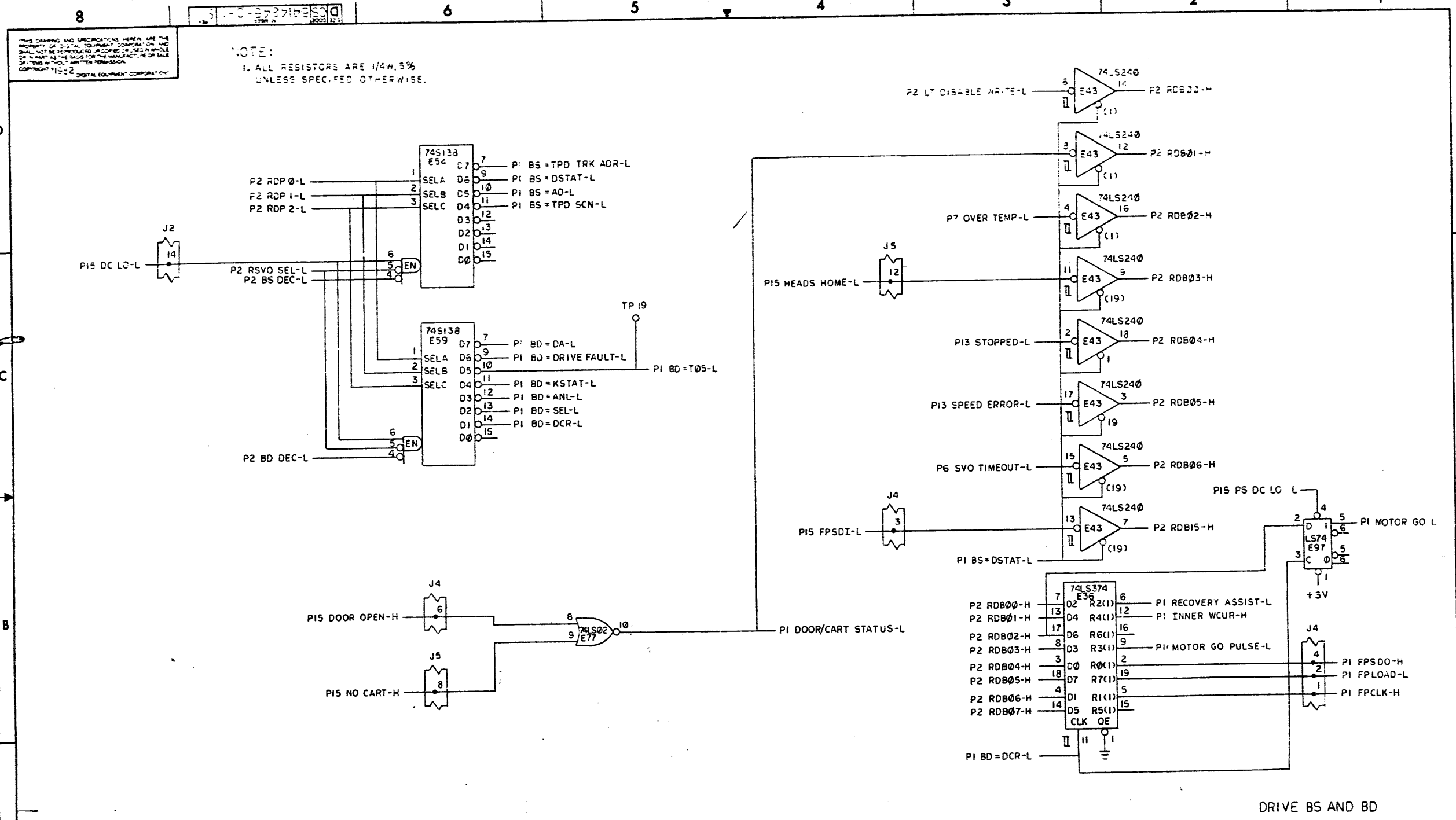
/

D

D	I	G	I	T	A	L	TITLE	AZTEC DRIVE CARD	SECTION A	OF A	SIZE	CODE	DOCUMENT NUMBER	REV
											K	PL	5414645-0-DBP	V

THIS DRAWING AND SPECIFICATIONS HEREIN ARE THE PROPERTY OF DIGITAL EQUIPMENT CORPORATION AND SHALL NOT BE REPRODUCED, COPIED, OR IN ANY MANNER BE MADE PUBLIC IN WHOLE OR IN PART WITHOUT THE WRITTEN PERMISSION OF DIGITAL EQUIPMENT CORPORATION.
 COPYRIGHT © 1982 DIGITAL EQUIPMENT CORPORATION

NOTE:
 1. ALL RESISTORS ARE 1/4W, 5% UNLESS SPECIFIED OTHERWISE.



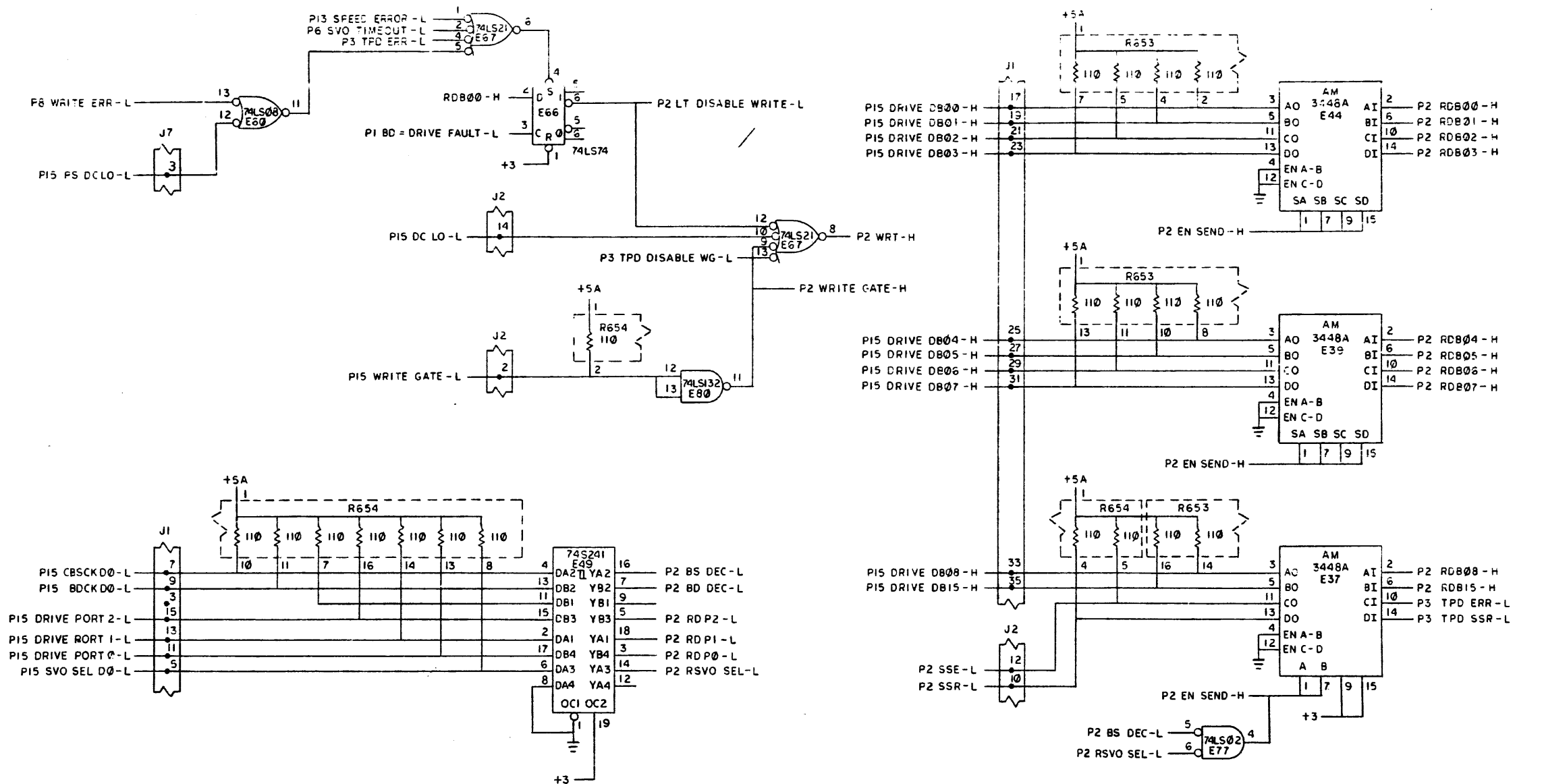
DRIVE BS AND BD

DATE	REVISION HISTORY	ECO NUMBER	REV
11/16/82	5414645-SH001 B	5414645-SH001 B	B
11/16/82	5414645-SH001 C	5414645-SH001 C	C
11/16/82	5414645-SH001 D	5414645-SH001 D	D
11/16/82	5414645-SH001 E	5414645-SH001 E	E
11/16/82	5414645-SH001 F	5414645-SH001 F	F
11/16/82	5414645-SH001 G	5414645-SH001 G	G
11/16/82	5414645-SH001 H	5414645-SH001 H	H
11/16/82	5414645-SH001 I	5414645-SH001 I	I
11/16/82	5414645-SH001 J	5414645-SH001 J	J
11/16/82	5414645-SH001 K	5414645-SH001 K	K
11/16/82	5414645-SH001 L	5414645-SH001 L	L
11/16/82	5414645-SH001 M	5414645-SH001 M	M
11/16/82	5414645-SH001 N	5414645-SH001 N	N
11/16/82	5414645-SH001 O	5414645-SH001 O	O
11/16/82	5414645-SH001 P	5414645-SH001 P	P
11/16/82	5414645-SH001 Q	5414645-SH001 Q	Q
11/16/82	5414645-SH001 R	5414645-SH001 R	R
11/16/82	5414645-SH001 S	5414645-SH001 S	S
11/16/82	5414645-SH001 T	5414645-SH001 T	T
11/16/82	5414645-SH001 U	5414645-SH001 U	U
11/16/82	5414645-SH001 V	5414645-SH001 V	V
11/16/82	5414645-SH001 W	5414645-SH001 W	W
11/16/82	5414645-SH001 X	5414645-SH001 X	X
11/16/82	5414645-SH001 Y	5414645-SH001 Y	Y
11/16/82	5414645-SH001 Z	5414645-SH001 Z	Z

DESIGNED BY <i>J. Vincent</i>	DATE 17 MAR 82	TITLE digital
CHECKED BY <i>[Signature]</i>	DATE 18 MAR 82	
DESIGNED BY <i>R.F. Veerke</i>	DATE 18 NOV 82	
CHECKED BY <i>R.F. Veerke</i>	DATE 18 NOV 82	
DESIGNED BY <i>[Signature]</i>	DATE 18 NOV 82	
DOCUMENT NUMBER D CS 5414645-0-1		SCALE SHO
NEXT REVISION 8-DD-5414645-0		SHEET 1 OF 17

THIS DRAWING AND SPECIFICATIONS HEREIN ARE THE PROPERTY OF DIGITAL EQUIPMENT CORPORATION AND SHALL NOT BE REPRODUCED OR COPIED OR USED IN WHOLE OR IN PART AS THE BASIS FOR THE MANUFACTURE OR SALE OF ITEMS WITHOUT WRITTEN PERMISSION.
COPYRIGHT © 1972 DIGITAL EQUIPMENT CORPORATION

8 6 5 4 3 2 1



FAULT CIRCUIT AND CABLE RECEIVERS

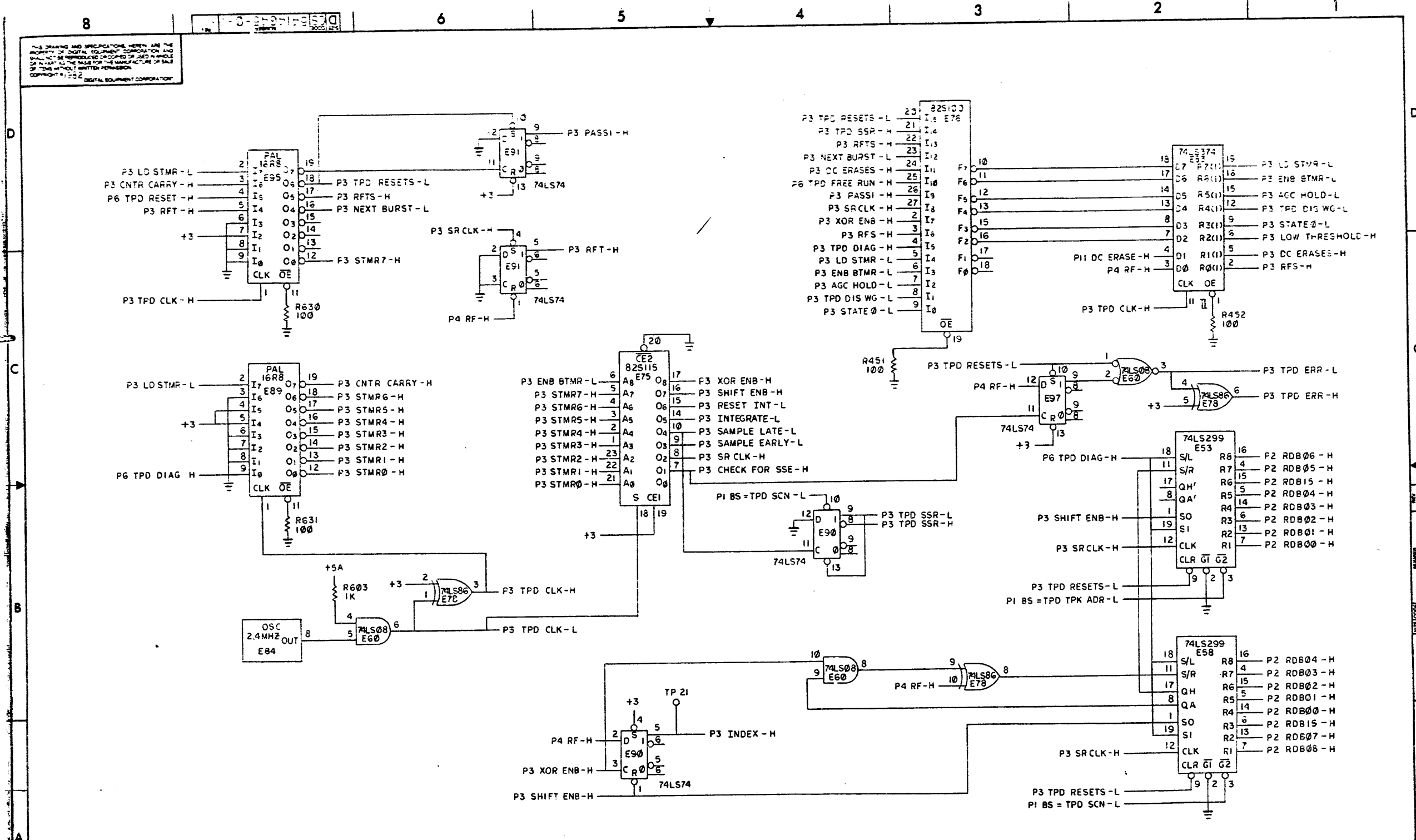
REVISION HISTORY		
DATE	ECO NUMBER	REV.

TITLE		DOCUMENT NUMBER	
AZTEC DRIVE CARD (P2)		DCS 54146-5-0-1	
SCALE		SHEET 2 OF 17	

8 7 6 5 4 3 2 1

DCS 54146-5-0-1

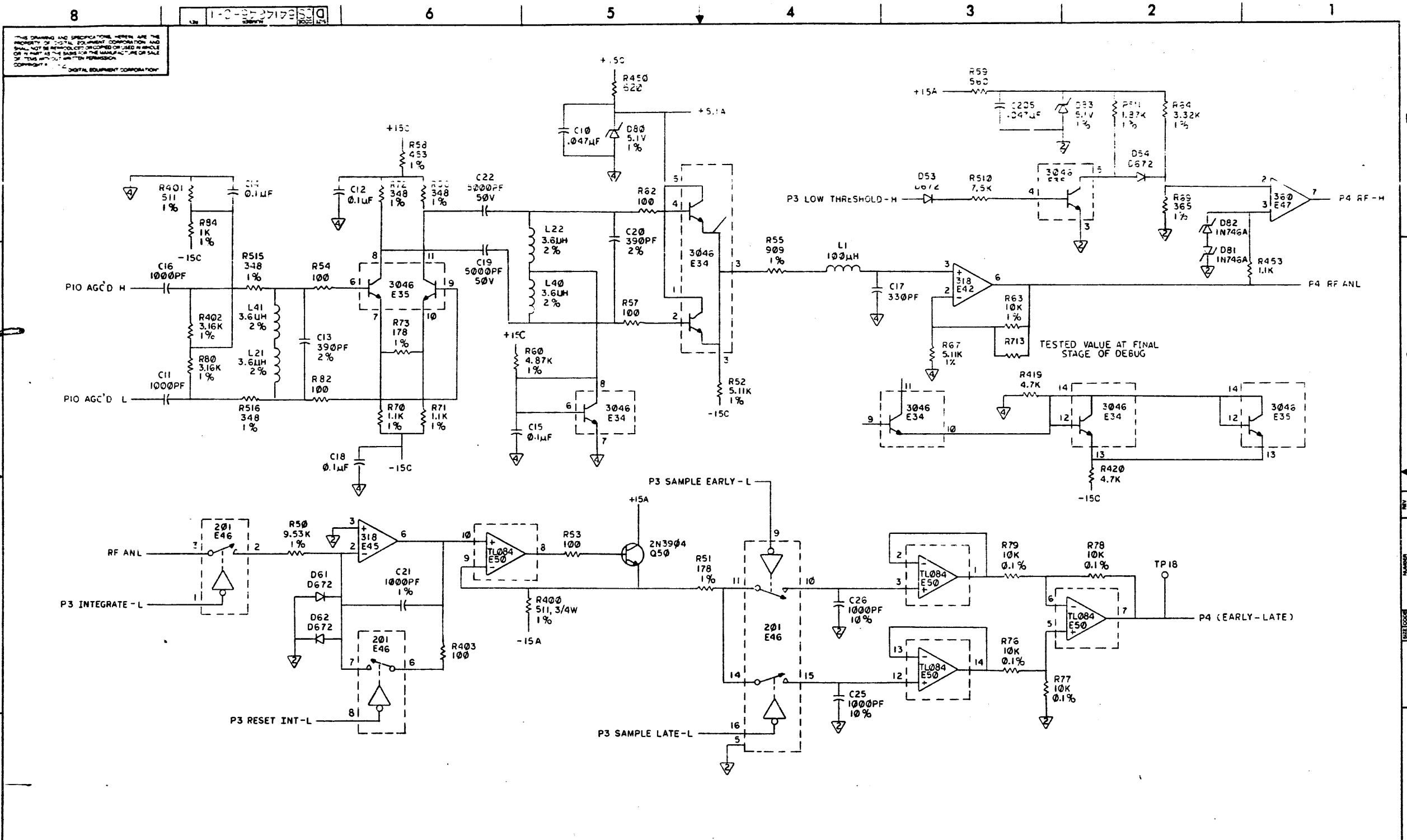
THIS DRAWING AND SPECIFICATIONS HEREIN ARE THE PROPERTY OF DIGITAL EQUIPMENT CORPORATION AND SHALL NOT BE REPRODUCED OR COPIED OR USED IN WHOLE OR IN PART AS THE BASIS FOR THE MANUFACTURE OR SALE OF THIS PRODUCT WITHOUT WRITTEN PERMISSION. COPYRIGHT © 1972 DIGITAL EQUIPMENT CORPORATION.



AZTEC TPD DIGITAL

REVISION HISTORY		
DATE	ECC NUMBER	REF.

TITLE	SCALE	DOCUMENT NUMBER	SHEET	REV.
AZTEC DRIVE CARD (P3)	SHO	DCS 5414645-0-1	3 OF 17	

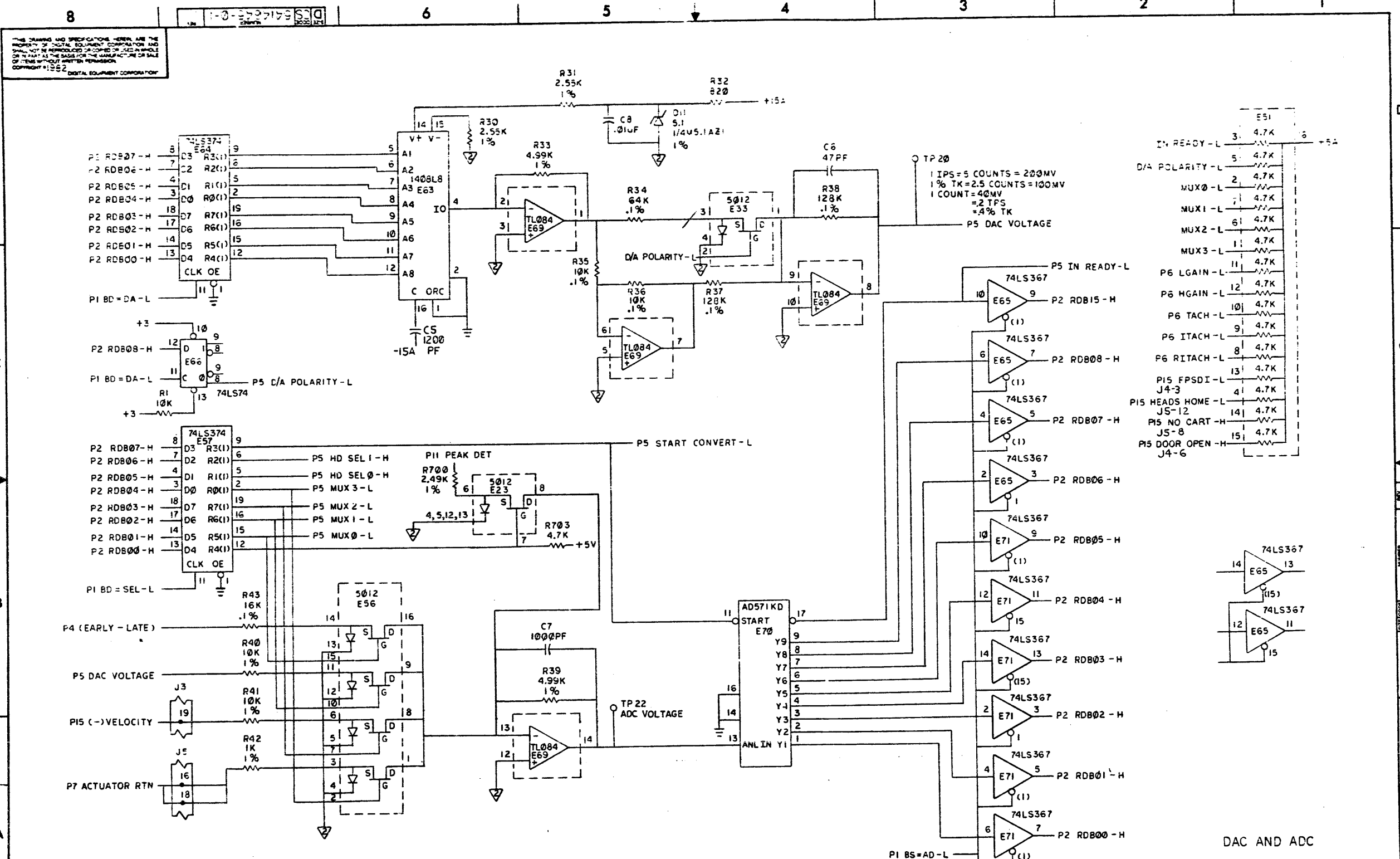


THIS DRAWING AND SPECIFICATIONS HEREIN ARE THE PROPERTY OF DIGITAL EQUIPMENT CORPORATION AND SHALL NOT BE REPRODUCED, COPIED OR USED IN WHOLE OR IN PART AS THE BASIS FOR THE MANUFACTURE OR SALE OF THIS ARTICLE WITHOUT THE WRITTEN PERMISSION OF DIGITAL EQUIPMENT CORPORATION.

AZTEC TPD ANALOG

REVISION HISTORY		
DATE	ECO NUMBER	REV.

TITLE	DOCUMENT NUMBER
AZTEC DRIVE CARD (P4)	DCS 5414645-0-1
SCALE	SHEET
	4 OF 17



THE DRAWING AND SPECIFICATIONS HEREIN ARE THE PROPERTY OF DIGITAL EQUIPMENT CORPORATION AND SHALL NOT BE REPRODUCED OR COPIED OR IN ANY MANNER OR IN PART AS THE BASIS FOR THE MANUFACTURE OR SALE OF ITEMS WITHOUT WRITTEN PERMISSION. COPYRIGHT © 1975 DIGITAL EQUIPMENT CORPORATION.

- E51
- IN READY - L 3 4.7K
- D/A POLARITY - L 5 4.7K
- MUX0 - L 2 4.7K
- MUX1 - L 7 4.7K
- MUX2 - L 6 4.7K
- MUX3 - L 1 4.7K
- P6 LGAIN - L 11 4.7K
- P6 HGAIN - L 12 4.7K
- P6 TACH - L 10 4.7K
- P6 ITACH - L 9 4.7K
- P6 RITACH - L 8 4.7K
- P15 FPSDI - L 13 4.7K
- J4-3 4 4.7K
- P15 HEADS HOME - L 14 4.7K
- P15 NO CART - H JS-8
- P15 DOOR OPEN - H JS-8
- J4-6 15 4.7K

REVISION HISTORY		
DATE	ECO NUMBER	REV

TITLE
AZTEC DRIVE CARD (P5)

DOCUMENT NUMBER		
SIZE	CODE	NUMBER
D	CS	5414645-0-1
SCALE		SHEET 5 OF 17

SHO 1

8

1-0-372719S.D

6

5

4

3

2

1

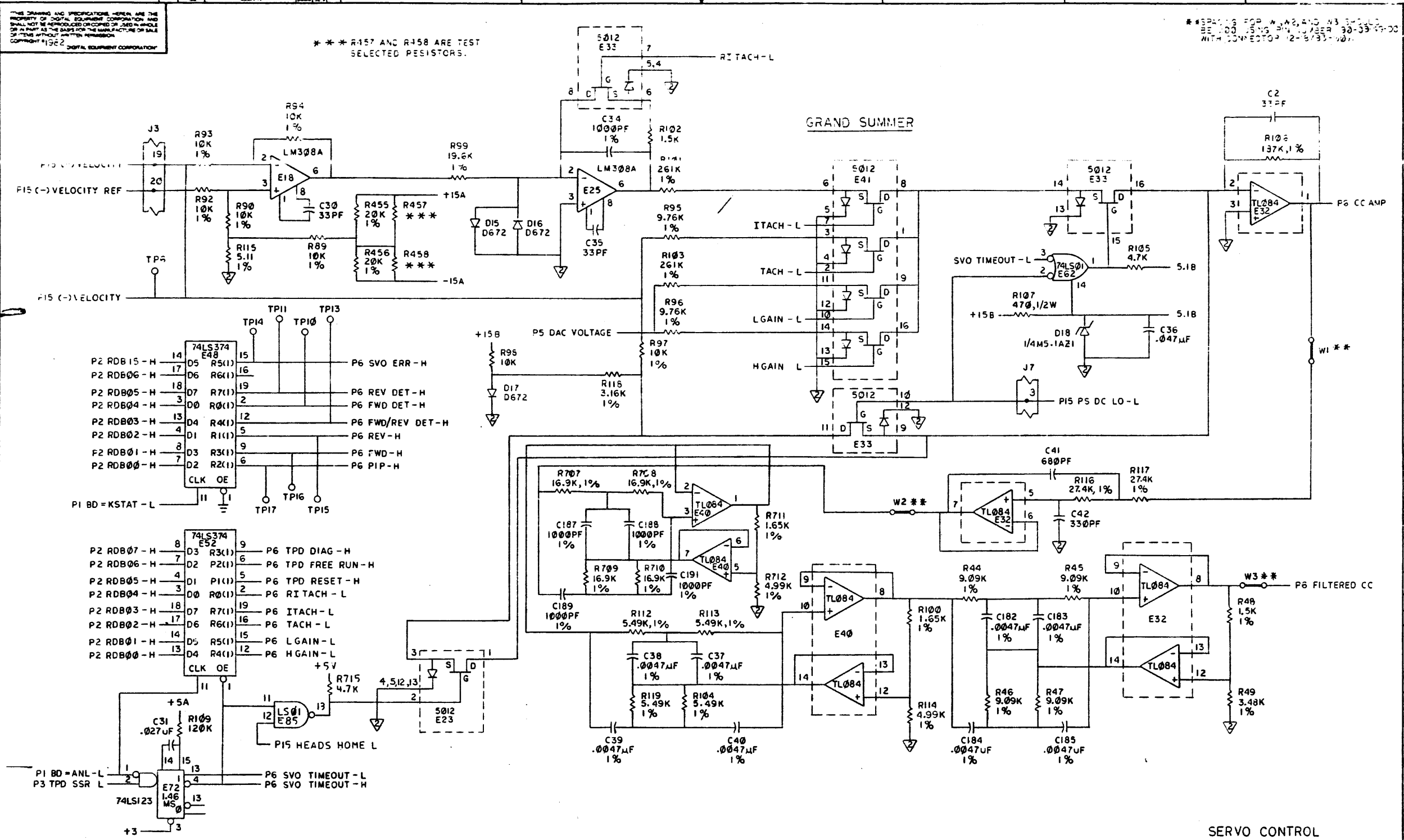
THIS DRAWING AND SPECIFICATIONS HEREIN ARE THE PROPERTY OF DIGITAL EQUIPMENT CORPORATION AND SHALL NOT BE REPRODUCED OR COPIED OR IN WHOLE OR IN PART AS THE BASIS FOR THE MANUFACTURE OR SALE OF ITEMS WITHOUT WRITTEN PERMISSION. COPYRIGHT © 1972 DIGITAL EQUIPMENT CORPORATION

*** R457 AND R458 ARE TEST SELECTED RESISTORS.

* * * * * REPAIRING FOR W, W2, AND W3 SHOULD BE DONE USING THE FOLLOWER 30-33-00 WITH CONNECTOR 12-5433-007.

GRAND SUMMER

SERVO CONTROL



REVISION HISTORY

DATE	ECO NUMBER	REV.

DOCUMENT NUMBER		REV.
D	CS 5414645-0-1	S
SCALE	SHEET	6 OF 17

TITLE
AZTEC DRIVE CARD (P6)

8

7

6

5

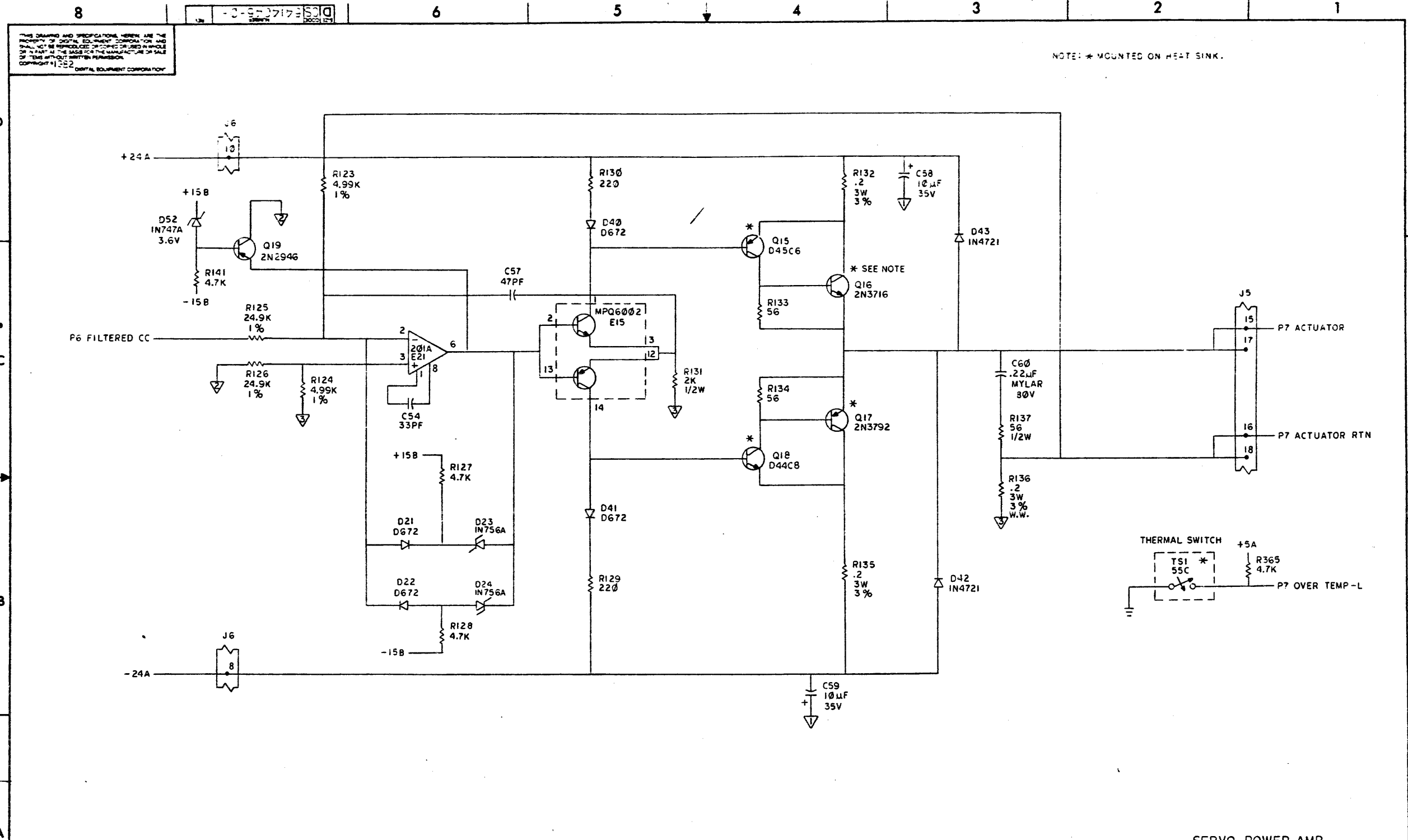
4

3

2

1

SHO



THIS DRAWING AND SPECIFICATIONS HEREBY ARE THE PROPERTY OF DIGITAL EQUIPMENT CORPORATION AND SHALL NOT BE REPRODUCED OR COPIED OR USED IN WHOLE OR IN PART IN THE MANUFACTURE OR SALE OF THIS OR ANY OTHER EQUIPMENT WITHOUT THE WRITTEN PERMISSION OF DIGITAL EQUIPMENT CORPORATION.

NOTE: * MOUNTED ON HEAT SINK.

SERVO POWER AMP

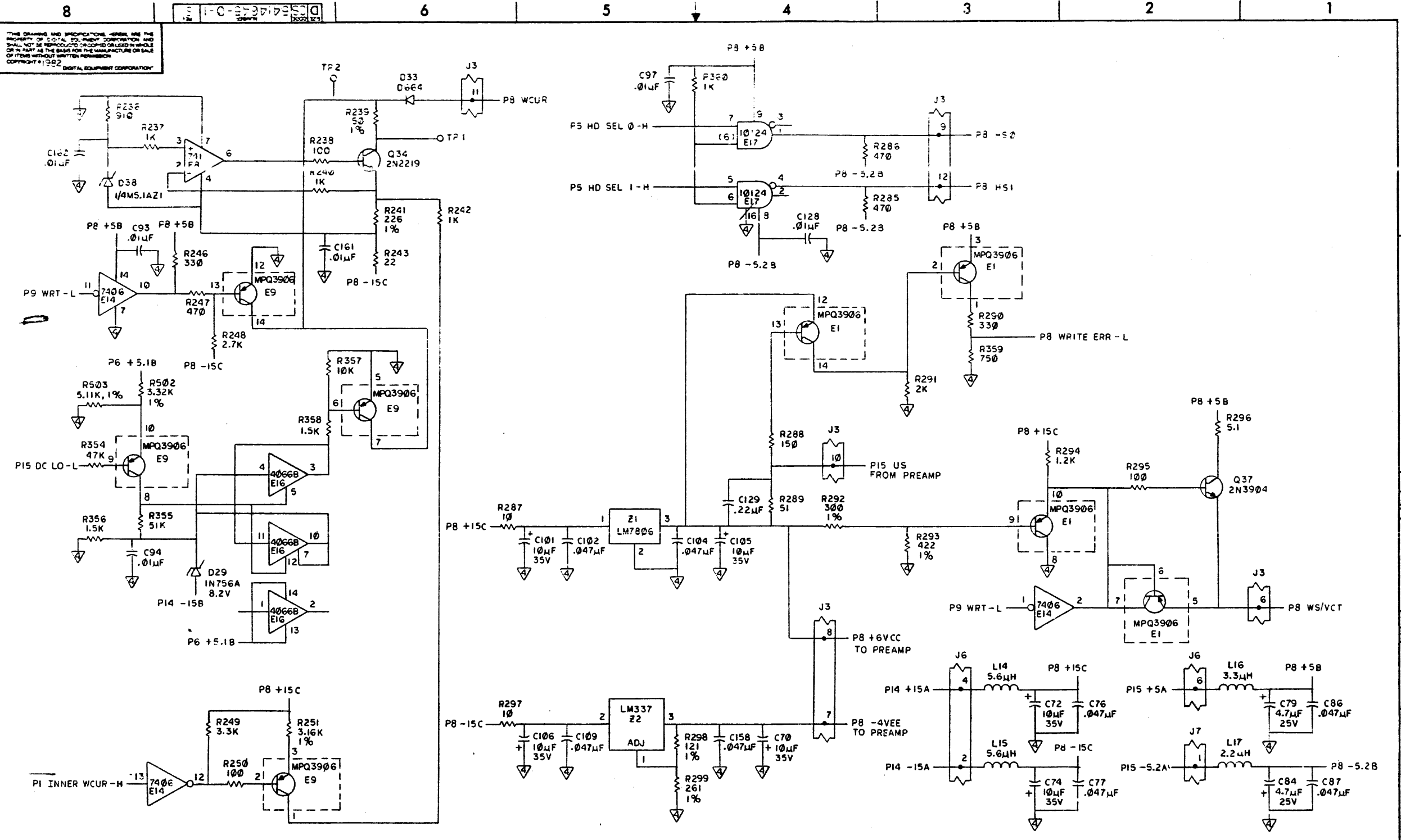
REVISION HISTORY		
DATE	ECO NUMBER	REV.

TITLE
AZTEC DRIVE CARD (P7)

DOCUMENT NUMBER		
SIZE	CODE	NUMBER
D	CS	5414645-0-1
SCALE	SHEET	7 OF 17

8 7 6 5 4 3 2 1

SHO 1

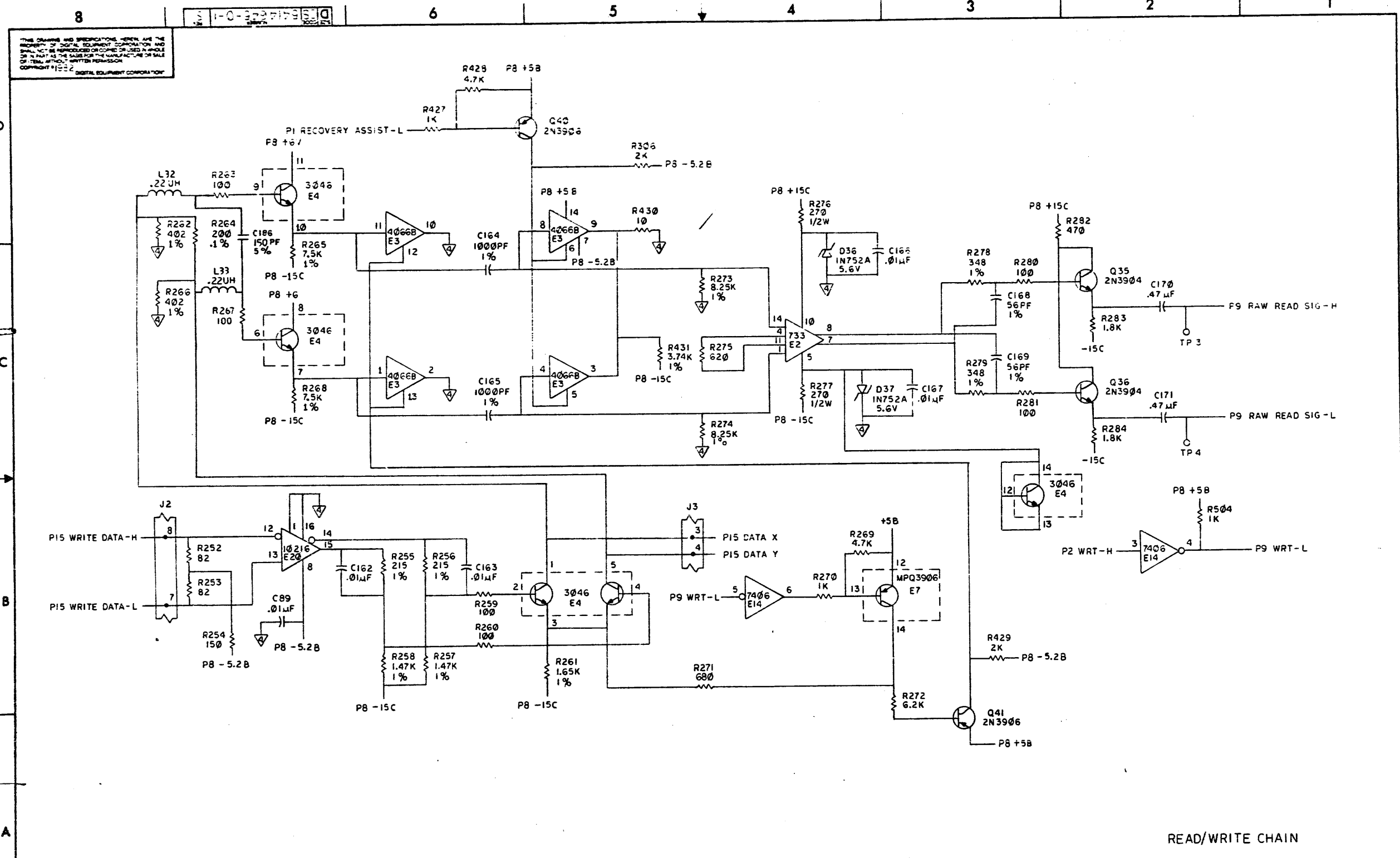


THIS DRAWING AND SPECIFICATIONS ARE THE PROPERTY OF DIGITAL EQUIPMENT CORPORATION AND SHALL NOT BE REPRODUCED OR COPIED IN WHOLE OR IN PART OR IN ANY MANNER WITHOUT WRITTEN PERMISSION. COPYRIGHT © 1972 DIGITAL EQUIPMENT CORPORATION.

REVISION HISTORY		
DATE	ECO NUMBER	REV.

TITLE		DOCUMENT NUMBER	
AZTEC DRIVE CARD (P8)		DCS 5414645-0-1	
SCALE	SHEET	REV.	
SHO	8 OF 17	S	

DCS 5414645-0-1

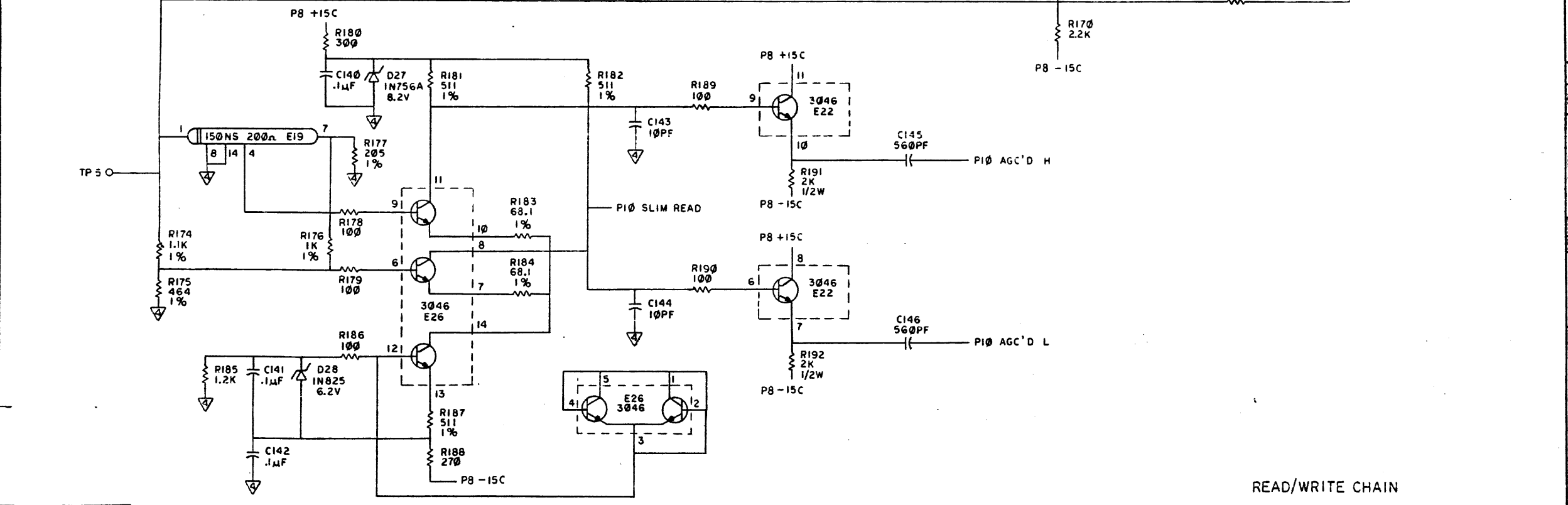
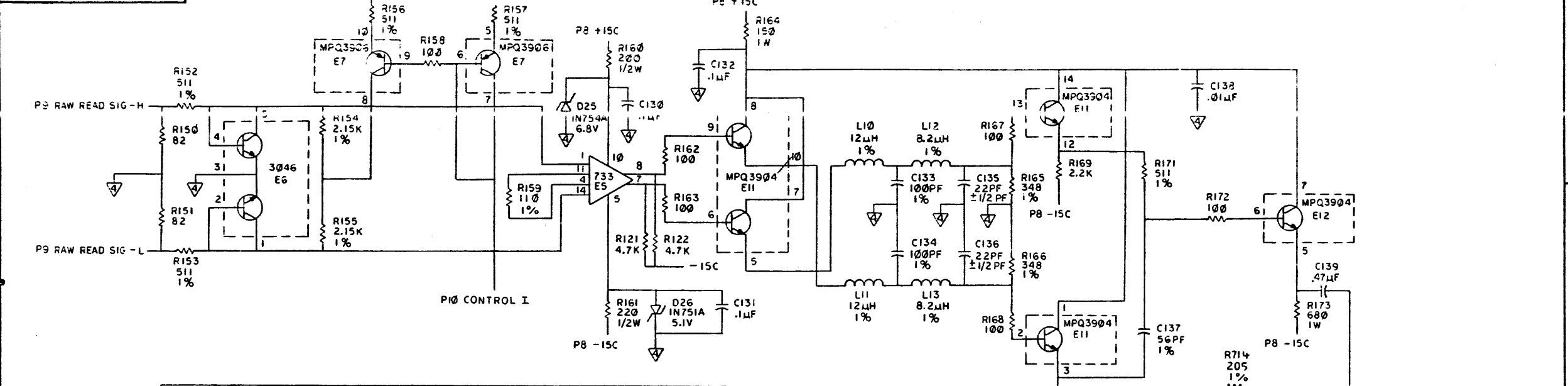


THIS DRAWING AND SPECIFICATIONS HEREAFTER ARE THE PROPERTY OF DIGITAL EQUIPMENT CORPORATION AND SHALL NOT BE REPRODUCED OR COPIED IN WHOLE OR IN PART AS THE BASIS FOR THE MANUFACTURE OR SALE OF ITEMS WITHOUT WRITTEN PERMISSION. COPYRIGHT © 1972 DIGITAL EQUIPMENT CORPORATION.

REVISION HISTORY			DOCUMENT NUMBER			
DATE	ECO NUMBER	REV.	SIZE	CODE	NUMBER	REV.
					DCS 5414645-0-1	5
					SCALE	SHEET 9 OF 17

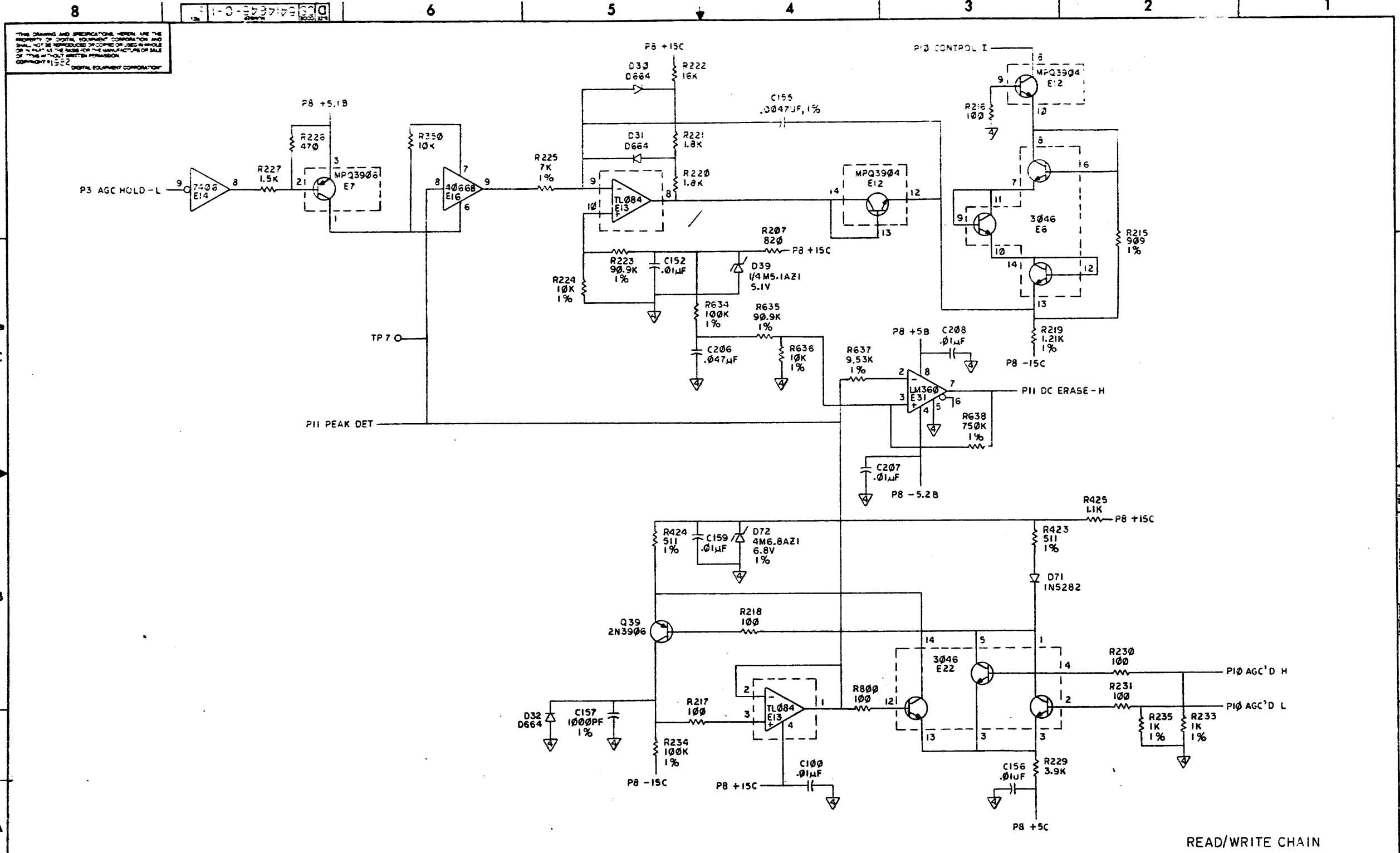
TITLE: AZTEC DRIVE CARD (P9) SHO 1

THIS DRAWING AND SPECIFICATIONS HEREBY ARE THE PROPERTY OF DIGITAL EQUIPMENT CORPORATION AND SHALL NOT BE REPRODUCED OR COPIED IN WHOLE OR IN PART AS THE BASIS FOR THE MANUFACTURE OR SALE OF ITEMS WITHOUT WRITTEN PERMISSION. COPYRIGHT © 1962 DIGITAL EQUIPMENT CORPORATION.



REVISION HISTORY		
DATE	ECO NUMBER	REV.

TITLE		DOCUMENT NUMBER	
AZTEC DRIVE CARD (PI0)		DCS 5414645-0-1	
SCALE	SHEET	REV.	
SHO	10 OF 17	S	



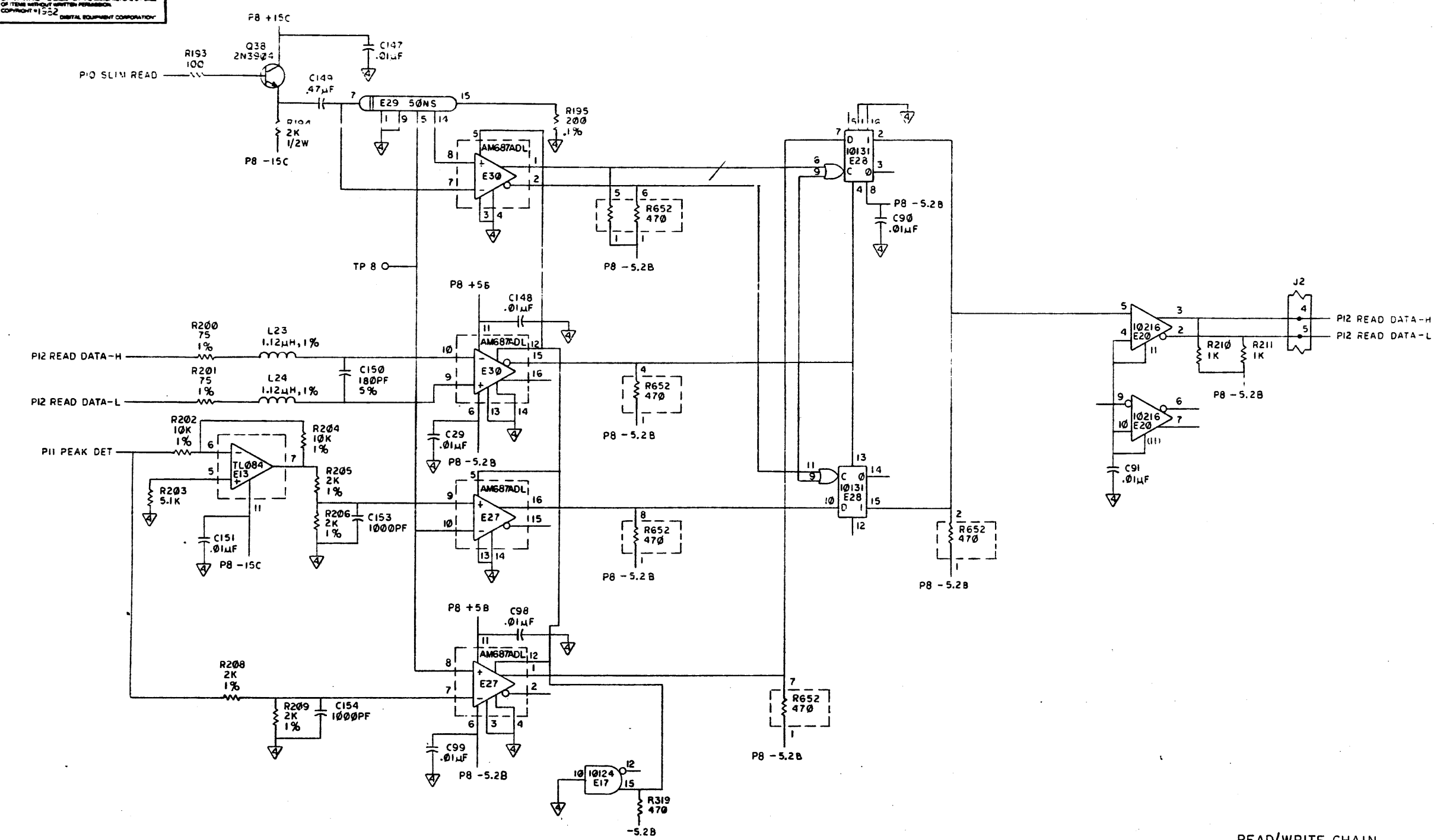
REVISION HISTORY		
DATE	ECO NUMBER	REV

TITLE		DOCUMENT NUMBER	
SCALE	SHEET	NUMBER	REV.
		DCS 5414645-0-1	5
		11 OF 17	

DCS 5414645-0-1 5

8 6 5 4 3 2 1

THIS DRAWING AND SPECIFICATIONS HEREAFTER ARE THE PROPERTY OF DIGITAL EQUIPMENT CORPORATION AND SHALL NOT BE REPRODUCED OR COPIED OR USED IN WHOLE OR IN PART AS THE BASIS FOR THE MANUFACTURE OR SALE OF ITEMS WITHOUT WRITTEN PERMISSION. COPYRIGHT © 1972 DIGITAL EQUIPMENT CORPORATION.



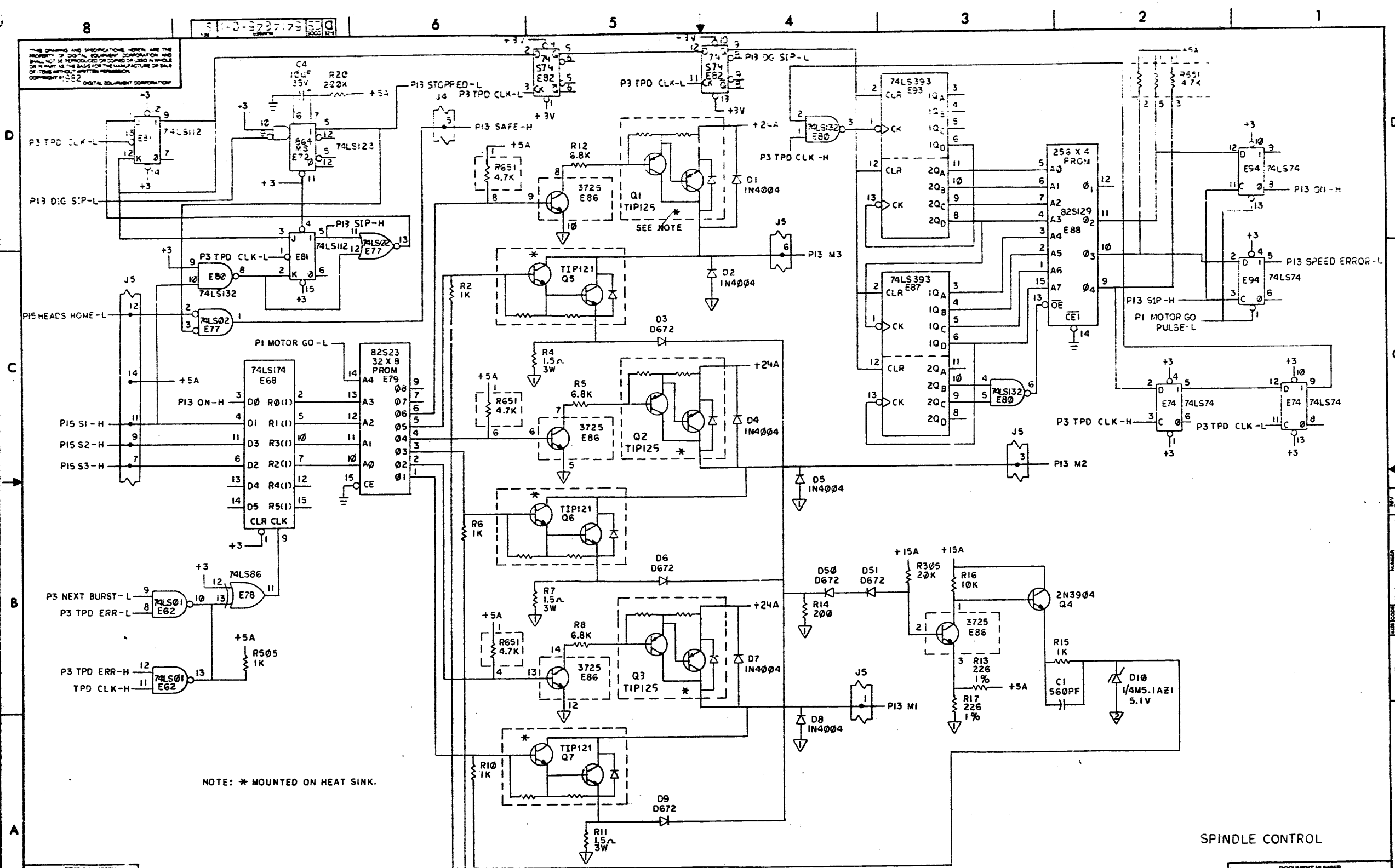
READ/WRITE CHAIN

REVISION HISTORY		
DATE	ECO NUMBER	REV.

TITLE		DOCUMENT NUMBER		REV.
AZTEC DRIVE CARD (PI2)		CS	5414645-0-1	S
SCALE		SHEET	12 OF 17	

8 7 6 5 4 3 2 1

D E S 5414645-0-1 S



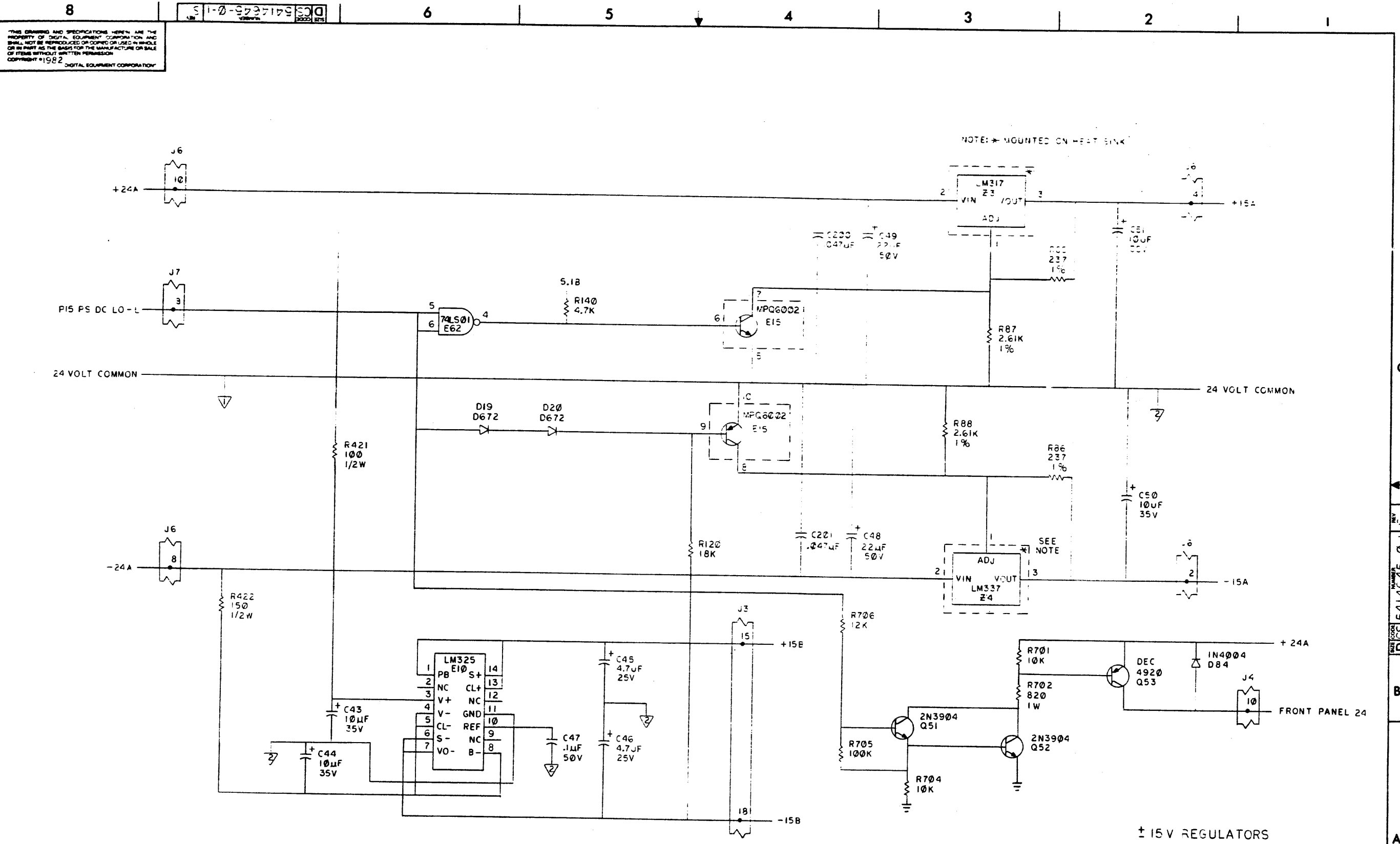
THIS DRAWING AND SPECIFICATIONS ARE THE PROPERTY OF DIGITAL EQUIPMENT CORPORATION AND SHALL NOT BE REPRODUCED OR COPIED IN WHOLE OR IN PART AS THE BASIS FOR THE MANUFACTURE OR SALE OF THIS WITHOUT WRITTEN PERMISSION. COPYRIGHT © 1972 DIGITAL EQUIPMENT CORPORATION

NOTE: * MOUNTED ON HEAT SINK.

SPINDLE CONTROL

REVISION HISTORY		
DATE	ECO NUMBER	REV.

DOCUMENT NUMBER		
SHEET	NUMBER	REV.
DCS 5414645-0-1	5	S
SCALE	SHEET 13 OF 17	



THIS DRAWING AND SPECIFICATIONS HEREIN ARE THE PROPERTY OF DIGITAL EQUIPMENT CORPORATION AND SHALL NOT BE REPRODUCED OR COPIED OR USED IN WHOLE OR IN PART AS THE BASIS FOR THE MANUFACTURE OR SALE OF ITEMS WITHOUT WRITTEN PERMISSION. COPYRIGHT © 1982 DIGITAL EQUIPMENT CORPORATION

5 1-0-9737179 300

6

5

4

3

2

1

D

D

C

C

B

B

A

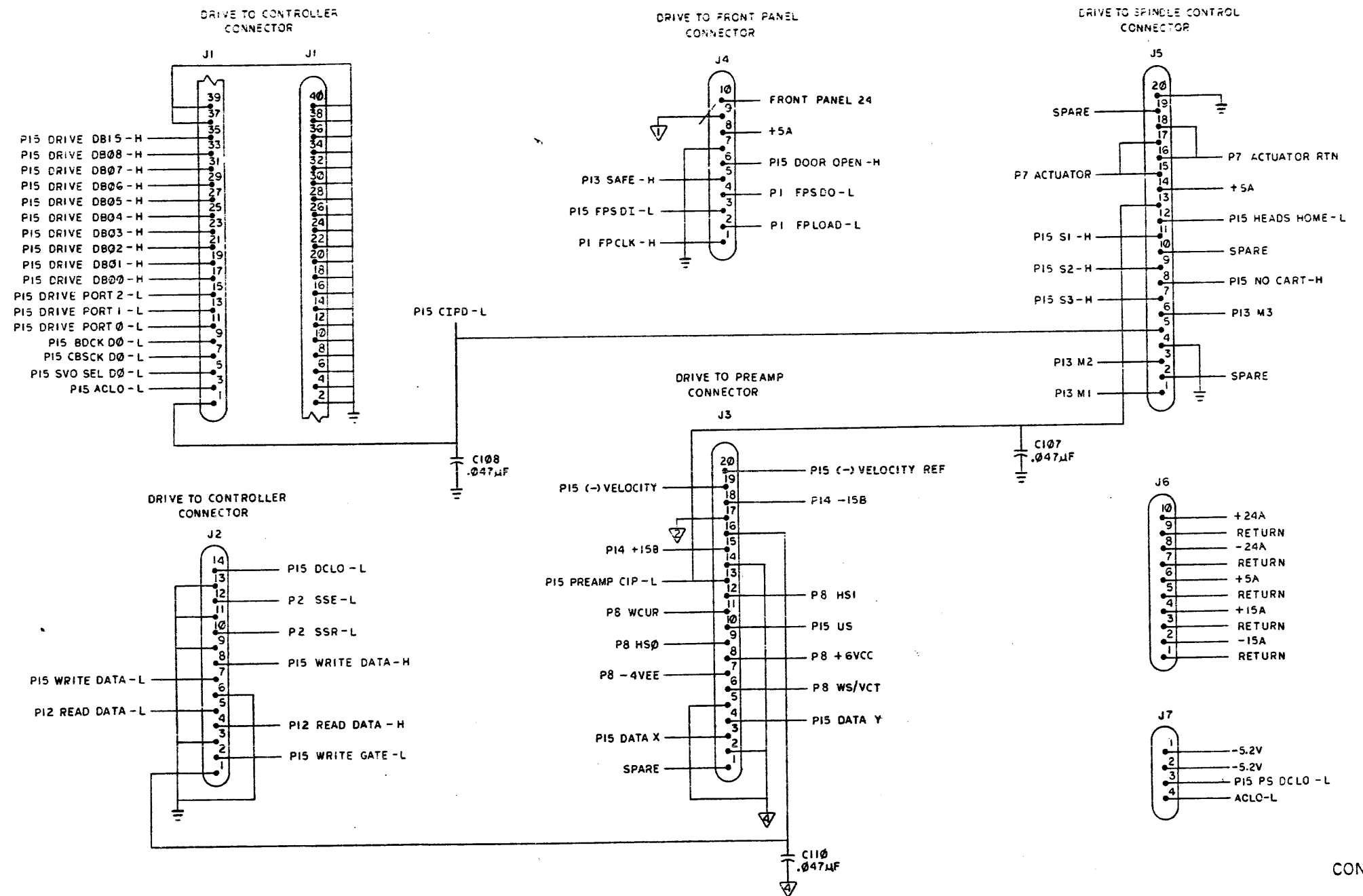
A

REV 5
NUMBER 5414645-0-1
DATE CODE DCS

REVISION HISTORY		
DATE	ECO NUMBER	REV.

TITLE	DOCUMENT NUMBER
AZTEC DRIVE CARD (PI4)	DCS 5414645-0-1 S
SCALE	SHEET 14 OF 17
SHO	1

THIS DRAWING AND SPECIFICATIONS HEREBY ARE THE PROPERTY OF DIGITAL EQUIPMENT CORPORATION AND SHALL NOT BE REPRODUCED OR COPIED OR IN ANY MANNER OR FOR ANY PURPOSE WITHOUT THE WRITTEN PERMISSION OF DIGITAL EQUIPMENT CORPORATION. COPYRIGHT © 1972 DIGITAL EQUIPMENT CORPORATION



REVISION HISTORY		
DATE	ECO NUMBER	REV.

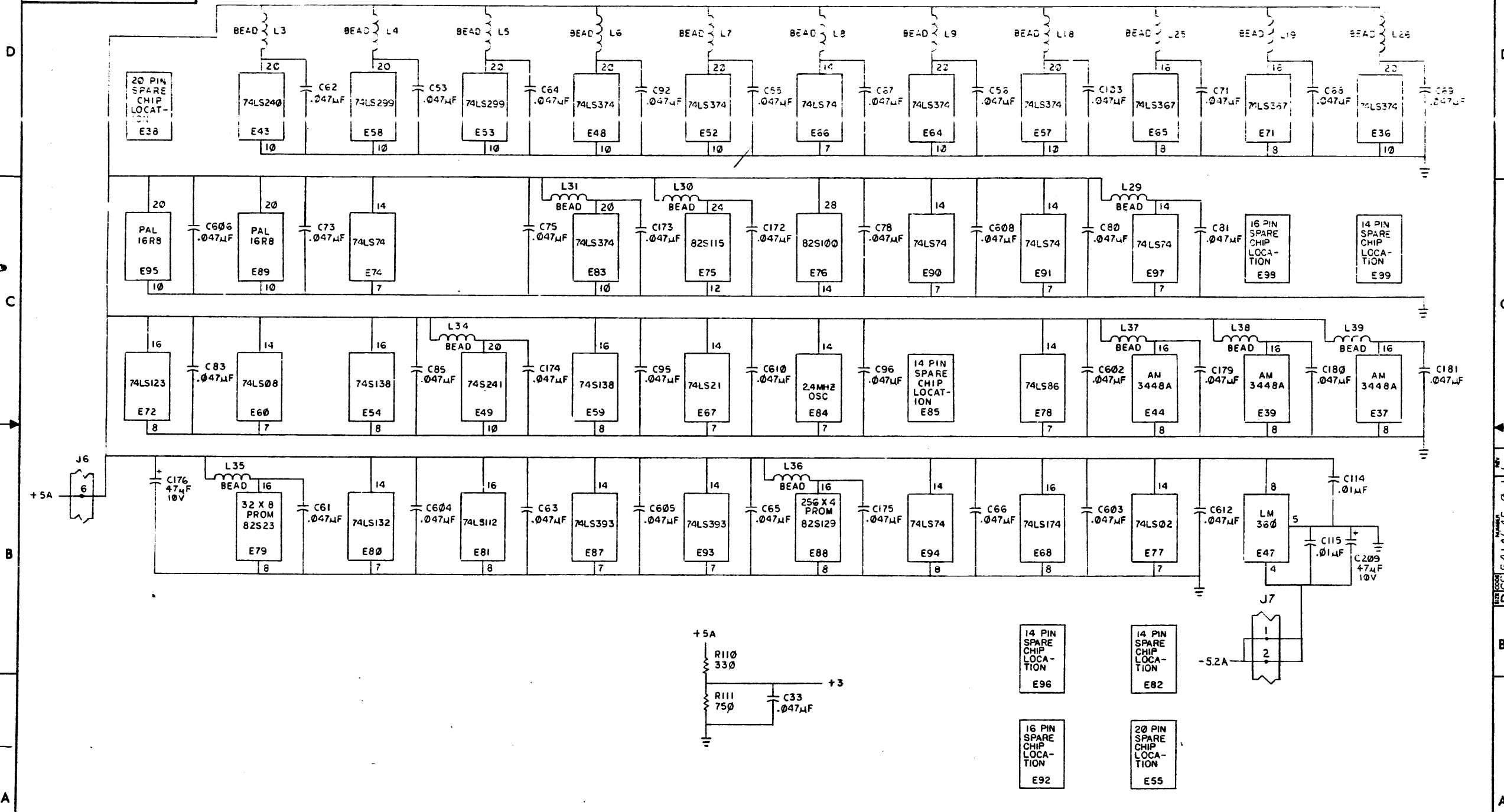
DOCUMENT NUMBER		SCALE	SHEET	OF	REV.
DCS	5414645-0-1		15	OF	17

TITLE: AZTEC DRIVE CARD (PI5)

SHO 1

8 6 5 4 3 2 1

THIS DRAWING AND SPECIFICATIONS HEREAFTER ARE THE PROPERTY OF DIGITAL EQUIPMENT CORPORATION AND SHALL NOT BE REPRODUCED OR COPIED OR USED IN WHOLE OR IN PART AS THE BASIS FOR THE MANUFACTURE OF SALES OF THIS WITHOUT WRITTEN PERMISSION. COPYRIGHT © 1982 DIGITAL EQUIPMENT CORPORATION.



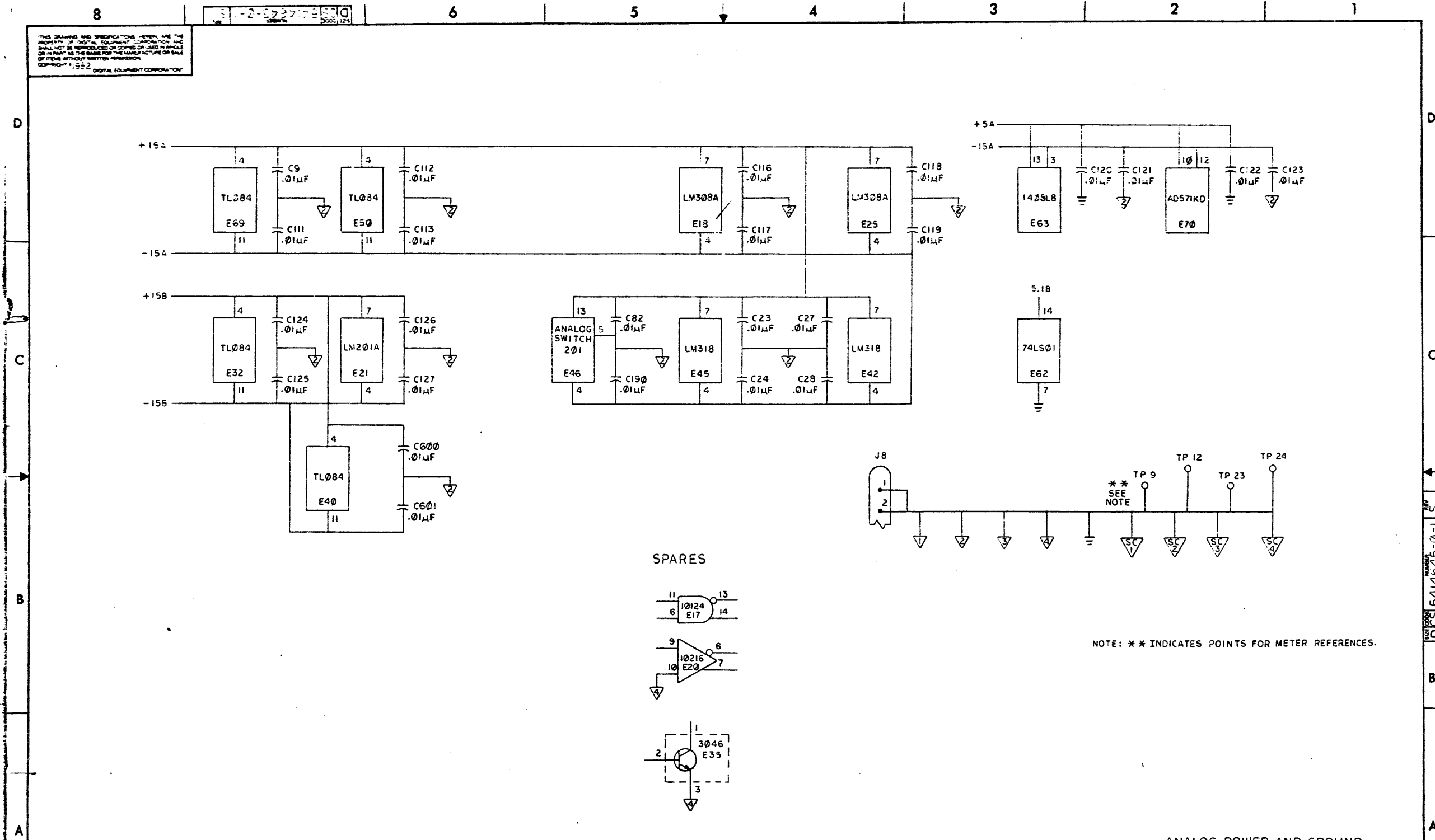
DIGITAL POWER AND GROUND

REVISION HISTORY		
DATE	ECO NUMBER	REV.

TITLE		DOCUMENT NUMBER		
		SIZE	CODE	NUMBER
AZTEC DRIVE CARD (PI6)		D	CS	5414645-0-1
		SCALE		SHEET 16 OF 17

8 7 6 5 4 3 2 1

THIS DRAWING AND SPECIFICATIONS HEREIN ARE THE PROPERTY OF DIGITAL EQUIPMENT CORPORATION AND SHALL NOT BE REPRODUCED OR COPIED OR USED IN WHOLE OR IN PART AS THE BASIS FOR THE MANUFACTURE OR SALE OF ITEMS WITHOUT WRITTEN PERMISSION.
 COPYRIGHT © 1972 DIGITAL EQUIPMENT CORPORATION



NOTE: ** INDICATES POINTS FOR METER REFERENCES.

ANALOG POWER AND GROUND

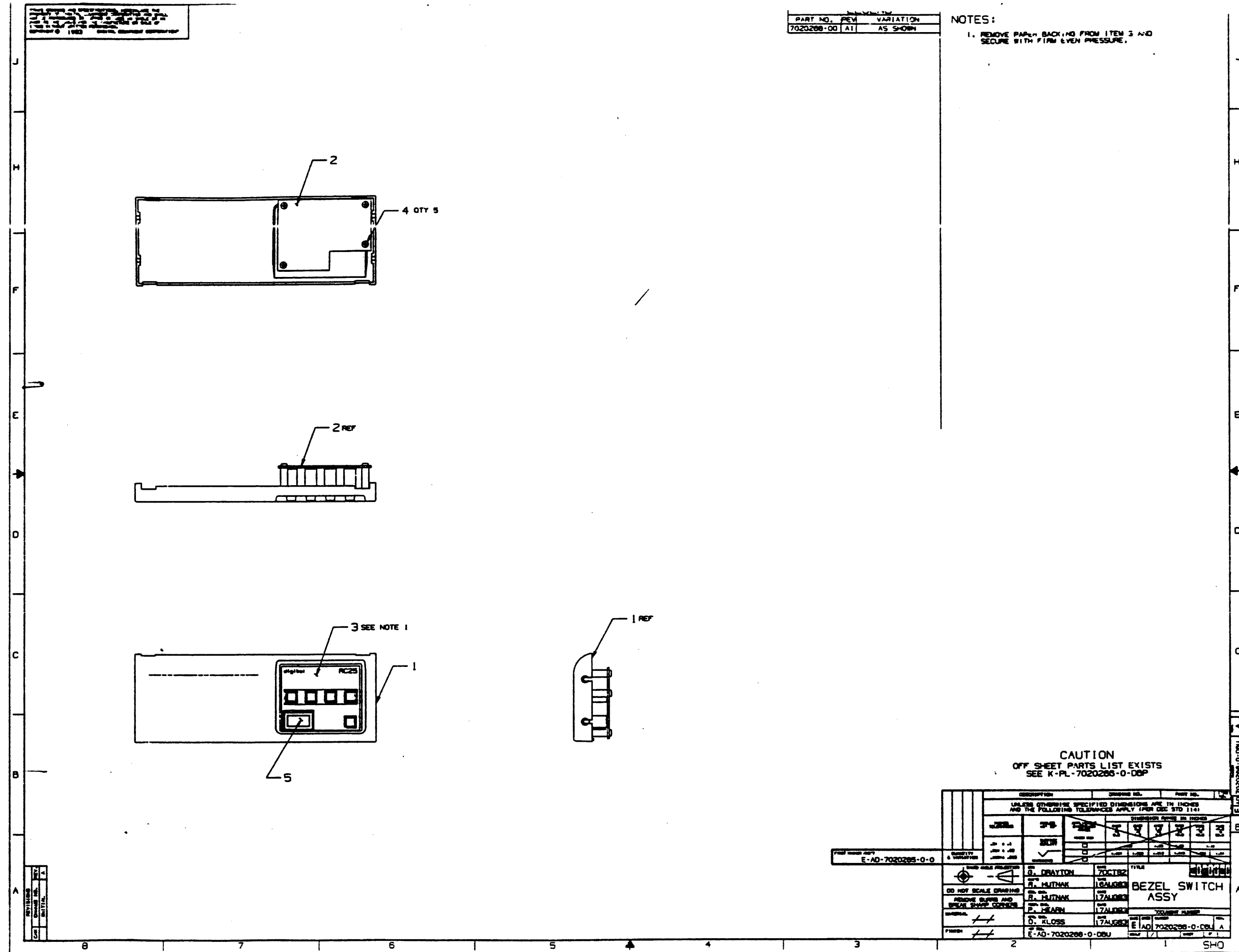
REVISION HISTORY		
DATE	ECO NUMBER	REF.

TITLE		DOCUMENT NUMBER	
AZTEC DRIVE CARD (P17)		DCS 5414645-0-1	REV. S
SCALE		SHEET 17 OF 17	

UNLESS OTHERWISE SPECIFIED, DIMENSIONS ARE IN INCHES AND DECIMALS THEREOF. TOLERANCES ARE AS SHOWN.

PART NO.	REV	VARIATION
7020286-00	A1	AS SHOWN

NOTES:
1. REMOVE PAPER BACKING FROM ITEM 3 AND SECURE WITH FIRM EVEN PRESSURE.



CAUTION
OFF SHEET PARTS LIST EXISTS
SEE K-PL-7020286-0-DBP

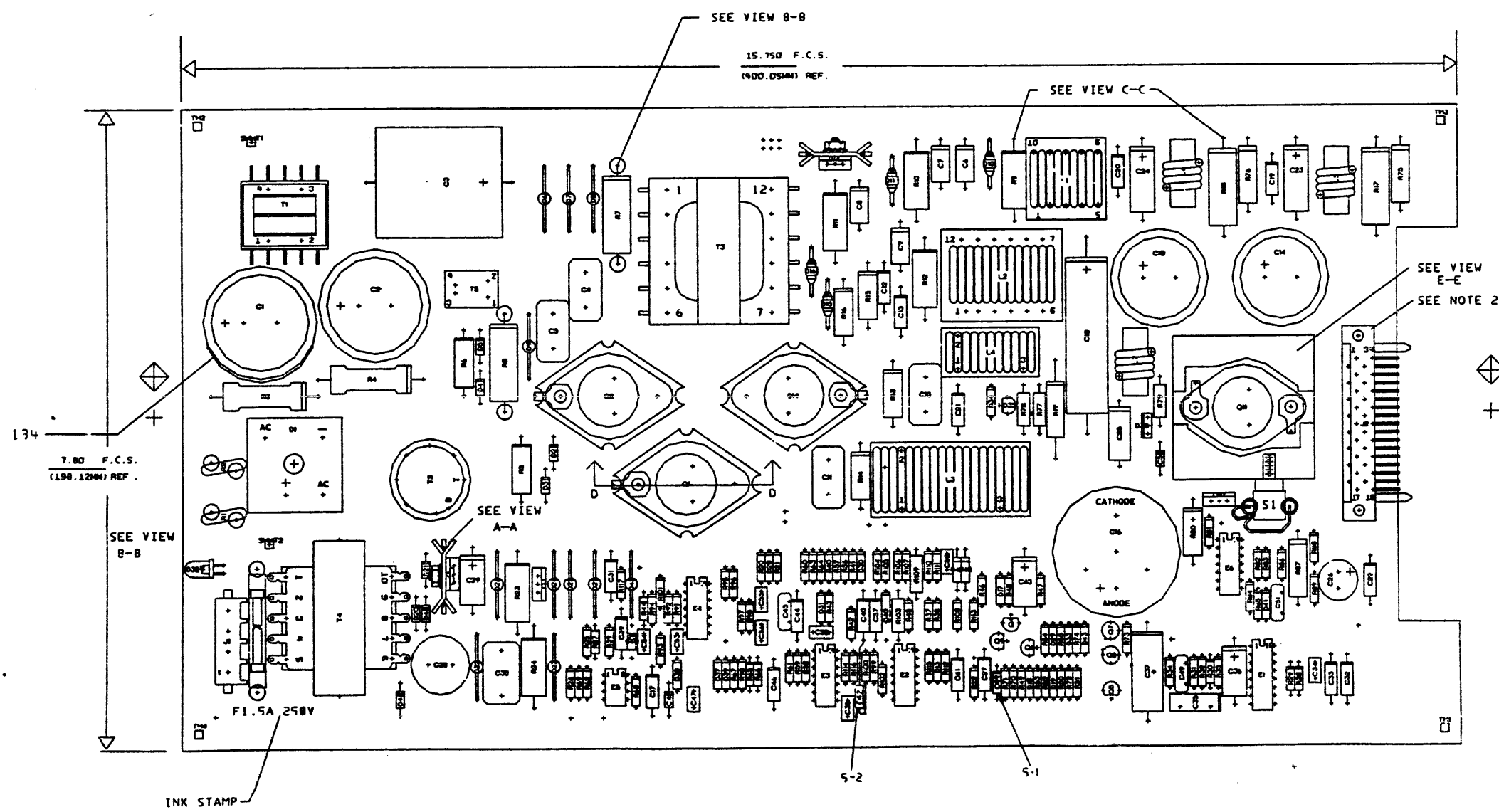
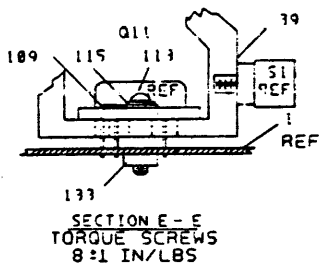
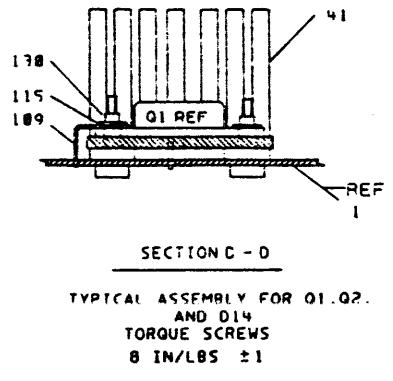
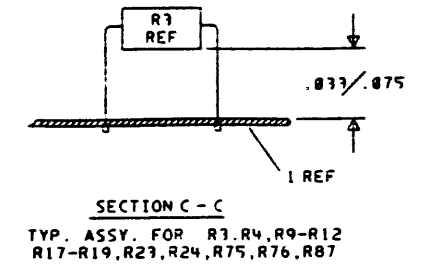
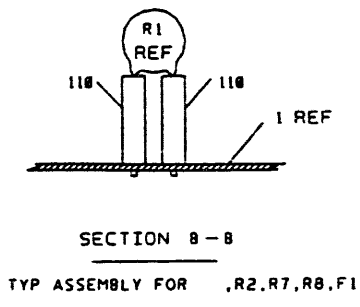
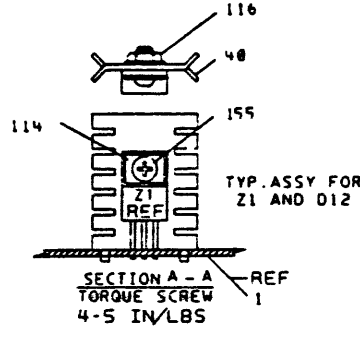
DESCRIPTION	QUANTITY	UNIT	REV	DATE	BY	CHKD	APP'D	TITLE
BEZEL SWITCH ASSY	1	ASSEMBLY			G. DRAYTON			BEZEL SWITCH ASSY
					R. HILTMAN			DESIGNED
					R. HILTMAN			DRAWN
					P. CLARKE			CHECKED
					D. KLOSS			APPROVED
FINISH: <i>Hand</i>								

REVISED	BY	DATE
1	A	

LINE	ITEM	DOCUMENT NUMBER	PART NUMBER	DESCRIPTION	QUANTITY PER UNIT
1		E-MD-7425081-0-DBU	7425081-00	BEZEL	1
2			5414671-00	FRONT PANEL PWB	1
3		A-PS-3621012-0-0	3621012-01	LABEL,RC25 BEZEL SWITCH	1
4			9009800-07	SCREW,TAP PAN PHIL THD RL 4-	4
5		D-AD-7020616-0-DBU	7020616-01	UNIT SELECT SWITCH ASSY	1

REVISION HISTORY			BASIC PART NO: 7020266			D I G I T A L		
ENG	ECO NUMBER	REV	SECTION A OF A	DRN:	DATE:	TITLE		
	INITIAL	A	SECTION VARIATION INDEX	CHK'D:	DATE:	PARTS LIST		
			[A] 00	R. HUTNAK	27-OCT-82	SWITH BEZEL ASSY.		
			[B]	DES.ENG.:	DATE:	DOCUMENT NUMBER		
			[C]	R. HUTNAK	27-OCT-82			
			[D]	RESP.ENG.:	DATE:	SIZE	CODE	NUMBER
			[E]	P. HEARN	27-OCT-82	K	PL	7020266-0-DBP
			[F]	MFG.ENG.:	DATE:	FILE NAME:		REV
				D. KLOSS	17-NOV-83	Z5677A.PLS		A
				ASSEMBLY NUMBER:	TOP DOCUMENT NUMBER:	EDIT #:		
				E-IA-7020266-0-DBU	E-IA-7020266-0-DBU			7

"THIS DRAWING AND SPECIFICATIONS HEREIN, ARE THE PROPERTY OF DIGITAL EQUIPMENT CORPORATION AND SHALL NOT BE REPRODUCED OR COPIED OR USED IN WHOLE OR IN PART AS THE BASIS FOR THE MANUFACTURE OR SALE OF ITEMS WITHOUT WRITTEN PERMISSION. COPYRIGHT (C) 1983. DIGITAL EQUIPMENT CORPORATION "



REV	DATE	BY	CHKD	APP'D
1				
2				
3				
4				
5				
6				
7				
8				
9				
10				
11				
12				
13				
14				
15				
16				
17				
18				
19				
20				
21				
22				
23				
24				
25				
26				
27				
28				
29				
30				
31				
32				
33				
34				
35				
36				
37				
38				
39				
40				
41				
42				
43				
44				
45				
46				
47				
48				
49				
50				
51				
52				
53				
54				
55				
56				
57				
58				
59				
60				
61				
62				
63				
64				
65				
66				
67				
68				
69				
70				
71				
72				
73				
74				
75				
76				
77				
78				
79				
80				
81				
82				
83				
84				
85				
86				
87				
88				
89				
90				
91				
92				
93				
94				
95				
96				
97				
98				
99				
100				

NOTES:
 1 THIS BOARD MEETS REQUIREMENTS FOR
 U.S. MIL. SPEC. MIL-STD-883C
 2 THIS BOARD MUST BE INSERTED AND HAND
 SOLDERED AFTER HAVE SOLDER
 STEP 1 & 2 HAS BEEN COMPLETED
 STEP 3 & 4 HAS BEEN COMPLETED

LINE	ITEM	TOP DOCUMENT	PART NUMBER	MIN REV	DESCRIPTION	QTY	PER VARIATION	REFERENCE DESIGNATOR
						00		
VARIATION REVISION LEVEL:								
1	1	D-MD-5015159-0-0	5015159-00		CIRCUIT DRILL AND ETC-	1		
2	2		1000016-00		100.0 MMF 100V 5%200PPM MICA	1		C49
3	3		1000027-00		820.0 MMF 100V 5%200PPM MICA	1		C51
4	4		1000042-00		1000.0 MMF 100V 5%200PPM MICA	1		C45
5	5		1001610-00		.01 MFD 50V +80-20% Z5U CER	2		C48,C50
6	6		1002629-00		.15 MFD 100V 10% MYLR	1		C37
7	7		1010274-02		1 MFD 50V +80-20% CER	9		C34,C47,C52-C56,C38,C58
8	8		1011847-01		.01 MFD 400V 10% POLYPROP	2		C10,C11
9	9		1011847-03		.0047 MFD 400V 10% POLYPROP	1		C30
10	10		1011849-02		1000 MFD 16V +75-10% AL EL	1		C18
11	11		1012084-01		8 MFD 25V +75-10% AL EL	3		C29,C36,C43
12	12		1012084-02		8 MFD 50V +75-10% AL EL	2		C23,C24
13	13		1013292-00		1800.0 MMF 100V 10% MYLR	4		C6-C9
14	14		1013466-10		3300.0 MMF 50V 5% CER	3		C12,C13,C31
15	15		1013466-11		.22 MFD 50V +80-20% Z5U CER	14		C19-C22,C27,C32,C33,C17,C44,C46,
							CONT	C57,C40,C41,C42
16	16		1014139-00		.0022 MFD 600V 10% POLYPROP	2		C4,C5
17	17		1014170-00		2700.0 MMF 100V 1% 70PPM MICA	1		C35
18	18		1016549-00		47 MFD 10V +50-10% AL EL	1		C25
19	19		1019413-01		820 MFD 200V +85-25% AL EL	2		C1,C2
20	20		1019414-01		22,000 MFD 16V +30-10% AL EL	1		C16
21	21		1019415-01		10,000 MFD 35V +30-10% AL EL	2		C14,C15
22	22		1019532-01		*** THIS ITEM IS NOT USED ***	-		
23	23		1019422-01		4.7MFD 400V 20% MET. MYLR	1		C3
24	24		1100114-00		PIV= 25 IO=135 MA	9		D33,D17-D19,D28-D31,D13
25	25		1105796-00		PIV= 400 IO= 1.00A 1N4004 DO-41	8		D2-D5,D20,D21,D45,D46
26	26		1105871-00		VZ= 5.15 1% 250 MW	1		D41
27	27		1111205-00		VZ= 5.7 2% 400 MW	1		D34
28	28		1112595-01		PIV= 200 IO= 1.00A AXIAL	7		D22-D27,D42
29	29		1112595-02		PIV= 600 IO= 1.00A AXIAL	4		D6-D9

REVISION HISTORY			BASIC PART NO: 5415160								
ENG	ECO NUMBER	REV	SECTION A OF A	DRN:	MARY BAIROS	DATE:	02-FEB-82	D I G I T A L			
RE	INITIAL	A	SECTION VARIATION INDEX	CHK'D:	DICK BARRIERE	DATE:	06-FEB-82	TITLE PARTS LIST			
C.R	5415160-SH001	B	[A] 00					AZTEC DISK POWER SUPPLY			
C.R	5415160-SH002	C	[B]					DOCUMENT NUMBER			
C.R	5415160-SH003	D	[C]	DES.ENG:	RAY EVANS	DATE:	05-NOV-82	SIZE	CODE	NUMBER	REV
C.R	5415160-SH004	E	[D]					K	PL	5415160-0-DBP	F
C.R	5415160-SH005	F	[E]	RESP.ENG.:	RAY EVANS	DATE:	05-NOV-82	RELEASE DATE: 12-APR-85			
			[F]								
			[H]								
			[J]								
			[K]	MFG.ENG.:	JIM KALLAGHER	DATE:	05-NOV-82				
			[L]								
			[M]	ASSEMBLY NUMBER:		TOP DOCUMENT NUMBER:		FILE NAME:	EDIT #		
			[N]	D-UA-5415160-0-0		#B-DD-5415160-0		Z3155F.PLS	57		

"THIS DRAWING AND THE SPECIFICATIONS CONTAINED HEREIN ARE CONFIDENTIAL AND PROPRIETARY. THEY ARE THE PROPERTY OF DIGITAL EQUIPMENT CORPORATION AND SHALL NOT BE REPRODUCED OR COPIED OR USED IN WHOLE OR IN PART AS THE BASIS FOR THE MANUFACTURE OR SALE OF ITEMS WITHOUT WRITTEN PERMISSION. THIS IS AN UNPUBLISHED WORK PROTECTED UNDER THE FEDERAL COPYRIGHT LAWS."

LINE	ITEM	TOP DOCUMENT	PART NUMBER	MIN REV	DESCRIPTION	QTY	PER VARIATION	REFERENCE DESIGNATOR
						00		
30	30		1114117-00		PIV= 40 IO= 75 A - 4NS	4		D37-D39,D44
31	31		1114245-00		RECT. ASSY PIV= 600 IO=30.00A	1		D1
32	32		1114893-00		RECT,ULTRA FAST PIV= 50 IO= 6.0	2		D15,D16
33	33		1115273-00		RECT,ULTRA FAST PIV= 200 IO= 3.0	2		D10,D11
34	34		1116323-00		*** THIS ITEM IS NOT USED ***	-		
35	35		1117061-00		THYRISTOR, VDRM= 25 MC	1		D36
36	36		1118196-01		LED 5MCD@20MA 2.1V GREEN	1		D32
37	37		1209482-00		CARD EDGE 17POS(1X17),100CC STR	1		J2
38	38		1217485-02		MATE-N-LOK 04SKT(1X04),250CC ASS	1		J1
39	39	USED ON Q11	1214255-12		HEAT SINK,T0-3 01.75X01.7	1		HS1
40	40	USED ON Z1, D12	1215228-00		HEAT SINKS,T0-220/ 01.25X0.87	2		HS5,HS6
41	41	USED ON Q1,Q2,D14	1219050-00		HEAT SINKS,T0-3 1.880X1.40	3		HS2,HS3,HS4
42	42		1210824-02		THERMOSTAT,0@121,C@185,SPST,NORM	1		S1
43	43		1300168-00		10.0 .50 W 5.0 % CF	1		R78
44	44		1300171-00		10.0 1.0 W 5.0 % CC	4		R13,R14,R15,R80
45	45		1300229-00		100.0 .25 W 5.0 % CF	2		R47,R60
46	46		1300271-00		220.0 .25 W 5.0 % CF	2		R57,R113
47	47		1300316-00		470.0 .25 W 5.0 % CF	2		R49,R20
48	48		1300365-00		1.0 K .25 W 5.0 % CF	8		R69,R67,R73,R56,R112,R114-R116
49	49		1300417-00		2.20 K .25 W 5.0 % CF	4		R50,R53,R71,R90
50	50		1300479-00		10.0 K .25 W 5.0 % CF	7		R45,R46,R48,R51,R52,R62,R70
51	51		1300496-00		*** THIS ITEM IS NOT USED ***	-		
52	52		1301322-00		180.0 .25 W 5.0 % CF	1		R83
53	53		1301425-00		300.0 .25 W 5.0 % CF	3		R25,R26,R81
54	54		1301695-00		47.0 .50 W 5.0 % CF	2		R77,R79
55	55		1301966-00		820.0 2.0 W10.0 % CC	1		R24
56	56		1302455-00		220.0 2.0 W 5.0 % CC	1		R23
57	57		1311653-00		*** THIS ITEM IS NOT USED ***	-		
58	58		1302956-00		196.0 .25 W 1.0 % RN55D-F10	1		R86
59	59		1303044-00		100.0 K .25 W 1.0 % RN55D-F10	1		R32
60	60		1303110-00		19.60 .25 W 1.0 % RN55D-F10	1		R21
61	61		1309419-00		*** THIS ITEM IS NOT USED ***	-		
62	62		1303303-00		2.61 K .25 W 1.0 % RN55D-F10	3		R84,R85,R88
63	63		1304854-00		5.11 K .25 W 1.0 % RN55D-F10	2		R95,R96
64	64		1305323-00		*** THIS ITEM IS NOT USED ***	-		
65	65		1309414-00		9.76 K .25 W 1.0 % RN55D-F10	2		R91,R92
66	66		1312930-00		*** THIS ITEM IS NOT USED ***	-		
67	67		1309595-00		1.0 M .25 W 5.0 % CF	1		R61
68	68		1309963-00		260.0 5.0 W 3.0 % WW	4		R7,R8,R17,R18
69	69		1310630-00		1.33 K .25 W 1.0 % RN55D-F10	1		R82
70	70		1310633-00		2.55 K .25 W 1.0 % RN55D-F10	1		R89
71	71		1312626-00		2.49 K .25 W 1.0 % RN55D-F10	4		R34,R35,R58,R59
72	72		1313712-00		.01 5.0 W 3.0 % WW	1		R19
73	73		1305322-00		*** THIS ITEM IS NOT USED ***	-		
74	74		1313476-00		51.10 K .25 W 1.0 % RN55D-F10	6		R93,R94,R98,R97,R31,R39
75	75		1310634-00		2.67 K .25 W 1.0 % RN55D-F10	2		R63,R64
76	76		1313918-00		9.10 K .25 W 5.0 % CF	2		R55,R72
77	77		1314088-00		20.0 K 5.0 W 5.0 % WW	2		R3,R4

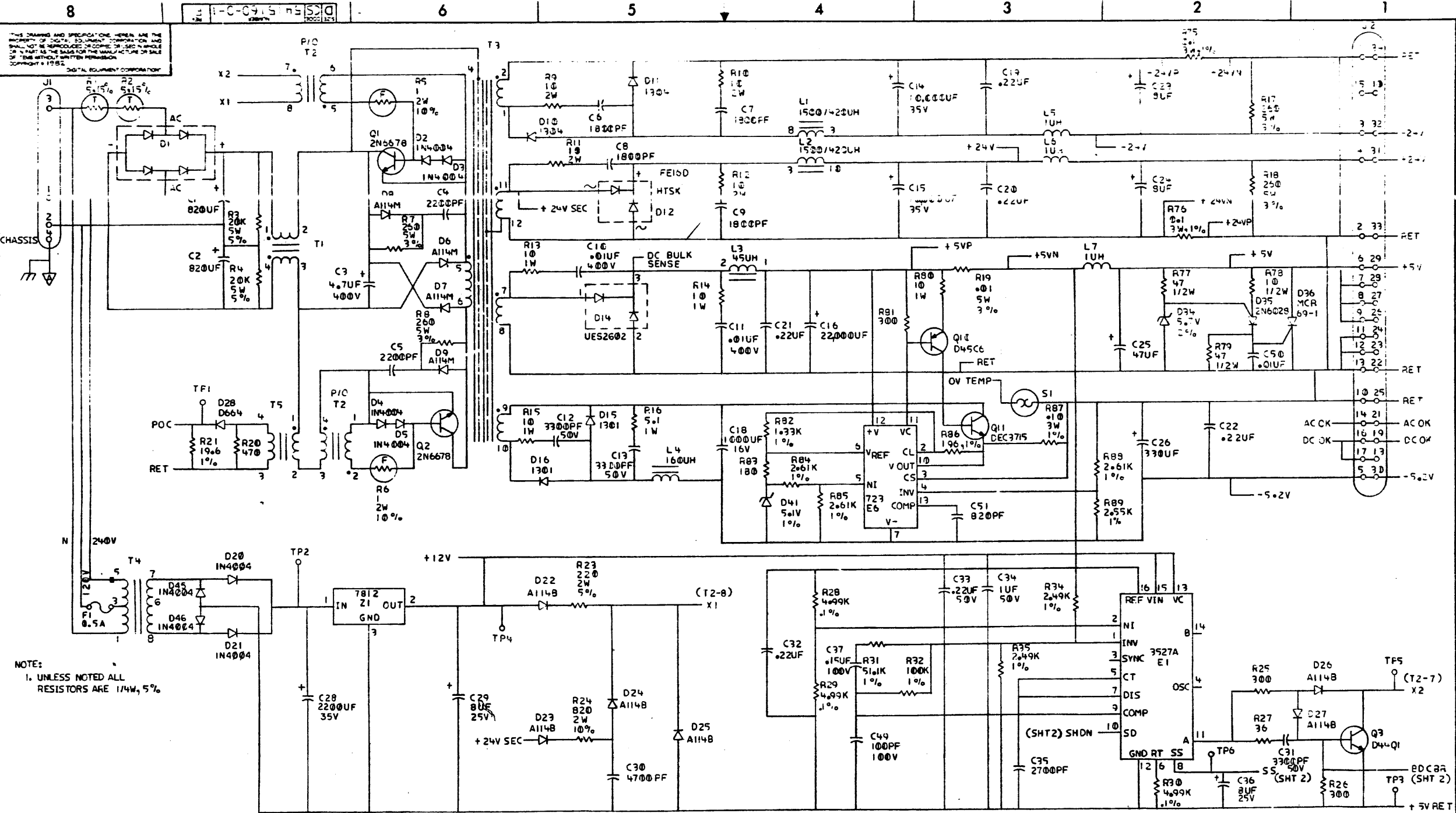
D	I	C	I	T	A	L	TITLE	SECTION A	OF A	SIZE	CODE	DOCUMENT NUMBER	REV
							AZTEC DISK POWER SUPPLY			K	PL	5415160-0-DBP	F

LINE	ITEM	TOP DOCUMENT	PART NUMBER	MIN REV	DESCRIPTION	QTY	PER VARIATION	REFERENCE DESIGNATOR
						00		
78	78		1314270-00	5.0	5.0 % NTC THERM	2		R1,R2
79	79		1314350-00	1.0	2.0 W10.0 % FUSE	2		R5,R6
80	80		1314673-00	36.0	.25 W 5.0 % CF	1		R27
81	81		1315240-00	.10	3.0 W 1.0 % WW	3		R75,R76,R87
82	82		1316443-00	45.30	K .25 W 1.0 % RN55D-F10	2		R65,R66
83	83		1316575-00	10.0	2.0 W 5.0 % CC	4		R9,R10,R11,R12
84	84		1317231-00	4.99	K .25 W .10% RN55E-B 2	3		R28,R29,R30
85	85		1503068-00		DEC3715 NPN 150WC SI 60 50 Y	1		Q11
86	86		1510414-00		D 45C6 PNP 30WT SI 45 20 Y	1		Q10
87	87		1510705-00		XA 05 NPN 500MW SI 60 50 P	1		Q5
88	88		1510706-00		XA 55 PNP 500MW SI 60 50 P	3		Q4,Q6,Q9
89	89		1510877-00		2N 6028 UJT 300MW R67B	1		D35
90	90		1511686-00		DEC5433 FET N 350MW 10 25 1A	2		Q7,Q8
91	91		1514271-00		D 44Q1 NPN 31W SI	1		Q3
92	92		1517365-00		2N 6678 NPN 175W SI	2		Q1,Q2
93	93		1618012-00		1.0 UH 40A	3		L5,L6,L7
94	94		1618951-00		CHOKER,COMMON MODE 2A	1		T1
95	95		1618998-00		PULSE XFMR,BASE DRIVE	1		T2
96	96		1618999-00		*** THIS ITEM IS NOT USED ***	-		
97	97		1517557-01		XFMR,CURRENT RATIO 50:1	1		T5
98	98		1619363-01		160.0 UH 10% 2.5A	1		L4
99	99		1619364-01		45.0 UH 10% 16.0A	1		L3
100	100		1619362-01		XFMR P=200-400V S=5/+-24/10V	1		T3
101	101		1619489-01		420.0 UH@2.0A	1		L1
102	102		1910415-00		723 VOLT REG VAR 2/37V	1		E6
103	103		1911944-00		555CN TIMER,FUNCT.BLOCK	1		E5
104	104		1912048-05		7812 VOLT REG,FIX +12V	1		Z1
105	105		1912107-00		324 OP AMP,QUAD	1		E4
106	106		1912108-00		339 VOLT CMPRTR,QUAD	2		E3,E2
107	107		1916819-00		3527A MODULATOR,REGULATING	1		E1
108	108		1619490-01		420.0 UH@2.6A	1		L2
109	109		9009676-00		TERM,SOLDER BARRIER STR	5		
110	110		9009798-01		SPACER,CLEAR HOLE RND CERAM .07	10		
111	111		1315012-00		300.0 K .25 W 5.0 % CF	1		R68
112	112		9008301-01		*** THIS ITEM IS NOT USED ***	-		
113	113		9007793-01		SCREW,MACH PAN PHIL 6-	2		
114	114		9009769-00		WASHER,RECTNGLR STEEL	2		
115	115		9007801-00		WASHER,HELICAL SPLIT SST	8		
116	116		9006557-00		NUT,HEX EXT TOOTH LCKWSHR 4-40	2		
117	117		1013393-00		330 MFD 20V+100-10% AL EL	1		C26
118	118		1302136-00		5.10 1.0 W 5.0 % CC	1		R16
119	119		1304866-00		*** THIS ITEM IS NOT USED ***	-		
120	120		1304693-00		*** THIS ITEM IS NOT USED ***	-		
121	121		1303111-00		*** THIS ITEM IS NOT USED ***	-		
122	122		1312545-00		*** THIS ITEM IS NOT USED ***	-		
123	123		1117555-01		RECT,ULTRA FAST PIV= 200 IO=16.0	1		D12
124	124		1002630-00		.015 MFD 100V 10% MYLR	1		C39
125	125		1309386-00		5.60 M .25 W 5.0 % CF	2		R99,R100

D	I	G	I	T	A	L	TITLE	SECTION A	OF A	SIZE	CODE	DOCUMENT NUMBER	REV
							AZTEC DISK POWER SUPPLY			K	PL	5415160-0-DBP	F

LINE	ITEM	TOP DOCUMENT	PART NUMBER	MIN REV	DESCRIPTION	QTY PER VARIATION	REFERENCE DESIGNATOR
						00	
							VARIATION REVISION LEVEL:
126	126		1302092-00		220.0 K .25 W 5.0 % CF	1	R102
127	127		1316841-00		*** THIS ITEM IS NOT USED ***	-	
128	128		1214415-03		FUSE, REG BLOW, .500 , 250V,	1	F1
129	129		1210929-02		*** THIS ITEM IS NOT USED ***	-	
130	130		9008957-00		NUT,HEX 6-32X .246AF SS/N	6	
131	131		9107560-03		*** THIS ITEM IS NOT USED ***	-	
132	132		9107256-11		*** THIS ITEM IS NOT USED ***	-	
133	133		1214789-00		INSERT,THREAD	2	
134	134		3617615-00		LABEL,CAUTION REPLACE FUSE	1	
135	135		1114543-00		RECT,ULTRA FAST PIV= 100 IO=20.0	1	D14
136	136		1621595-01		*** THIS ITEM IS NOT USED ***	-	
137	137		1312923-00		*** THIS ITEM IS NOT USED ***	-	
138	138		1013466-19		470.0 MMF 50V 5% CER	1	C59
139	139		1309291-00		392.0 .25 W .10% RN55E-B 2	1	R104
140	140		1305353-00		2.0 K .25 W .10% RN55C-B 5	1	R41
141	141		1317816-00		287.0 .25 W .10% RN55E-B 2	1	R107
142	142		1301661-00		143.0 .50 W 1.0 % RN60C-F 5	1	R109
143	143		1302962-00		200.0 .25 W .10% RN55C-B 5	1	R110
144	144		1310632-00		2.37 K .25 W 1.0 % RN55D-F10	1	R111
145	145		1316638-00		2.49 K .25 W .10% RN55E-B 2	1	R42
146	146		1313596-00		20.0 K .25 W 1.0 % RN55D-F10	2	R40,R108
147	147		1317389-00		2.94 K .25 W .10% RN55E-B 2	1	R43
148	148		1317300-00		2.10 K .25 W .10% RN55E-B 2	1	R38
149	149		1313794-00		787.0 .25 W 1.0 % RN55D-F10	1	R22
150	150		1302873-00		261.0 .25 W 1.0 % RN55D-F10	1	R37
151	151		1117778-00		VZ= 20.0 5% 400 MW 1N968B	2	D47,D48
152	152		1305121-00		38.30 .25 W 1.0 % RN55D-F10	1	R106
153	153		1309297-00		1.69 K .25 W .10% RN55E-B 2	1	R105
154	154		1621595-02		XFMR,BIAS,50/60HZ,115/230V	1	T4
155	155		9006011-01		SCREW,MACH PAN PHIL 4-	2	
156	156		1020209-01		2200 MFD 35V +TC10% AL EL	1	C28
157	157		1300249-00		*** THIS ITEM IS NOT USED ***	-	
158	158		1105873-00		VZ= 5.1 1% .400MW	1	D40
159	159		1303312-00		10.0 K .25 W 1.0 % RN55D-F10	1	R44
160	160		1301422-00		7.50 K .25 W 5.0 % CF	2	R54,R74
161	161		1110836-00		VZ= 12.0 5% 400 MW 1N759A	1	D43
162	162		1301317-00		10.0 .25 W 5.0 % CF	1	R117
163	163		1318150-25		255.0 K .25 W 1.0 % RN55D-F10	1	R101
164	164		1300260-00		180.0 .50 W 5.0 % CF	1	R103
165	165		9107714-00		*** THIS ITEM IS NOT USED ***	-	
166	166		9107560-01		*** THIS ITEM IS NOT USED ***	-	
167	167		3621711-03		LABEL,BAR CODE 1.50X .38	1	
168	168		3621739-03		LABEL,COUNTRY OF ORIGIN SINGAPOR	1	

D	I	G	I	T	A	L	TITLE	SECTION A	OF A	SIZE	CODE	DOCUMENT NUMBER	REV
							AZTEC DISK POWER SUPPLY			K	PL	5415160-0-DBP	F

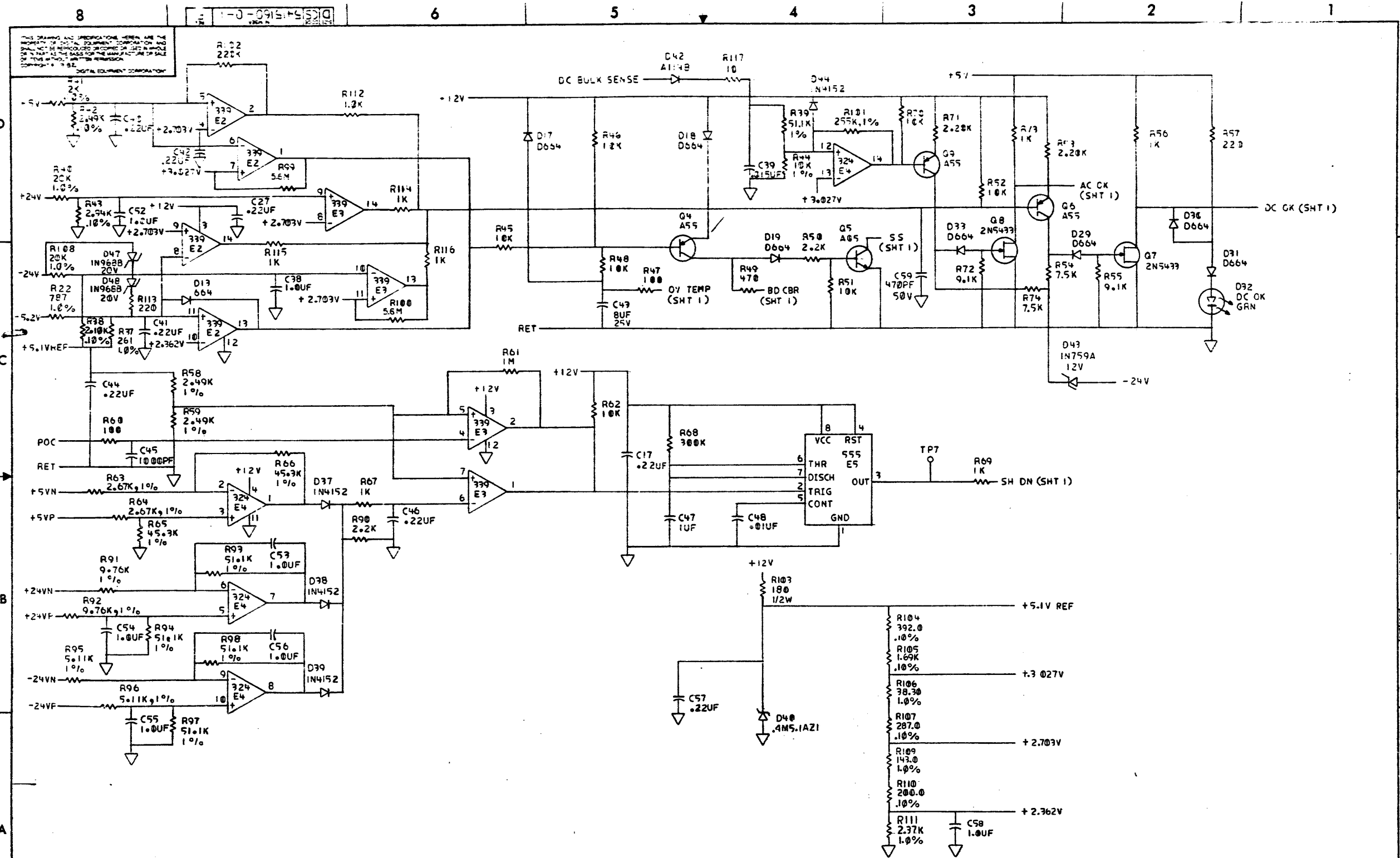


THIS DRAWING AND SPECIFICATIONS HEREIN ARE THE PROPERTY OF DIGITAL EQUIPMENT CORPORATION AND SHALL NOT BE REPRODUCED OR COPIED IN WHOLE OR IN PART OR BE BASED FOR THE MANUFACTURE OR SALE OF THIS WITHOUT WRITTEN PERMISSION. COPYRIGHT © 1972. DIGITAL EQUIPMENT CORPORATION

NOTE:
1. UNLESS NOTED ALL RESISTORS ARE 1/4W, 5%

DATE	REVISION HISTORY	REV.
11/10/72	INITIAL DESIGN	1
11/10/72	DESIGN CHANGES	2
11/10/72	DESIGN CHANGES	3
11/10/72	DESIGN CHANGES	4
11/10/72	DESIGN CHANGES	5
11/10/72	DESIGN CHANGES	6
11/10/72	DESIGN CHANGES	7
11/10/72	DESIGN CHANGES	8

DESIGNED BY Jim D'Angeli	DATE 3/10/72	TITLE AZTEC DISK POWER SUPPLY
CHECKED BY R. Berman	DATE 7/10/72	DOCUMENT NUMBER DCS 5415160-C-1
APPROVED BY R. Berman	DATE 11/10/72	SCALE SHO
DATE 11/10/72	DATE 11/10/72	SHEET 1 OF 2



REVISION HISTORY		
DATE	ECO NUMBER	REV.

TITLE
AZTEC DISC
POWER SUPPLY

DOCUMENT NUMBER			
SIZE	CODE	NUMBER	REV.
D	C	5415160-0-1	F
SCALE		SHEET 2 OF 2	

DCS 5415160-0-1 F

AUTOMATED BY PRTLST.43(50)

PARTS LIST

SHEET A1 OF A1

LINE	ITEM	TOP DOCUMENT	PART NUMBER	MIN REV	DESCRIPTION	VARIATION REVISION LEVEL:	QTY PER VARIATION
1	1	E-AD-7019521-0-0	7019521-00		BASE PLATE ASSY.		1
2	2	E-AD-7018653-0-DBU	7018653-00		MECHANISM CHASSIS ASSY		1
3	3		S006041-01		SCREW,MACH PAN PHIL	8-	4
4	4	D-IA-7018649-0-0	7018649-00		CABLE ASSY 10 CGND		1

REVISION HISTORY			BASIC PART NO: 7021127						
ENG	ECD NUMBER	REV	SECTION A OF A	DRN:	G. DRAYTON	DATE:	13-SEP-83	D I G I T A L	
	INITIAL	A	SECTION.VARIATION INDEX	CHK'D:	R. HUTNAK	DATE:	13-SEP-83	TITLE PARTS LIST	
			[A]01					BASEPLATE/CHASSIS ASSY	
			[B]	DES.ENG:	R. HUTNAK	DATE:	13-SEP-83	DOCUMENT NUMBER	
			[C]					SIZE	CODE
			[D]	RESP.ENG.:	P. HEARN	DATE:	13-SEP-83	K	PL
			[E]					7021127-0-DBP	A
			[F]	MFG.ENG.:	D. KLOSS	DATE:	13-SEP-83	RELEASE DATE: 23-JAN-84	
			ASSEMBLY NUMBER:	TOP DOCUMENT NUMBER:		FILE NAME:		EDIT #	
			E-AD-7021127-0-0	E-AD-7021127-0-0		Z7598A.PLS		6	

"THIS DRAWING AND THE SPECIFICATIONS CONTAINED HEREIN ARE CONFIDENTIAL AND PROPRIETARY. THEY ARE THE PROPERTY OF DIGITAL EQUIPMENT CORPORATION AND SHALL NOT BE REPRODUCED OR COPIED OR USED IN WHOLE OR IN PART AS THE BASIS FOR THE MANUFACTURE OR SALE OF ITEMS WITHOUT WRITTEN PERMISSION. THIS IS AN UNPUBLISHED WORK PROTECTED UNDER THE FEDERAL COPYRIGHT LAWS."